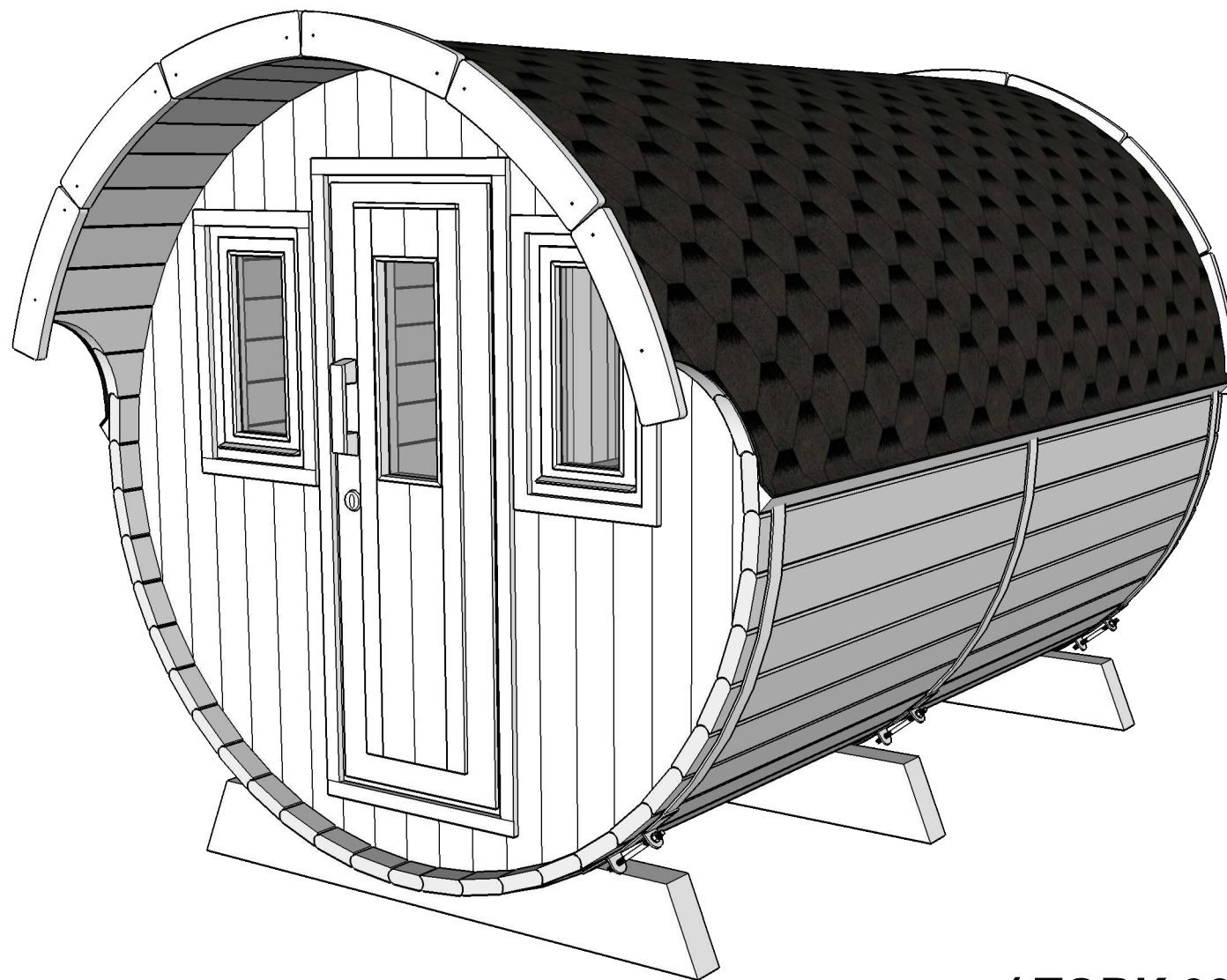


# Camping Barrel 330, Ø210/28

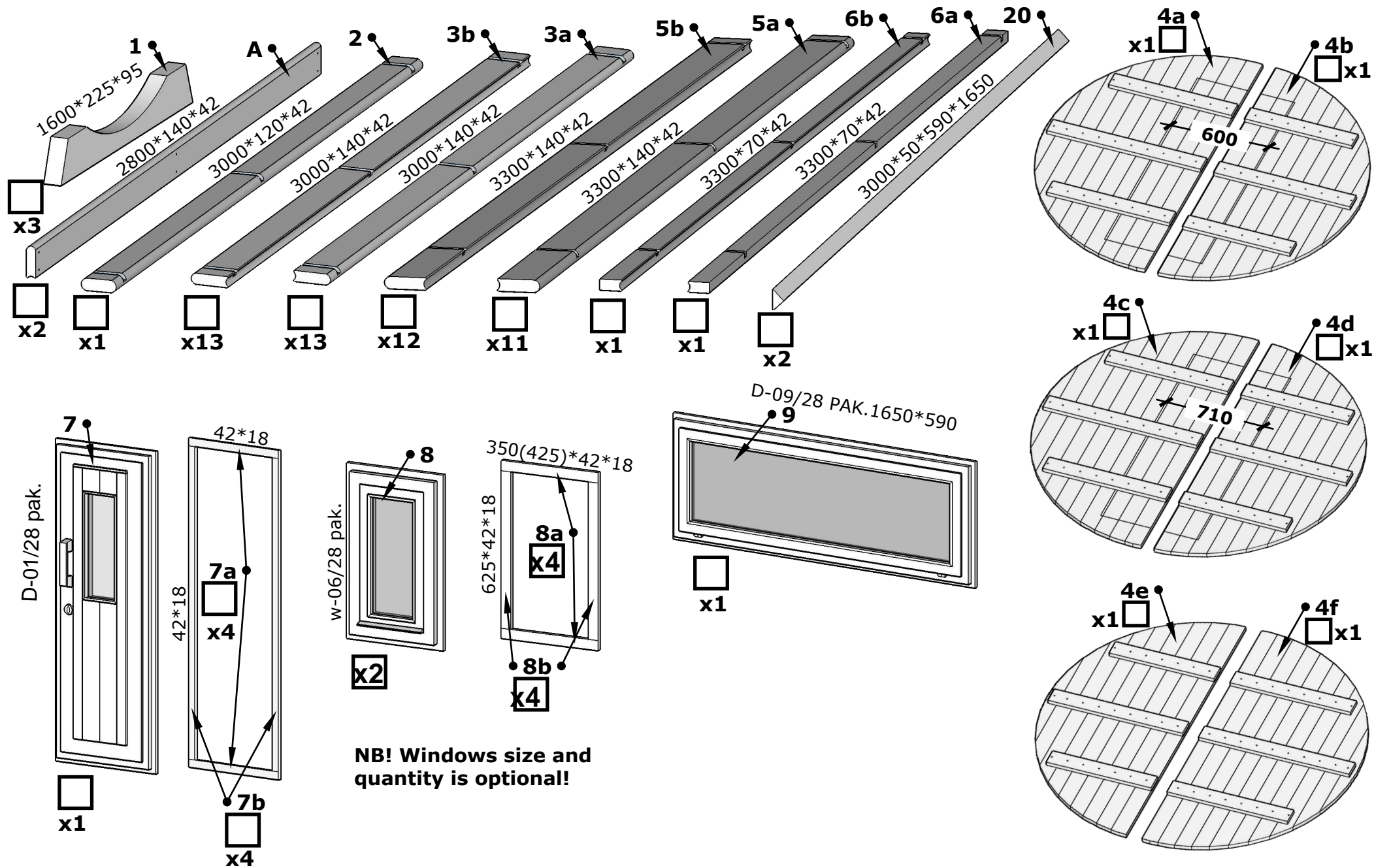


( TORK 001 )

( TORK 001 )

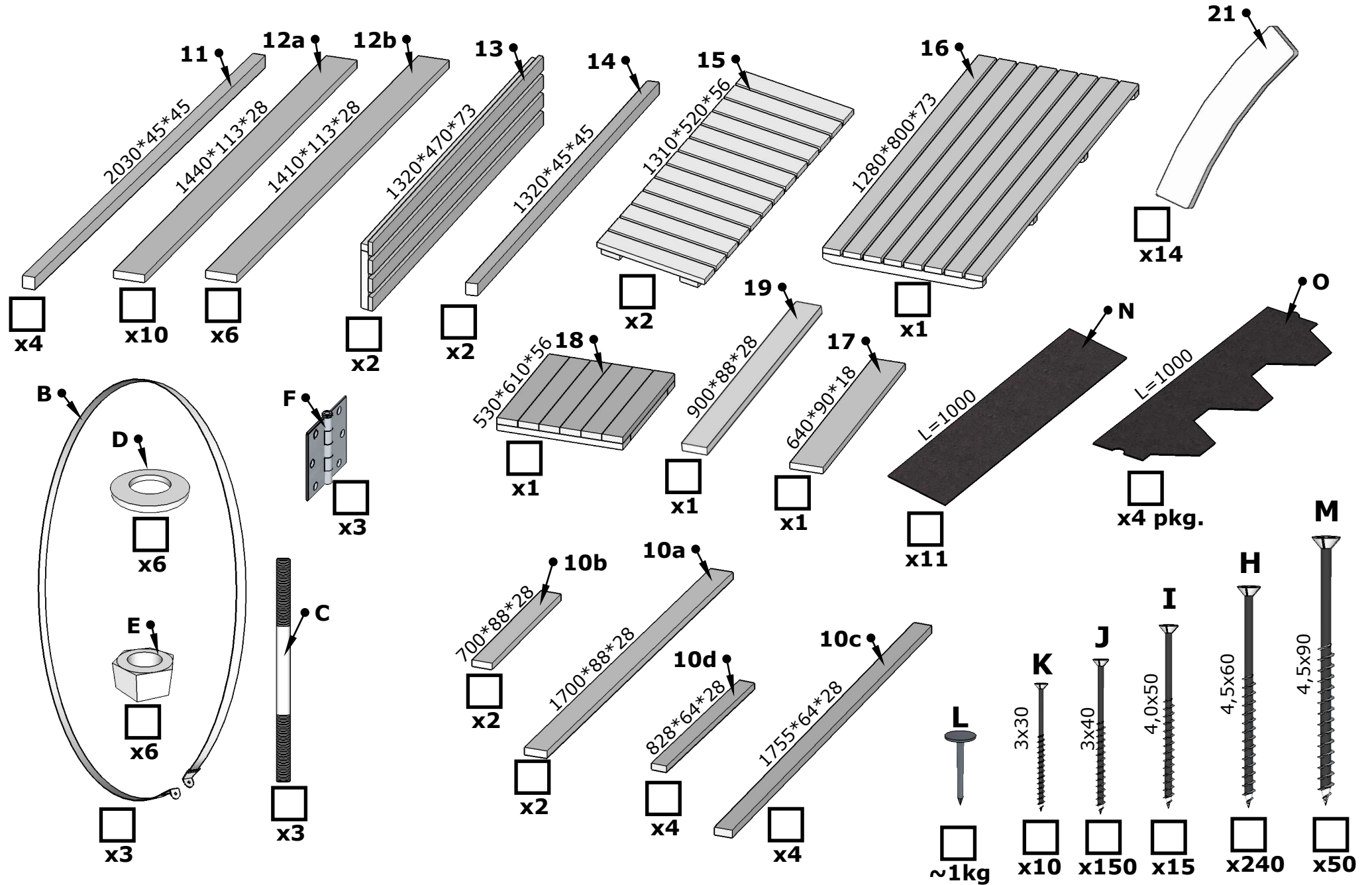
# Camping Barrel 330, D 210

## Details list nr.1



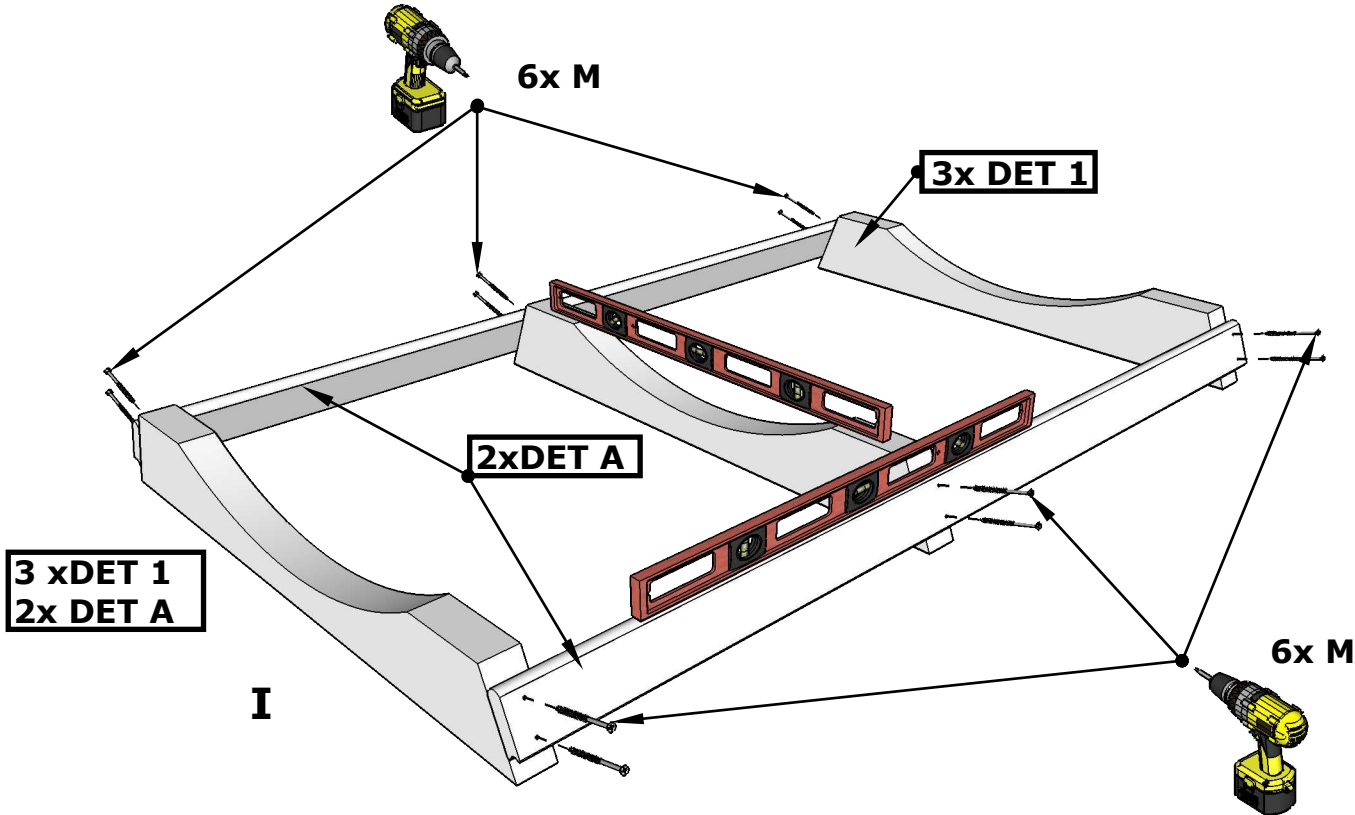
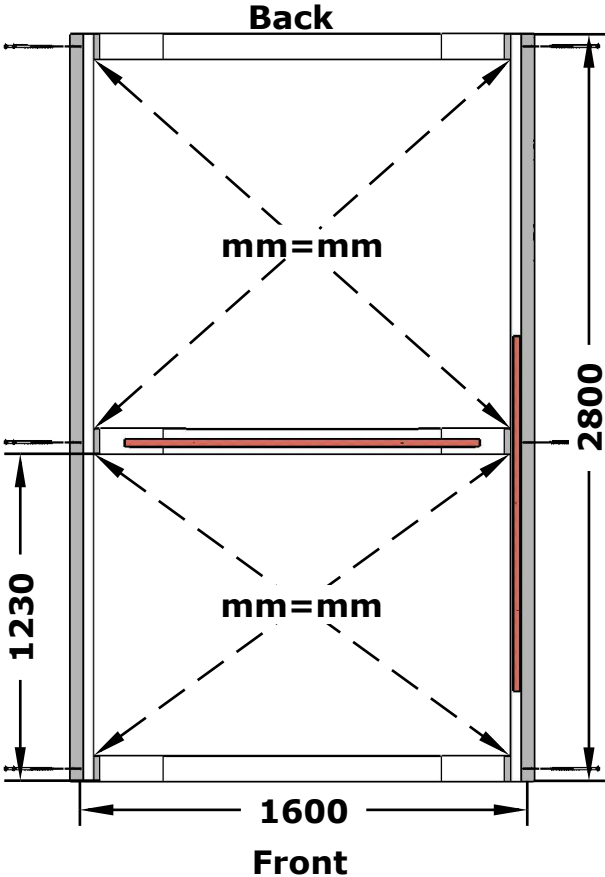
# Camping Barrel 330, D 210

## Details list nr.2



( TORK 001 )

# Camping 330, Ø210



1.

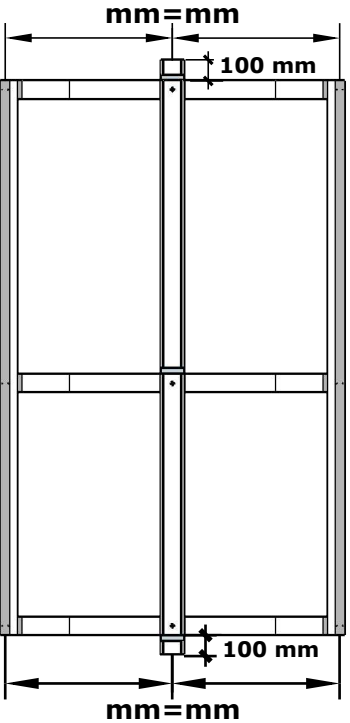
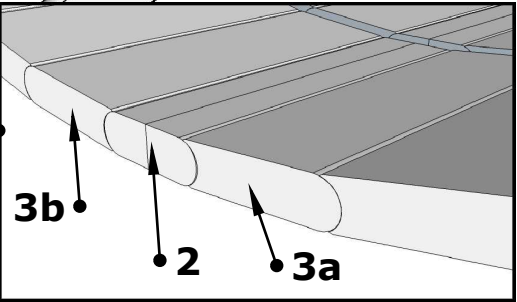
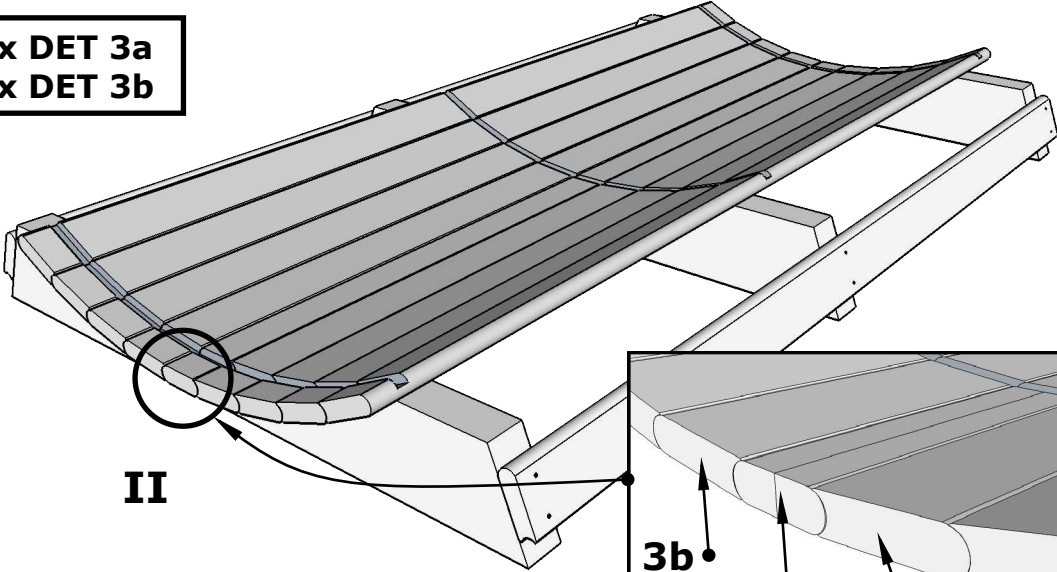
( TORK 001 )



# Camping 330, Ø210



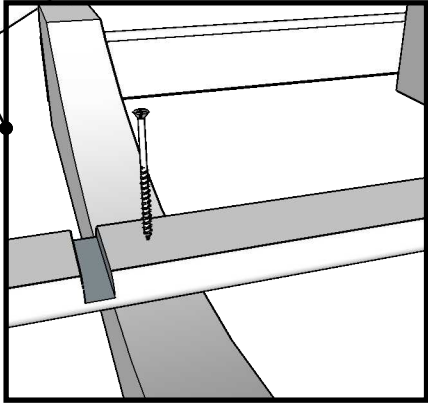
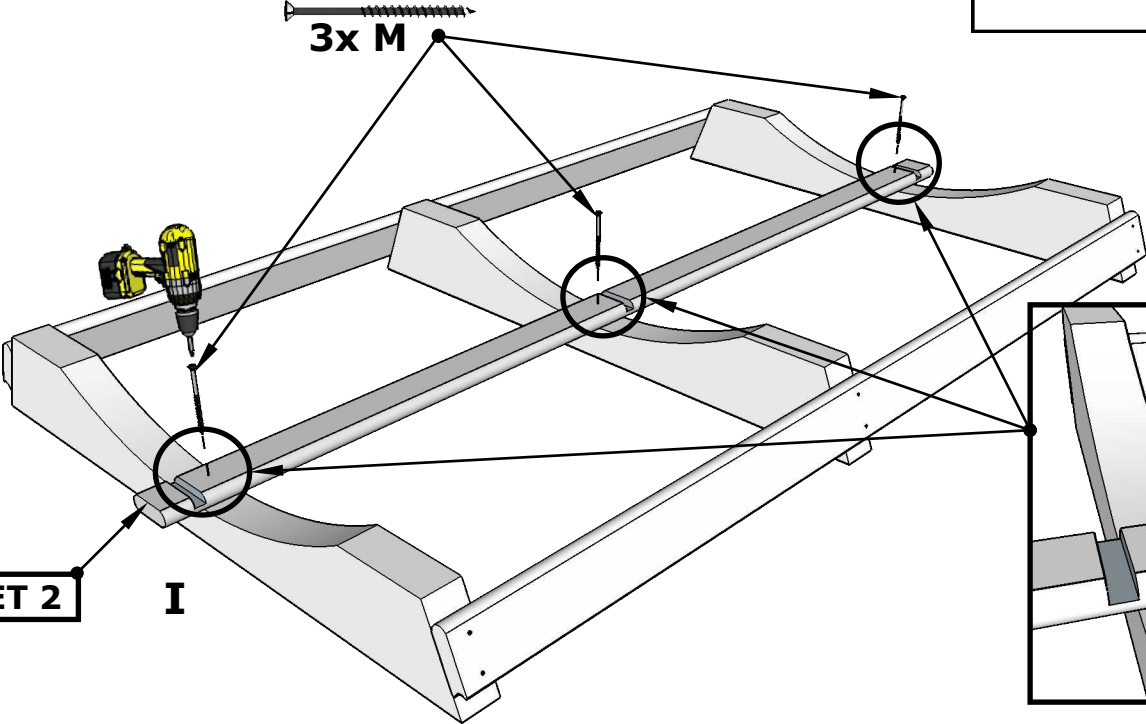
4 x DET 3a  
4 x DET 3b



1xDET 2

I

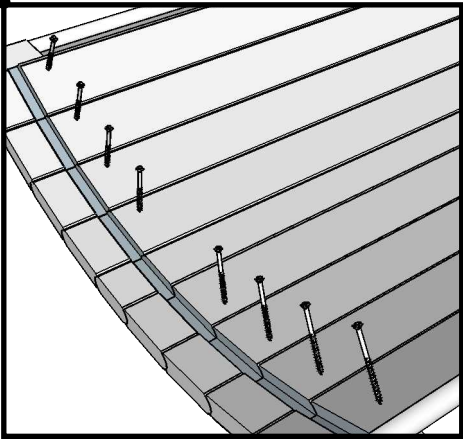
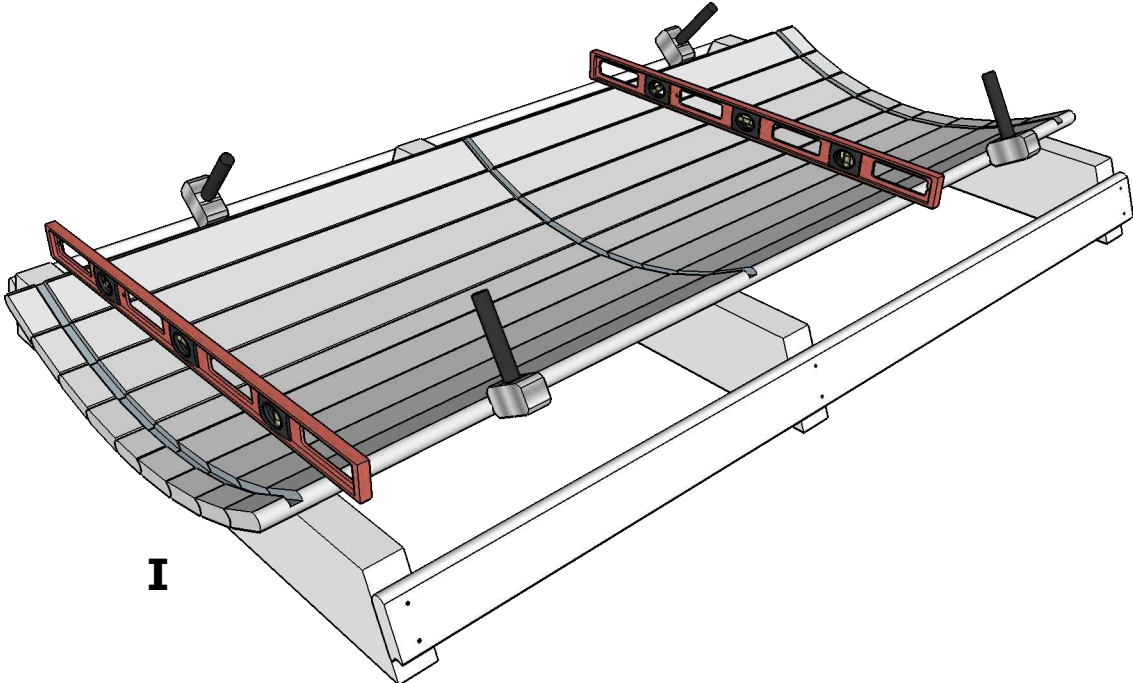
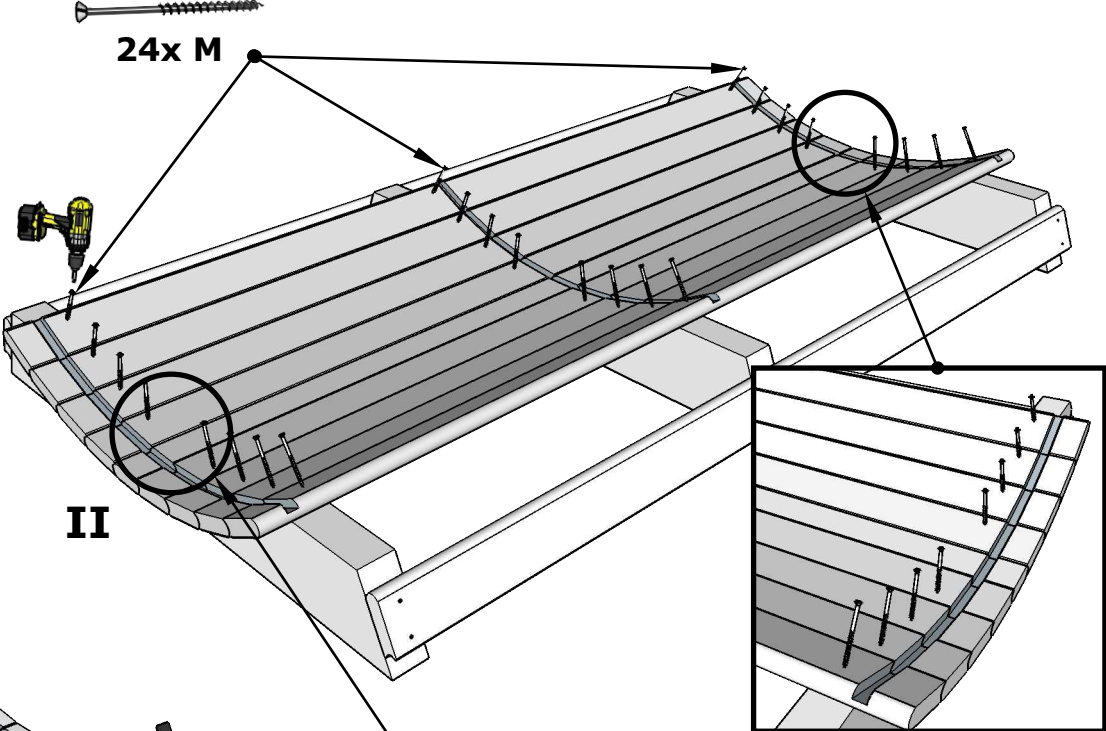
3x M



2.

( TORK 001 )

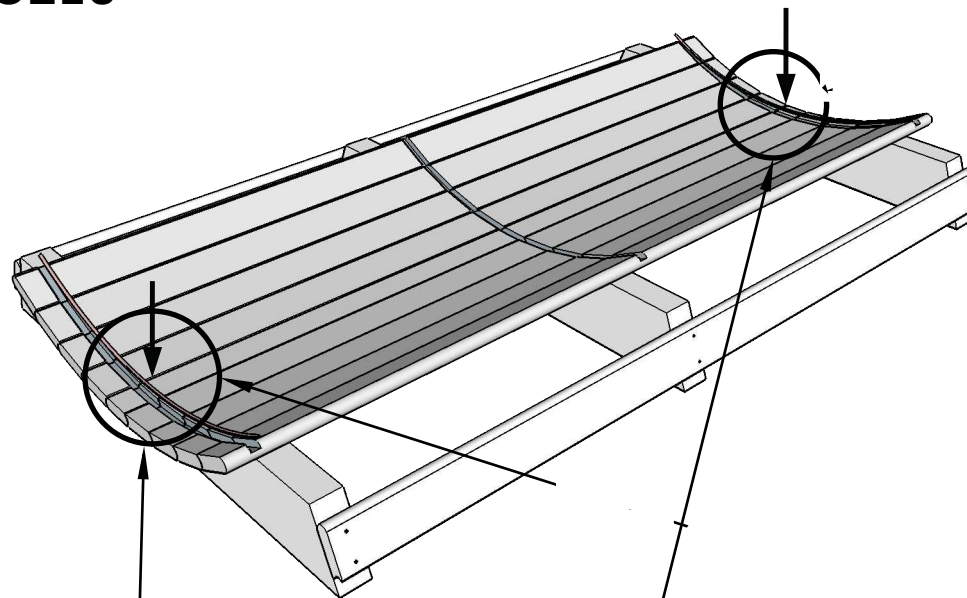
# Camping 330, Ø210



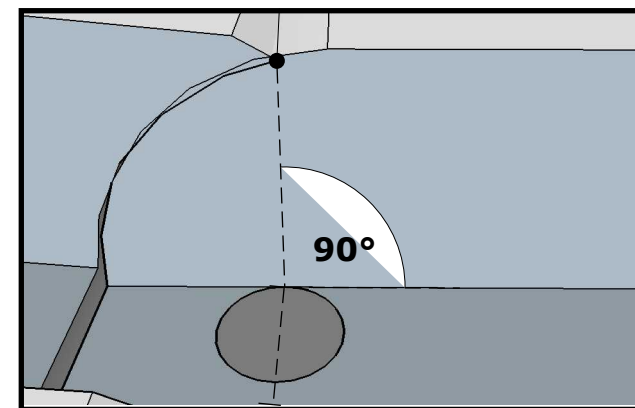
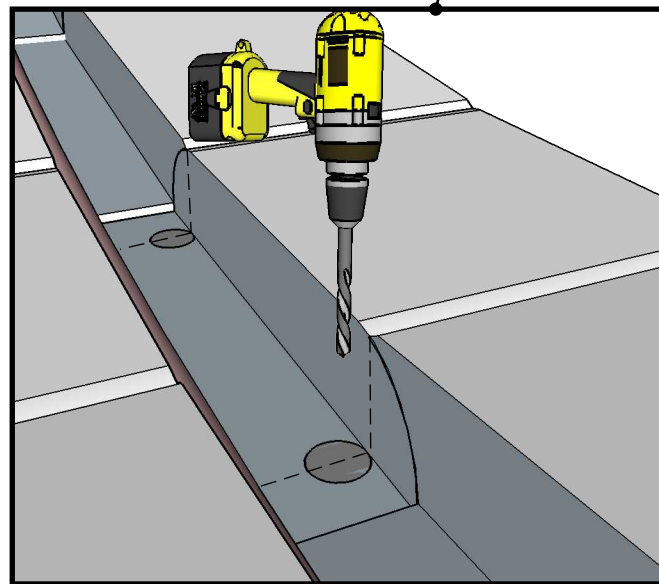
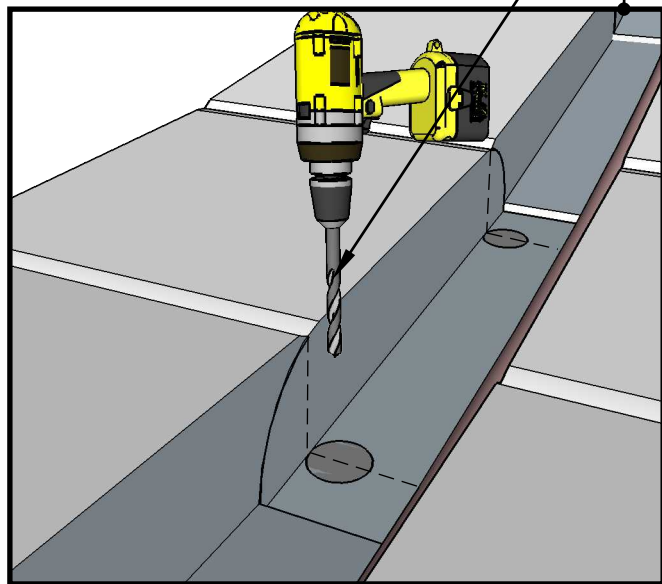
**3.**

( TORK 001 )

# Camping 330, Ø210



Drill 4 holes  
in DET 2 Ø10 mm

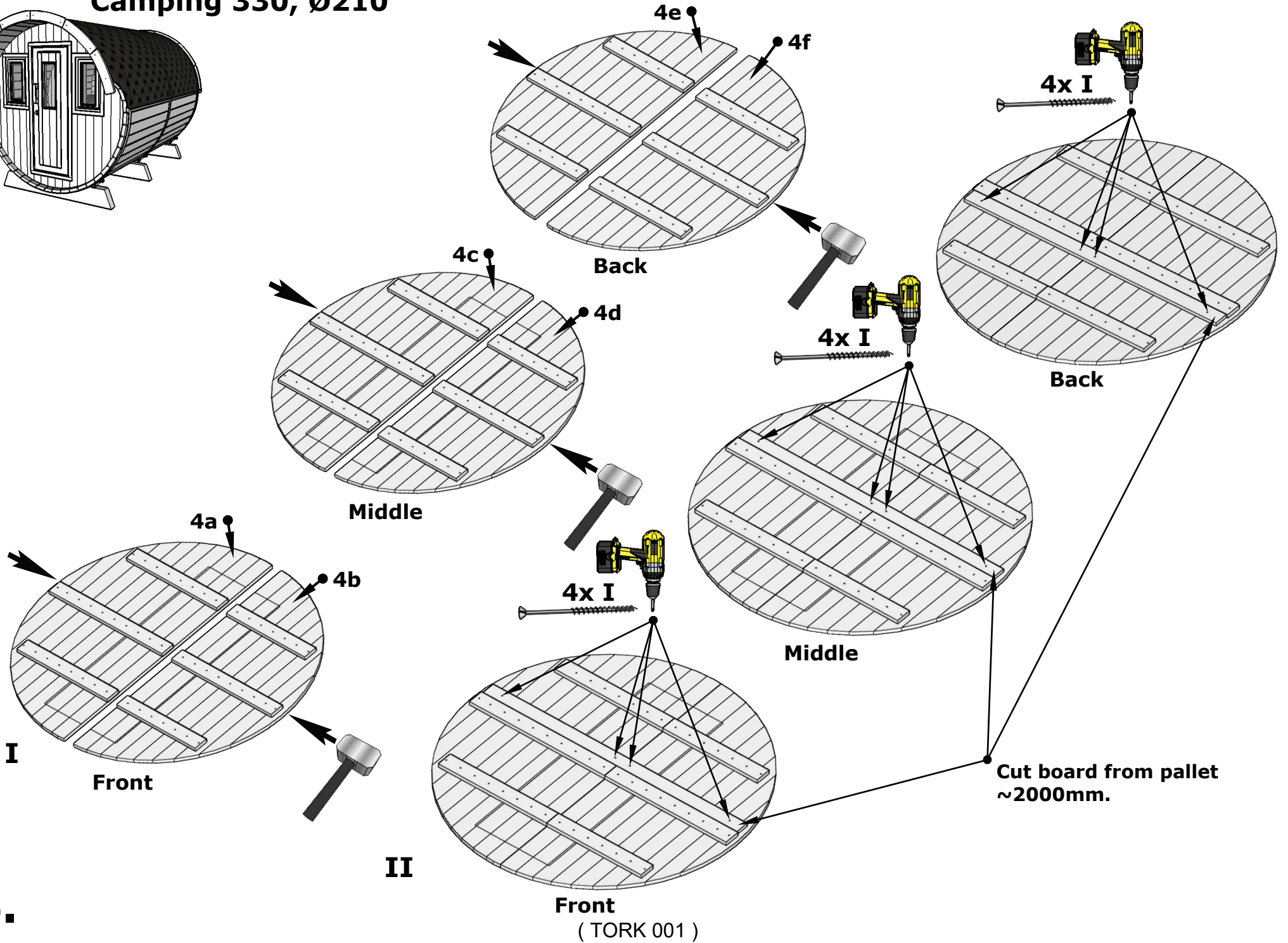


**3A.**

( TORK 001 )



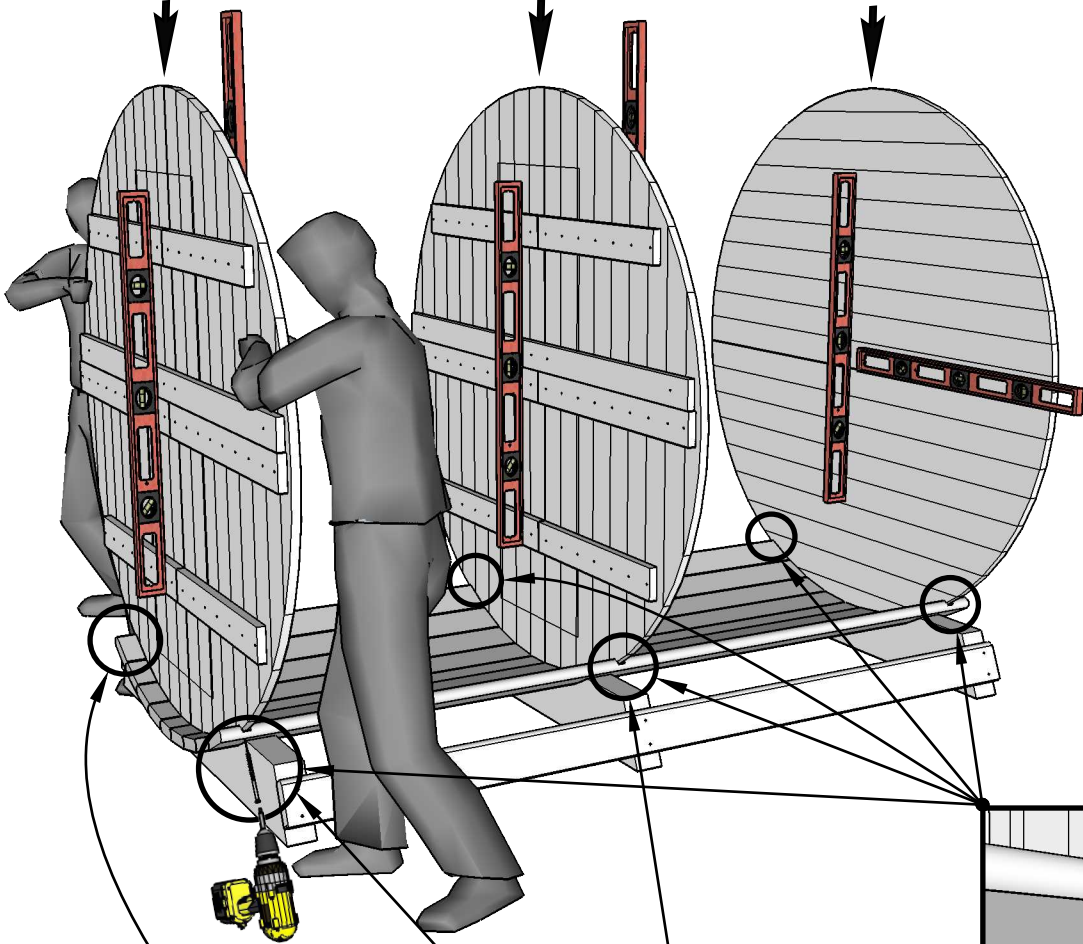
# Camping 330, Ø210



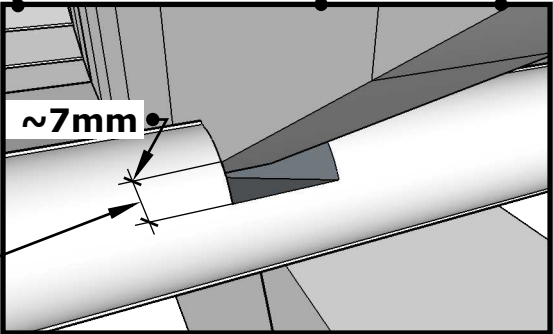
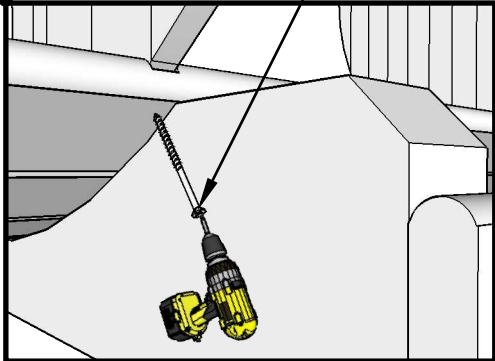
4.



# Camping 330, Ø210



6x H



**NB! Don't leave space if using thermo wood**

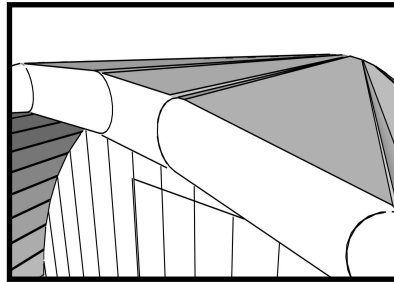
**5.**

( TORK 001 )

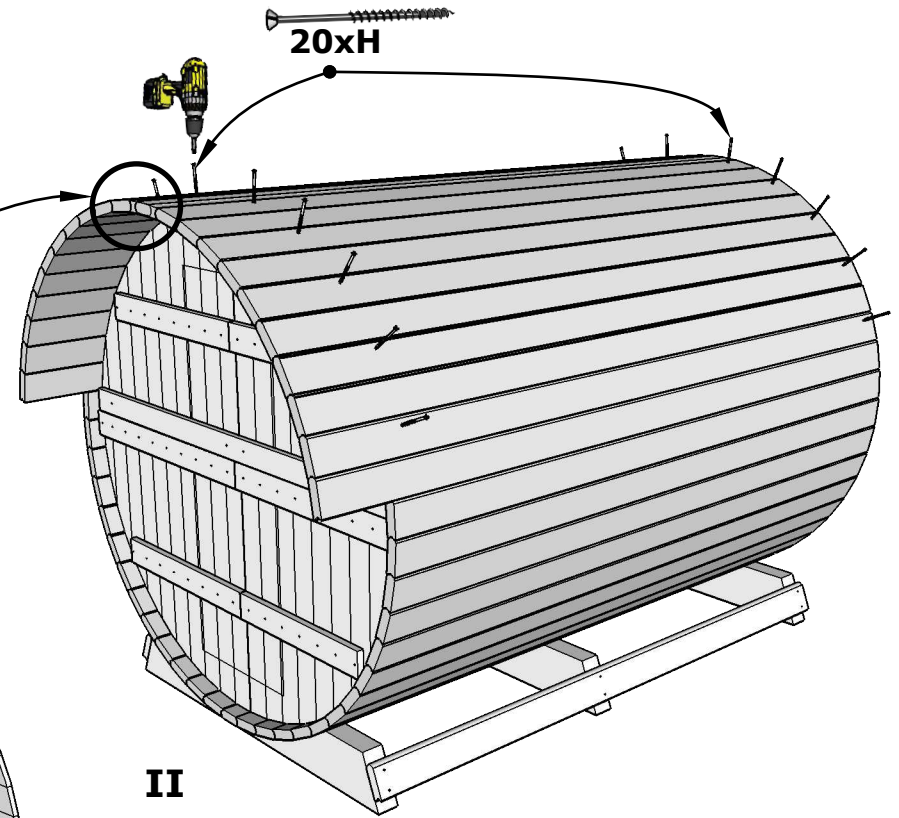
# Camping 330, Ø210



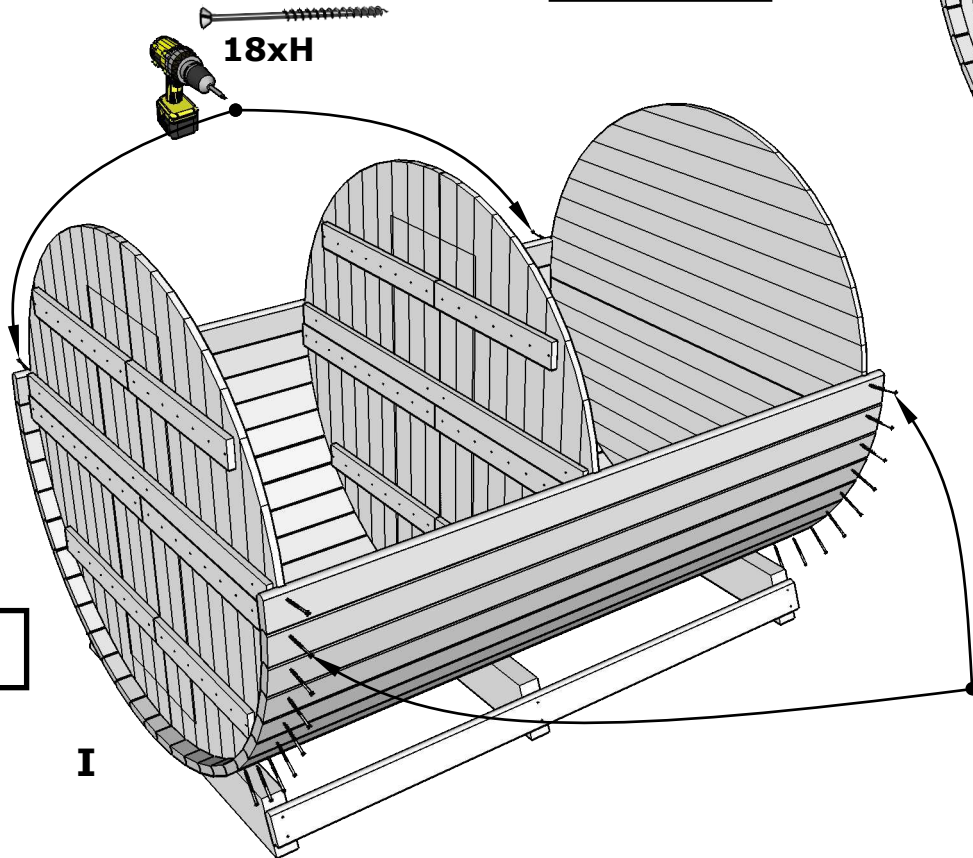
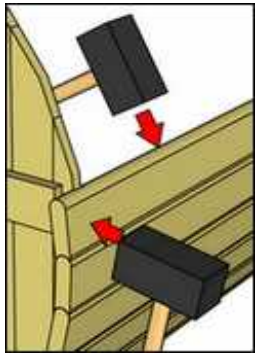
Watch Page 6A



12x DET 5b  
11x DET 5a

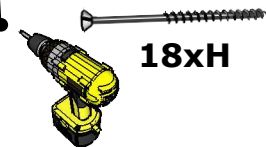


II



9x DET 3a  
9x DET 3b

I

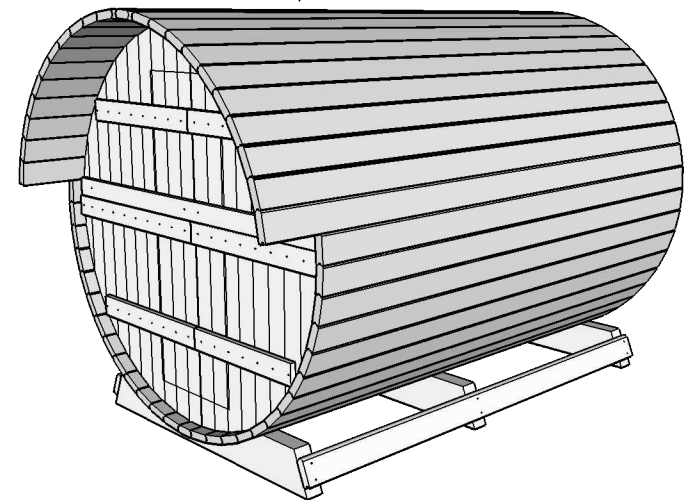
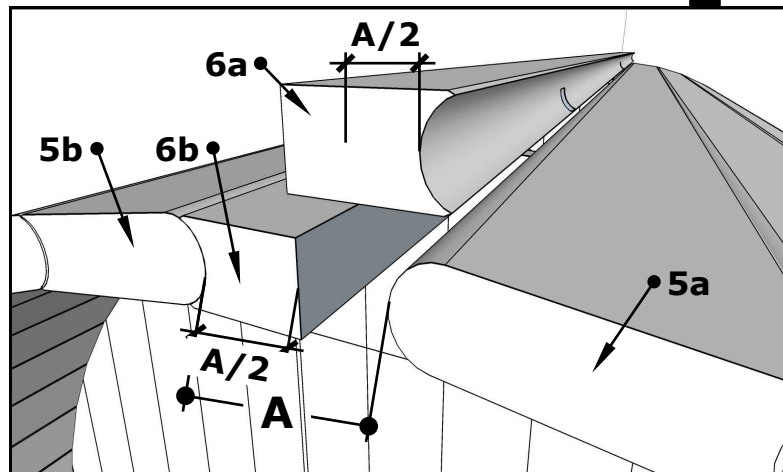
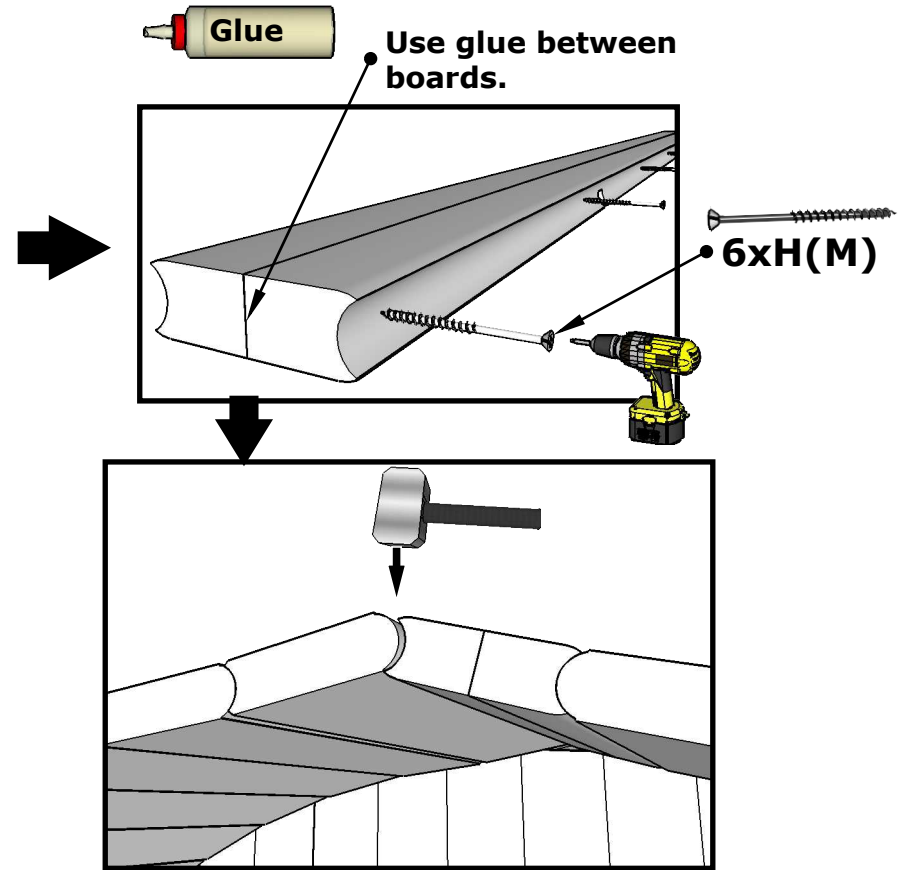
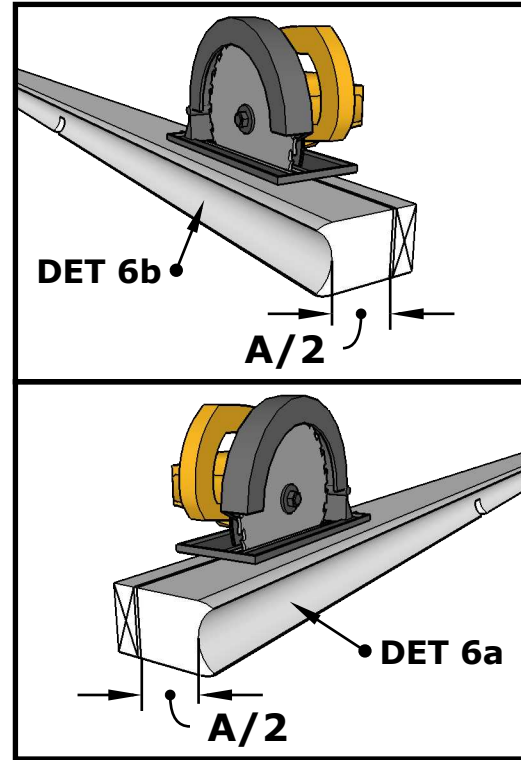
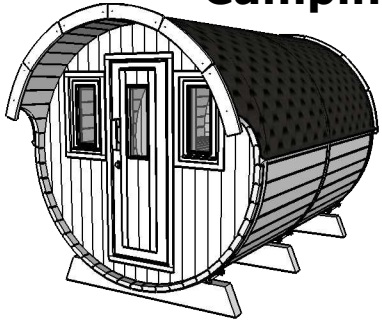


18xH

6.

( TORK 001 )

# Camping 330, Ø210



**6A.**

( TORK 001 )

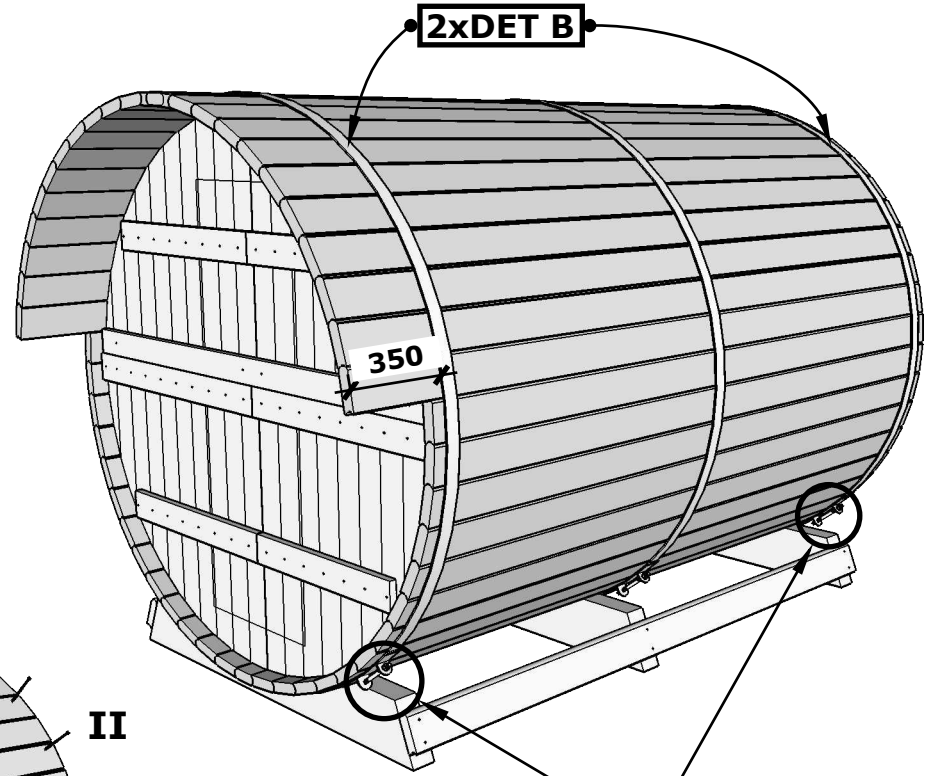
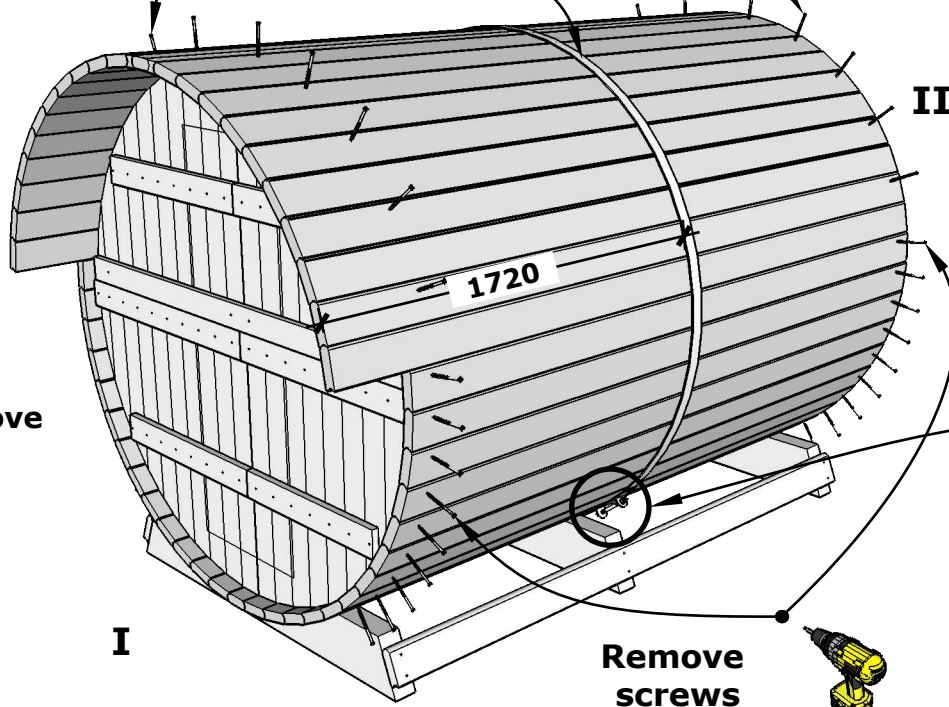


# Camping 330, Ø210



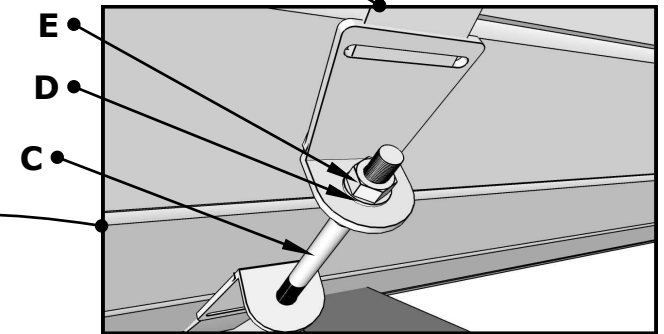
Remove screws

1xDET B



2xDET B

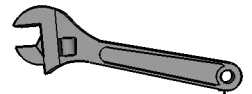
NB! Don't remove screws, if using thermo wood!



Remove screws

(TORK 001)

7.





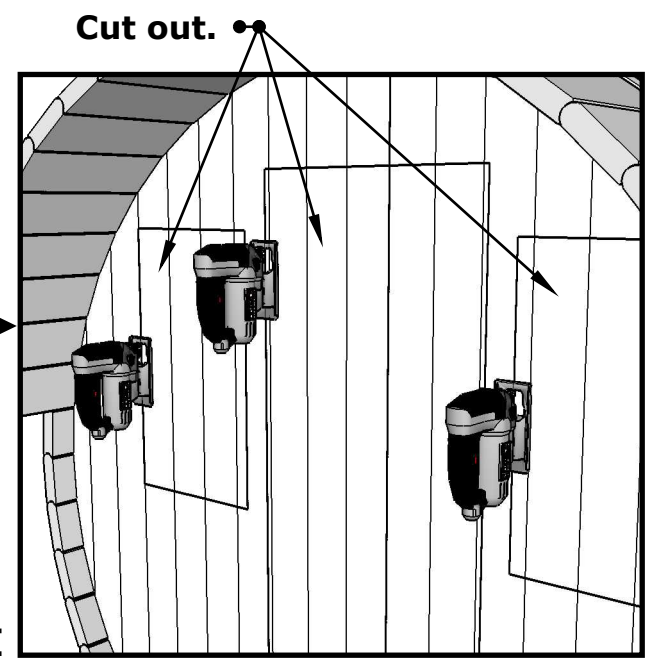
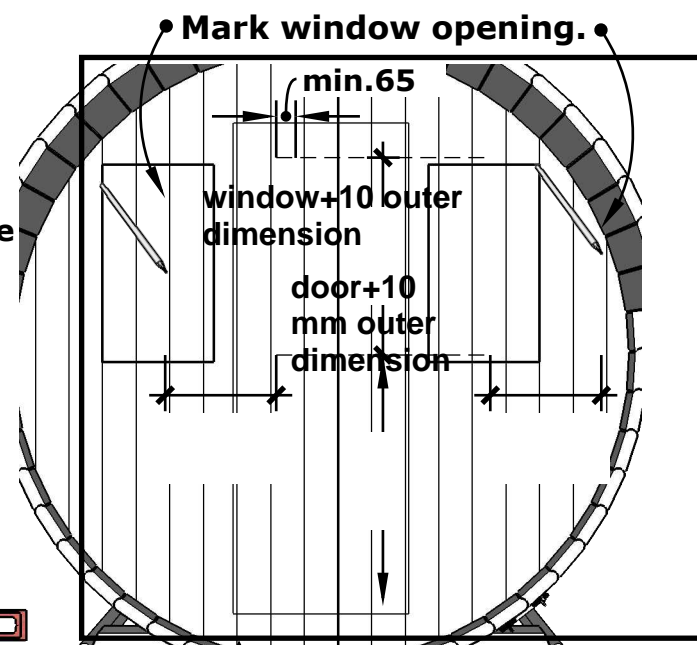
# Camping 330, Ø210



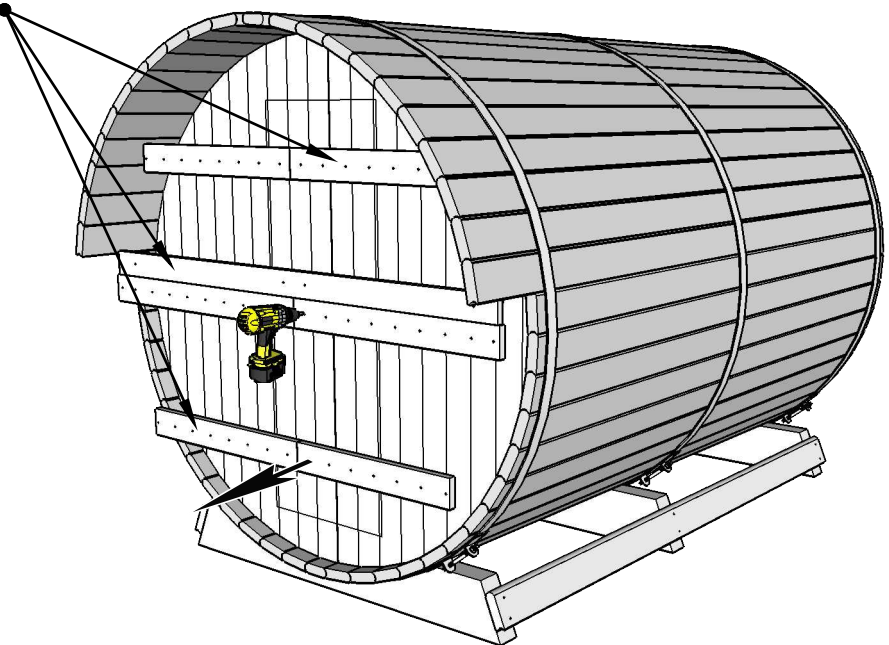
**NB! Window size depending on your model.**

**NB! add 10 mm. outer dimension windows and door**

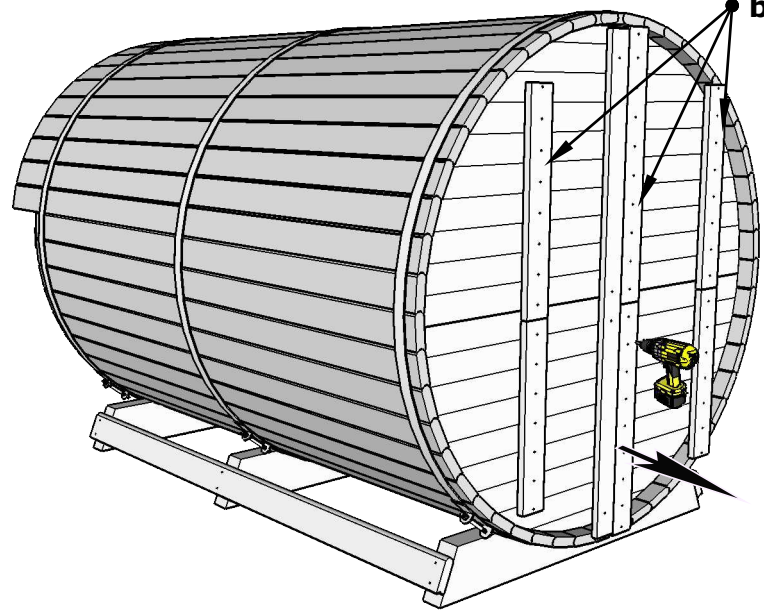
**NB! Use waterlevel.**



**Remove all brackets**



**Remove all bracket**



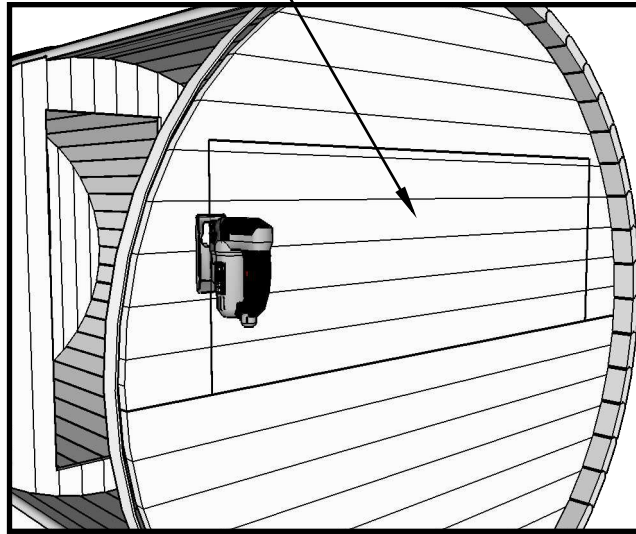
# Camping 330, Ø210



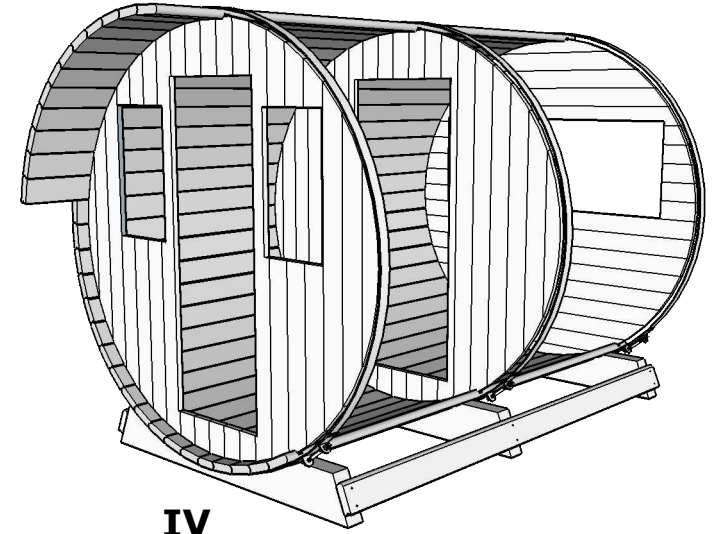
**NB! Use waterlevel.**



**Cut out.**

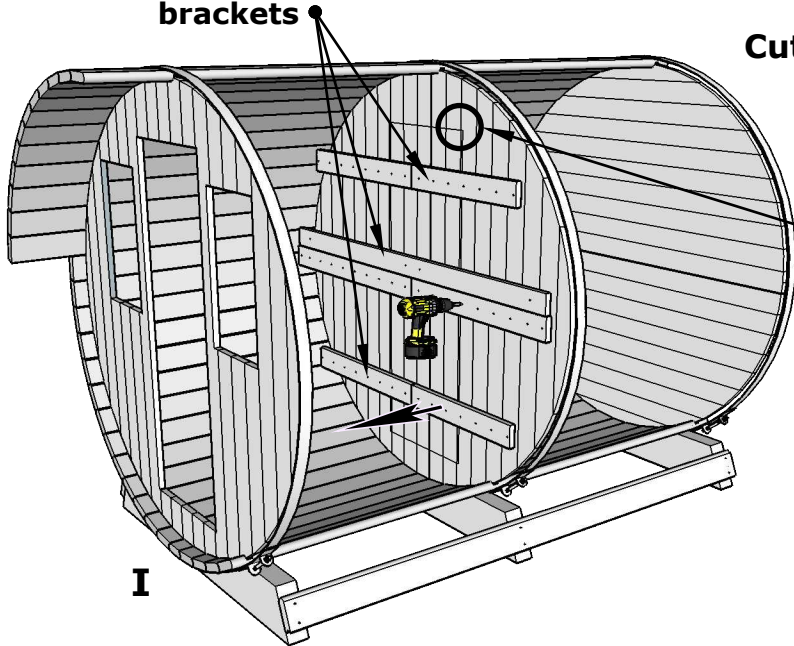


**III**



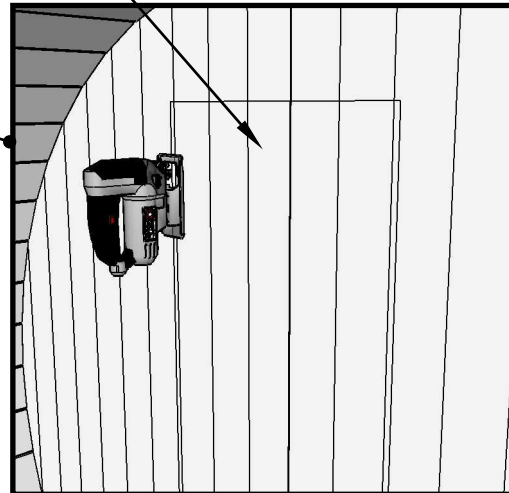
**IV**

**Remove all brackets**

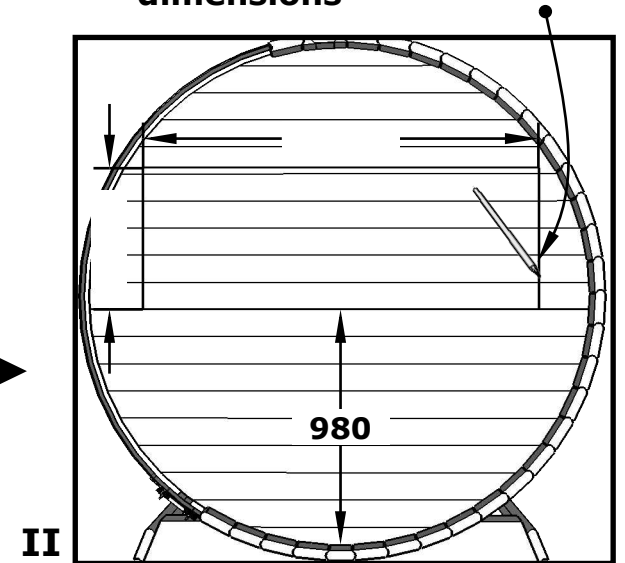


**I**

**Cut out.**



**Mark window opening.**  
**NB ! add 10 mm**  
**window outer**  
**dimensions**



**II**

**9.**

( TORK 001 )

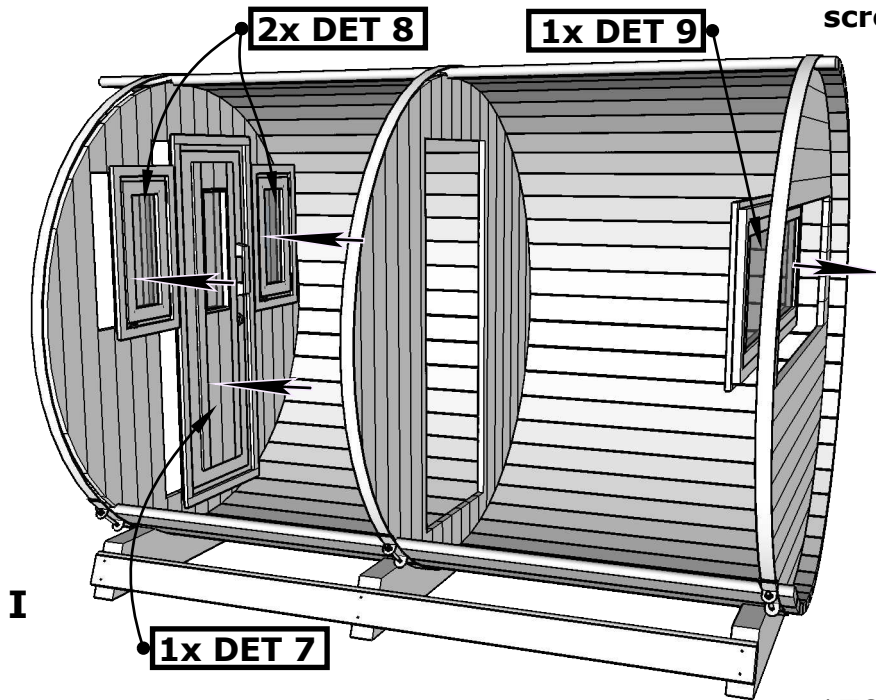
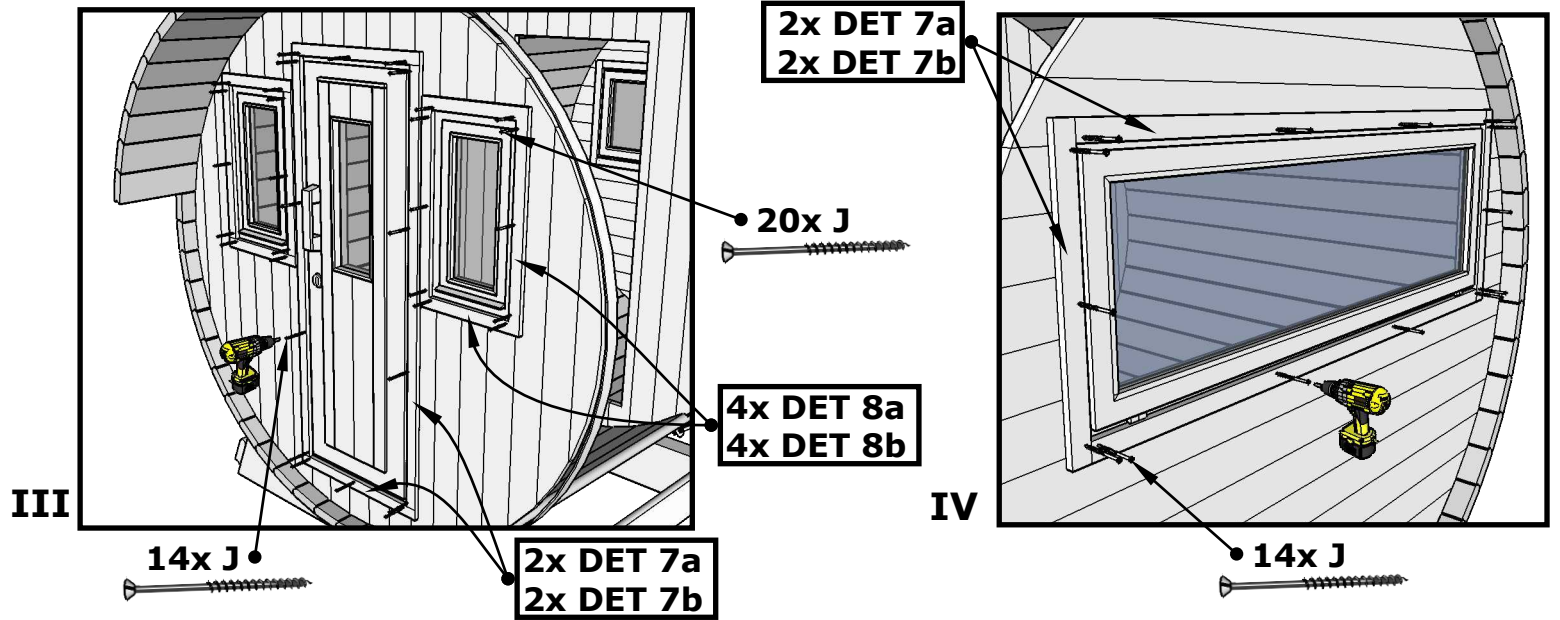
# Camping 330, Ø210



**NB! Use waterlevel for door and window install.**

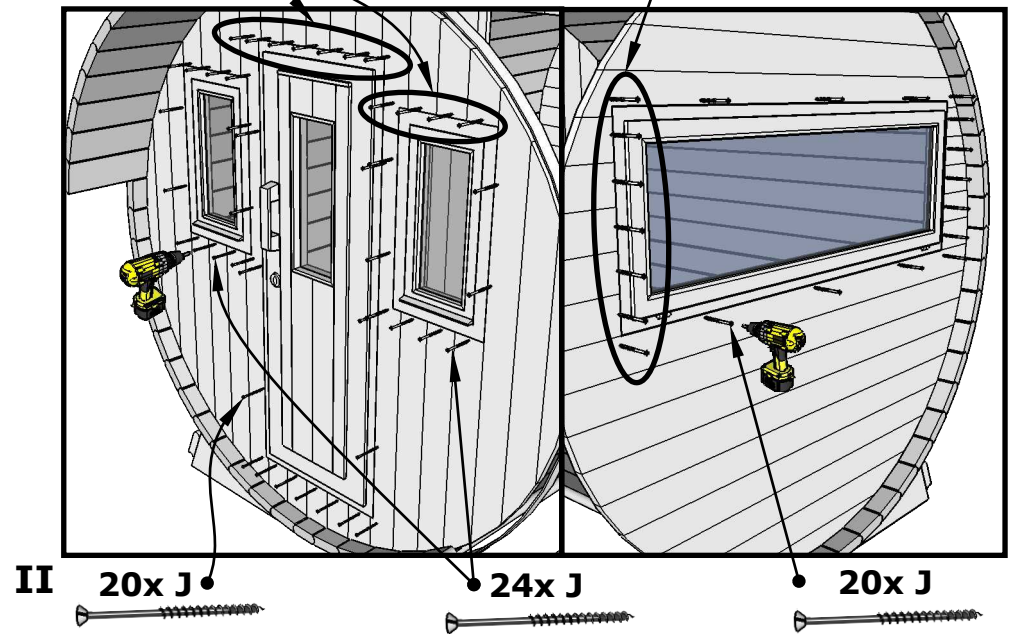


**NB! Place door and windows from inside.**



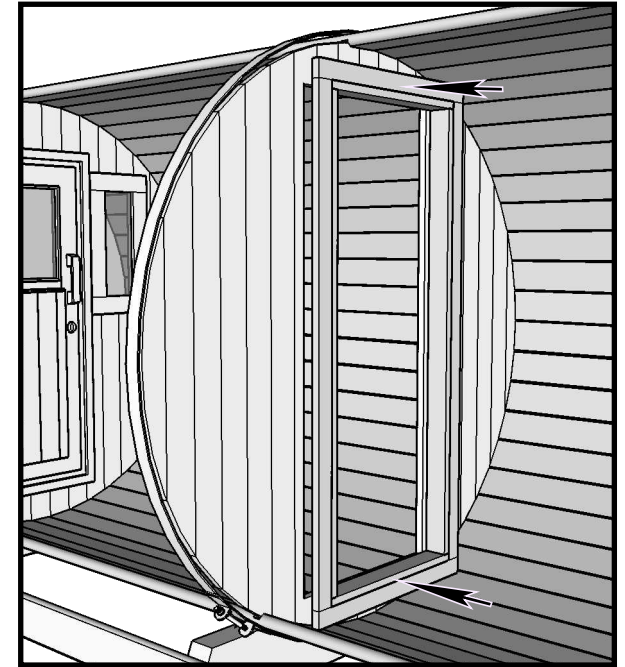
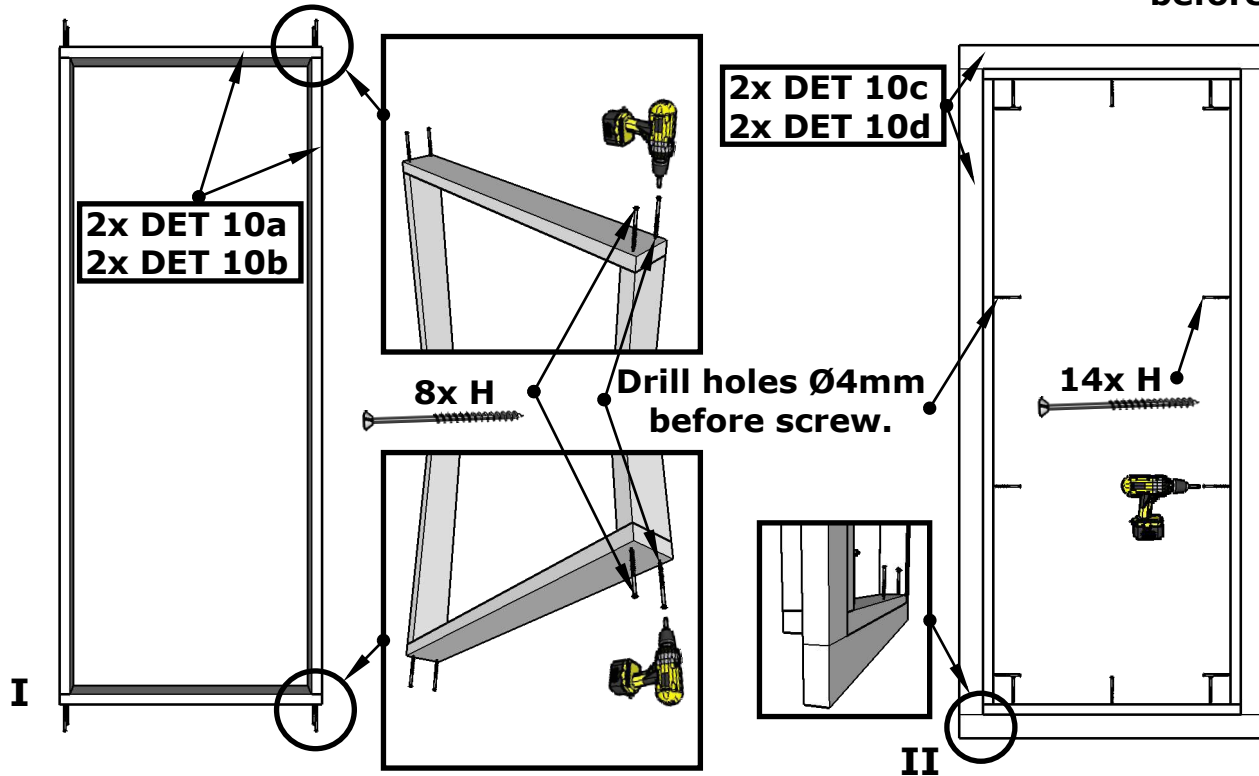
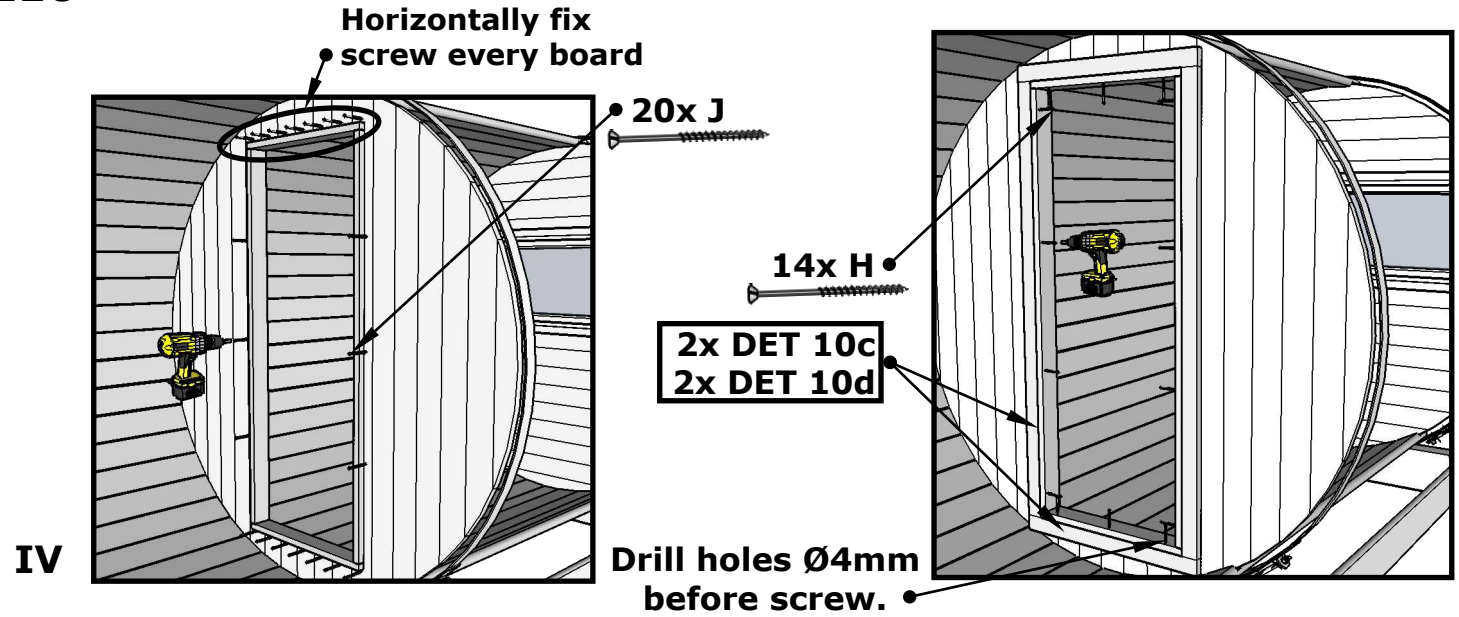
**Horizontally fix screw in every board**

**Vertically fix screw in every board**





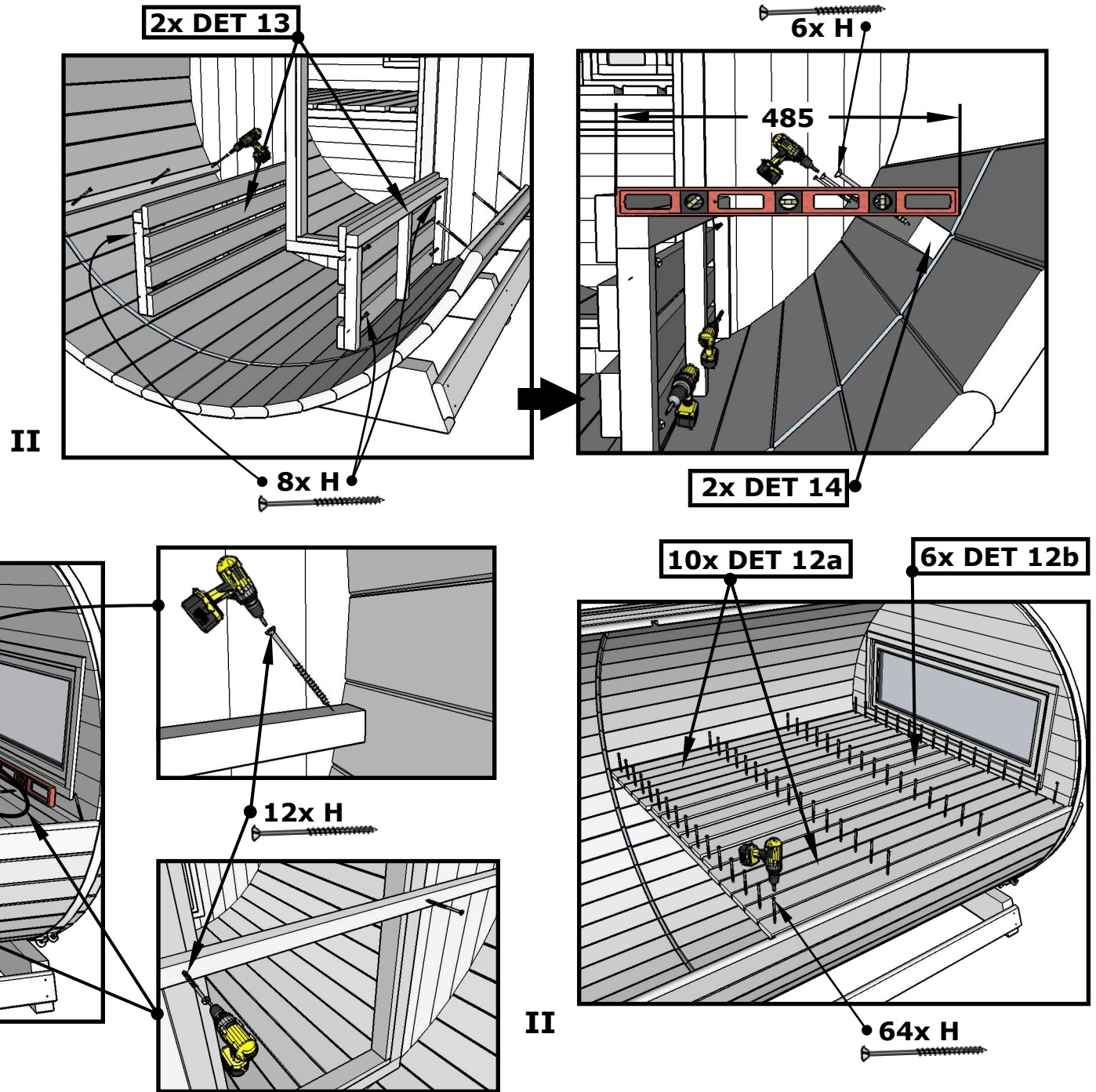
# Camping 330, Ø210



**11.**



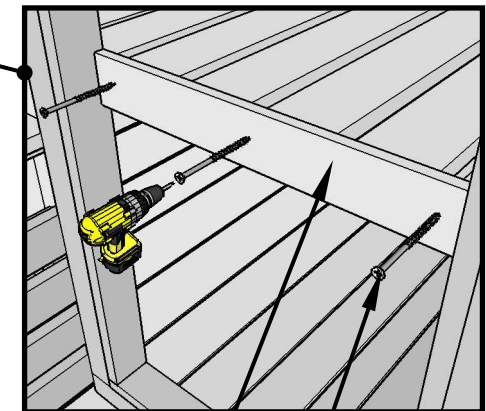
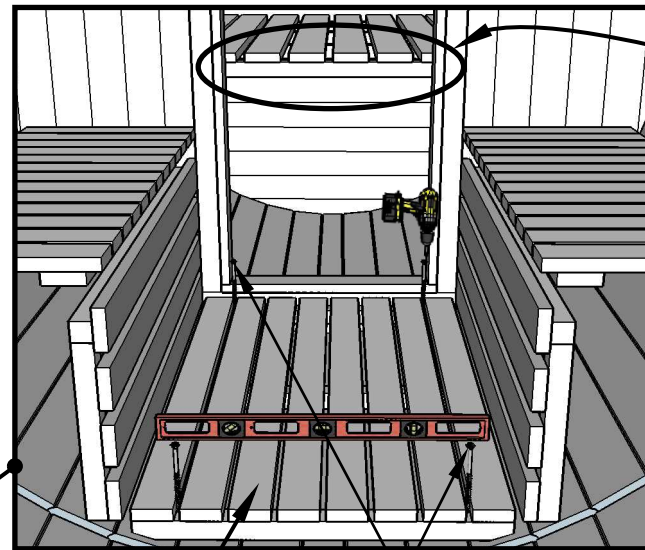
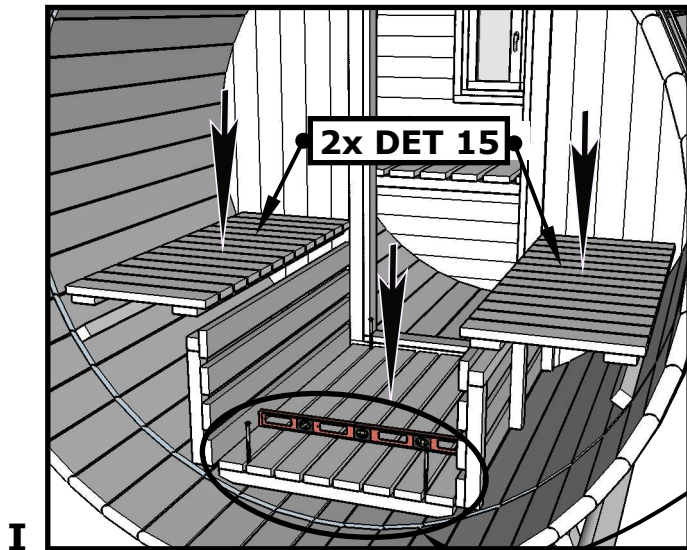
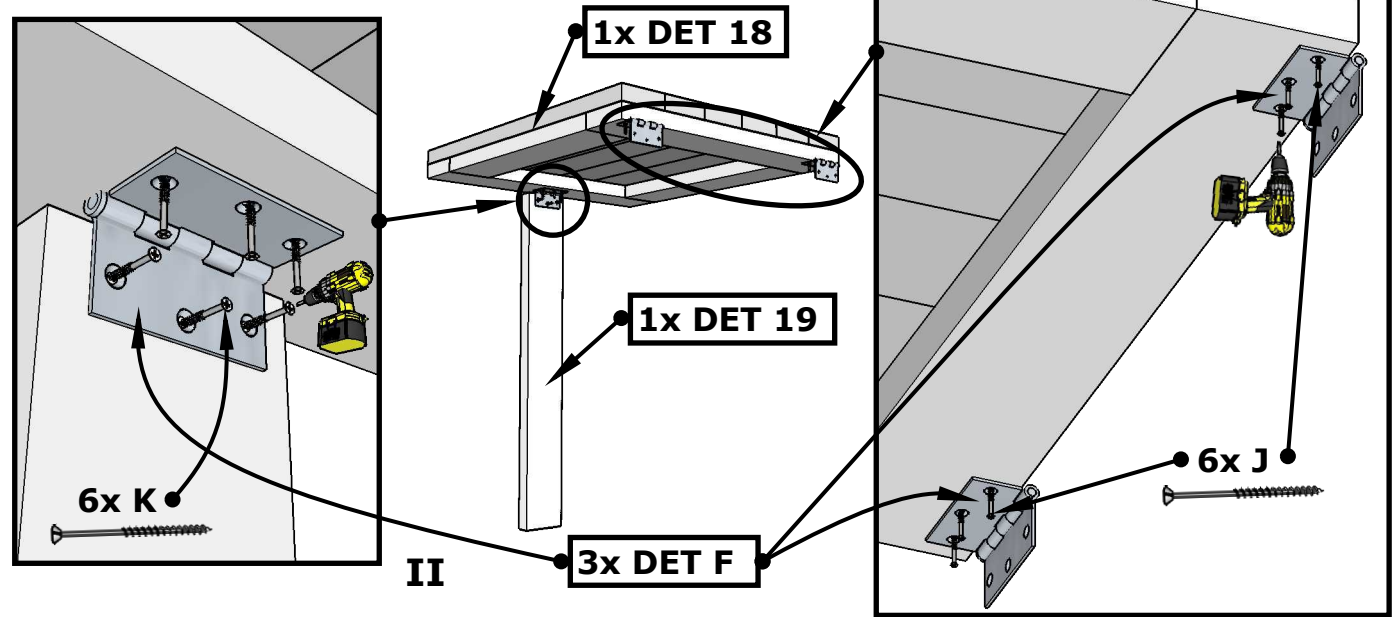
# Camping 330, Ø210



12.

( TORK 001 )

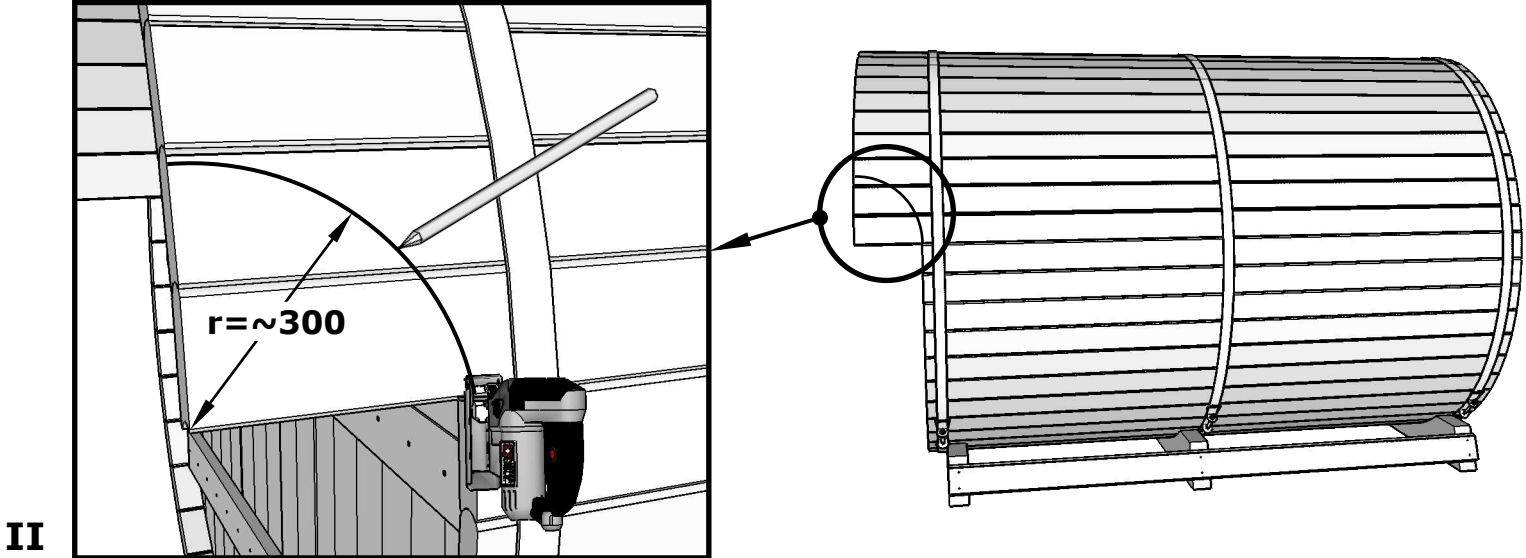
# Camping 330, Ø210



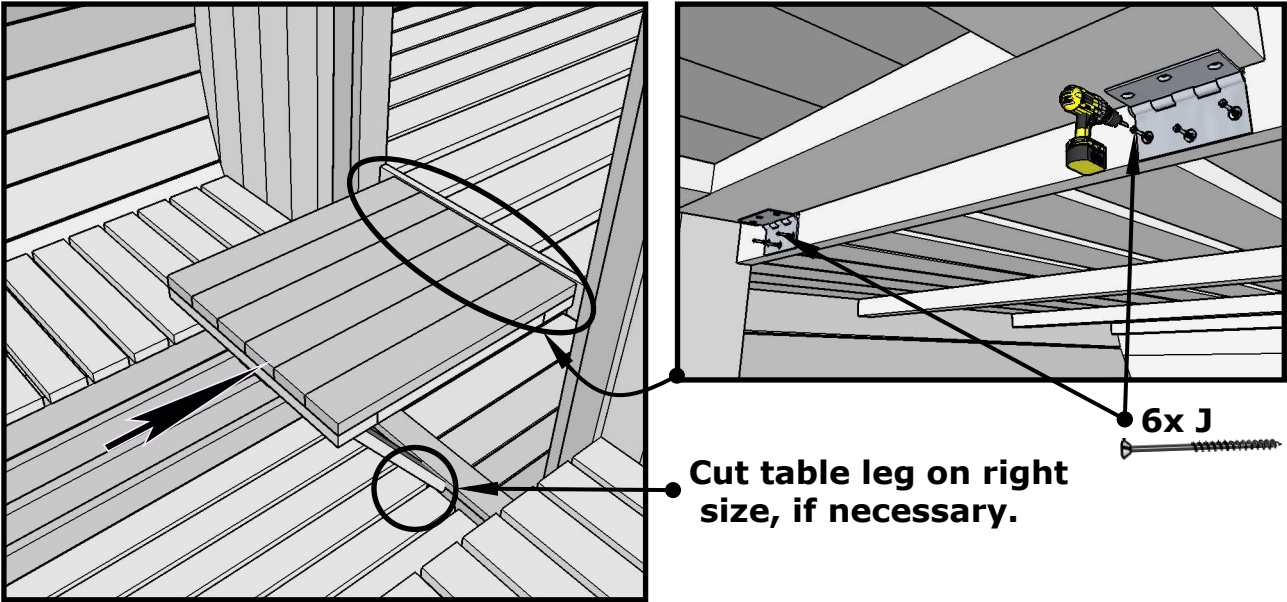
13.

( TORK 001 )

# Camping 330, Ø210



II



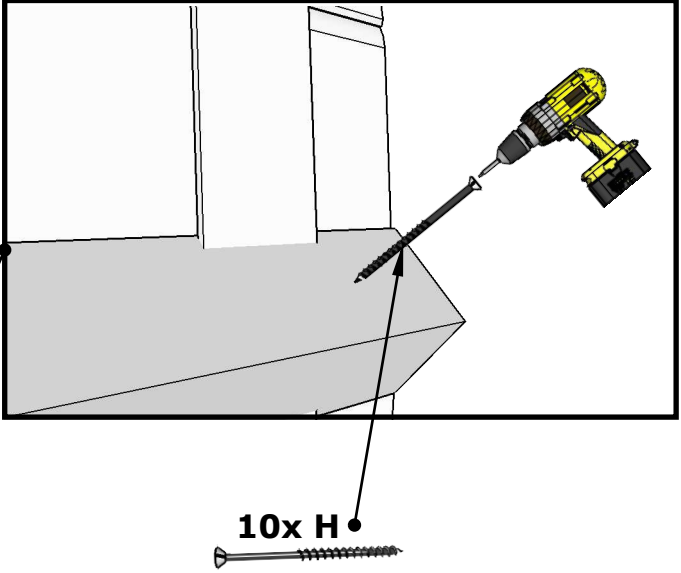
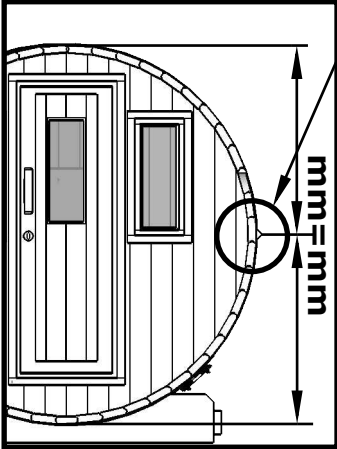
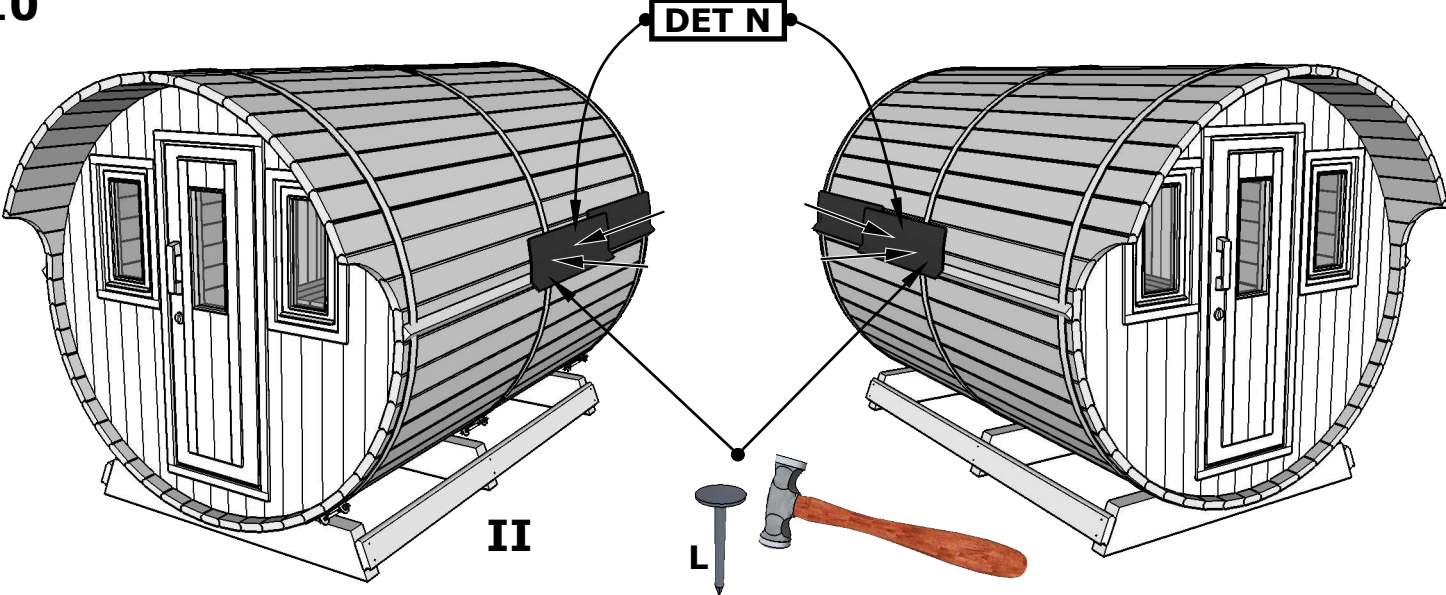
I

Cut table leg on right size, if necessary.

6x J



# Camping 330, Ø210

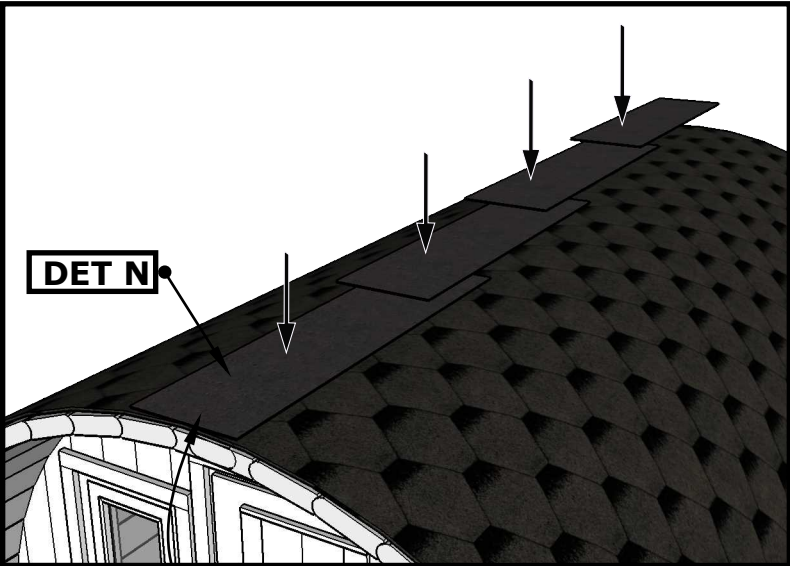




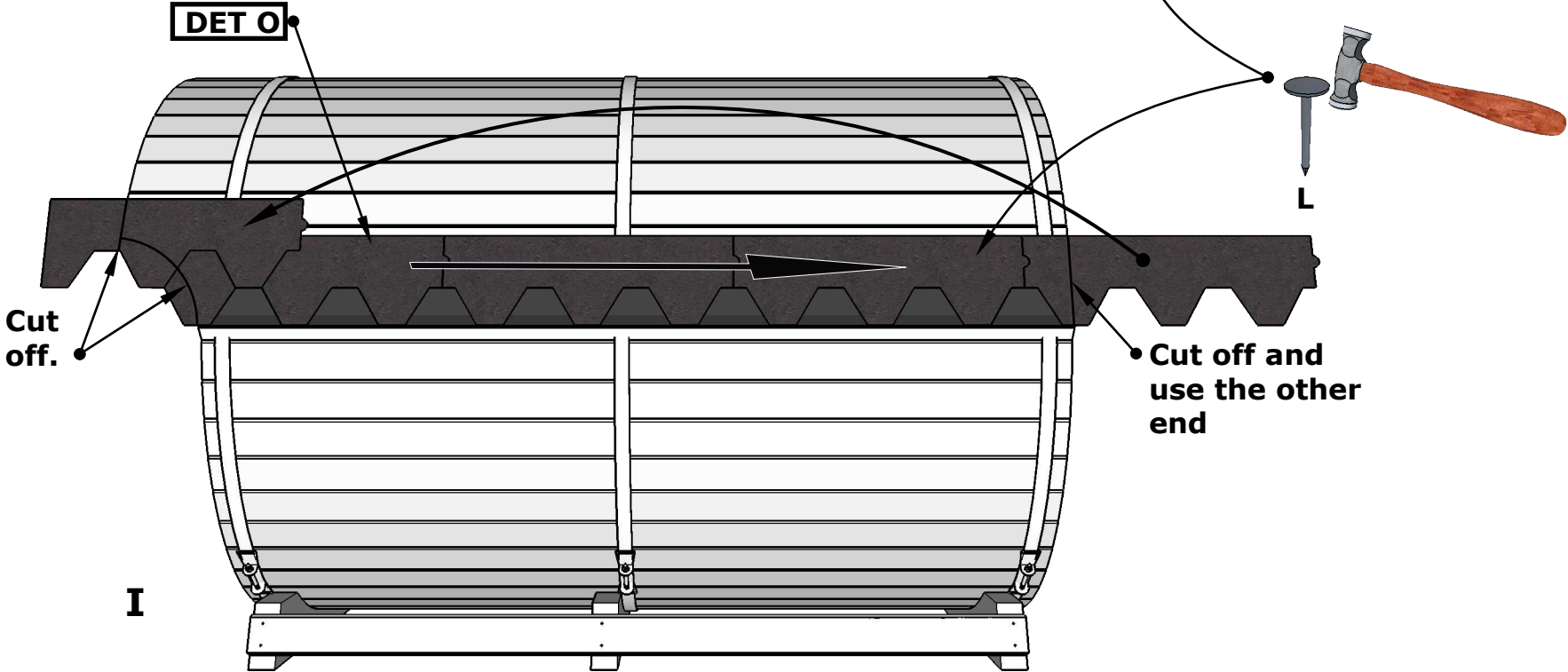
# Camping 330, Ø210



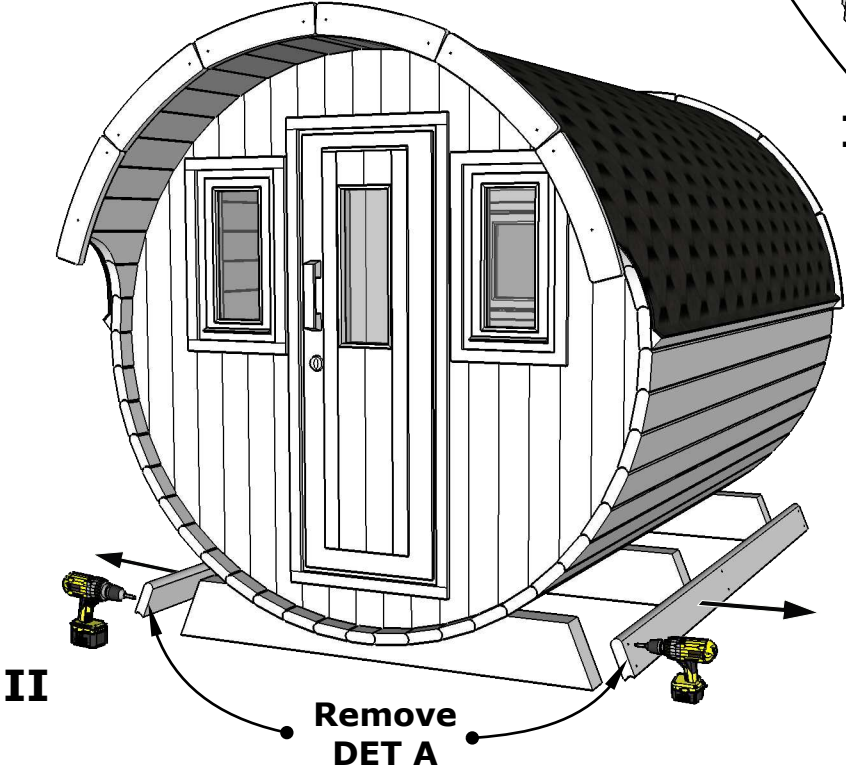
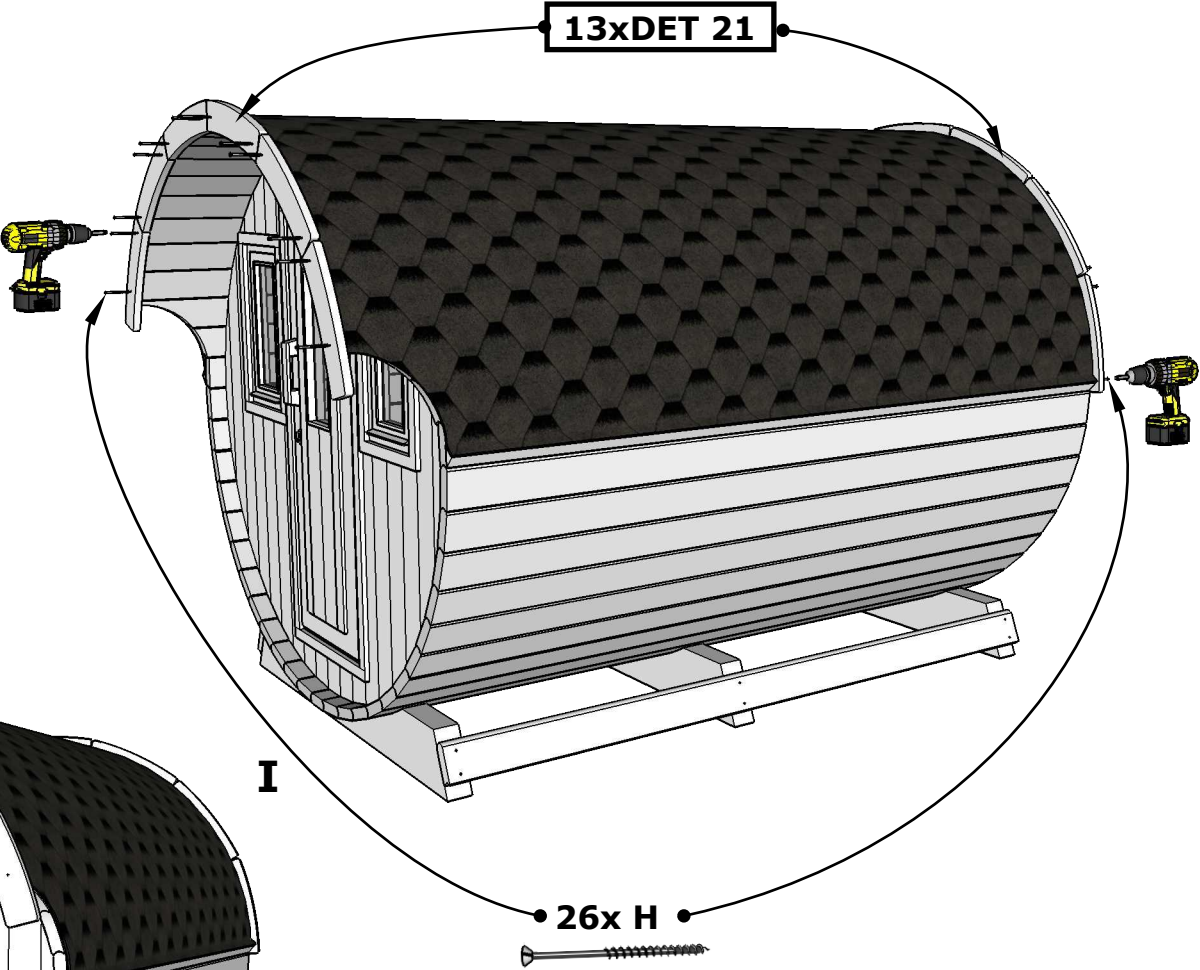
**NB! Check also shingles installation manual inside shingles packages.**



**II**



Camping 330, Ø210



17.

( TORK 001 )