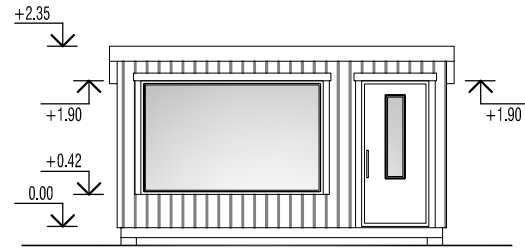
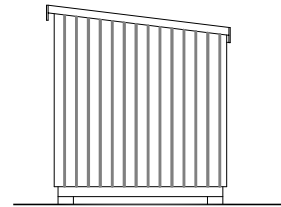


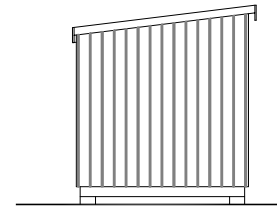
ELEVATION a



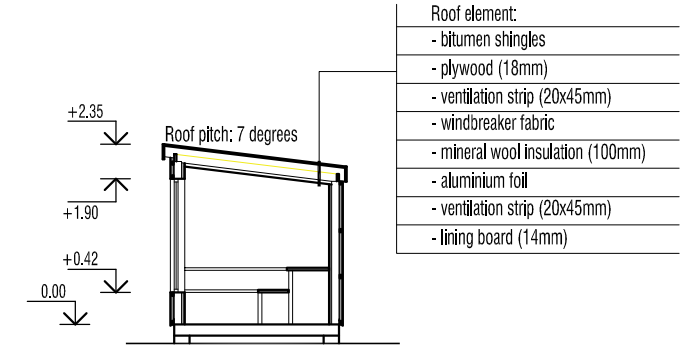
ELEVATION b



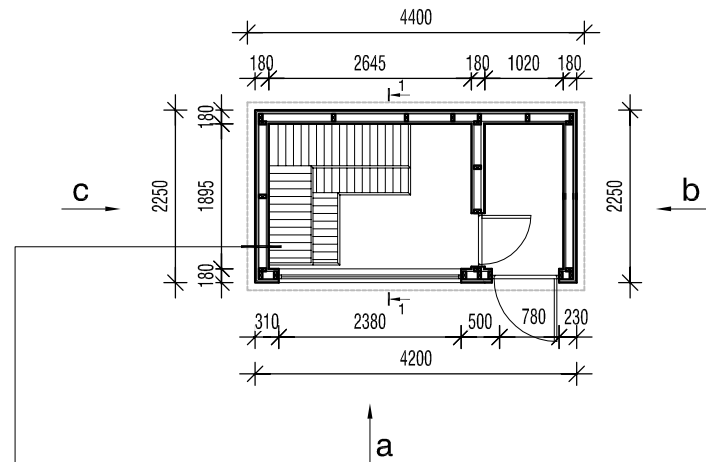
ELEVATION c



CROSS SECTION 1-1



FLOOR PLAN



Wall element:	
-	lining board (18mm)
-	ventilation strip (20x45mm)
-	windbreaker fabric
-	mineral wool insulation (100mm)
-	aluminium foil
-	ventilation strip (20x45mm)
-	lining board (18mm)

FIRST FLOOR HEIGHT APPOINTMENT OF A CONSTRUCTION SITE
FIRST FLOOR +0.00

1. ROOFING CLOUR

2. WALL PANEL COLOUR

Outer dimension: 2,3 x 4,3m;
Ridge height: 2.5m

Glass panel (2300 x 1480mm): 8mm bronze tempered glass

Door measures (900x1900)

MUNICIPALITY/ VILLAGE	PROPERTY	— SAUNA HOUSE L —	
STAGE	NEW CONSTRUCTION	SHEET NAME	SHEET.n:o
		THE MAIN DRAWING	1
BUILDING ADDRESS		DRAWINGS	SCALE
		ELEVATION a; b; c CROSS SECTION 1-1 FLOOR PLAN	1 : 100
PROJECT INFORMATION COMPILED		DRAWING NUMBER	MODIFICATION
PEETER AUNAPU 18.08.2022 construction engineer		WORK NUMBER	Af 2809/22-enL