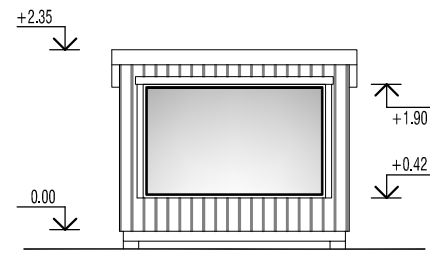
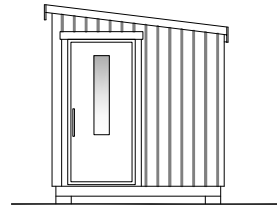


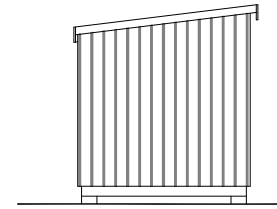
ELEVATION a



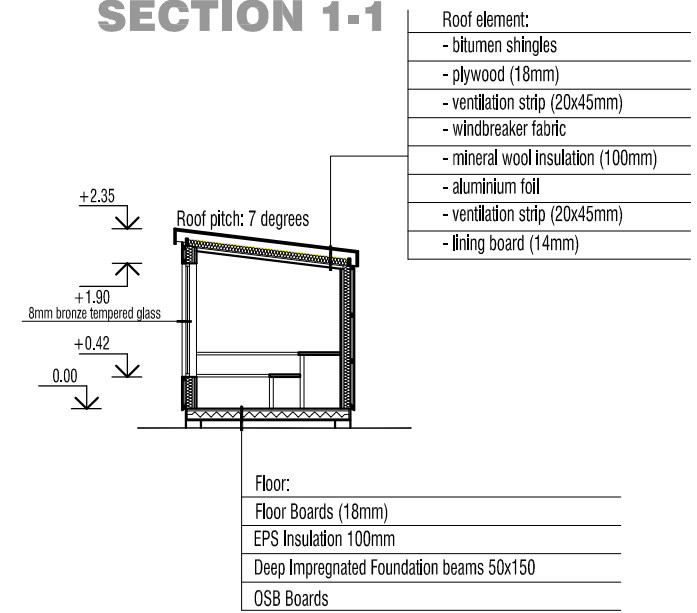
ELEVATION b



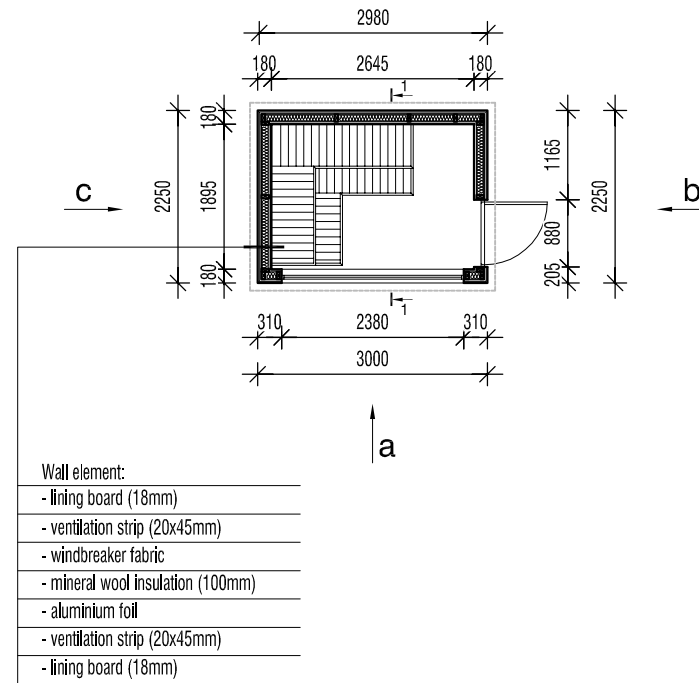
ELEVATION c



SECTION 1-1



FLOOR PLAN



FIRST FLOOR HEIGHT APPOINTMENT OF A CONSTRUCTION SITE
FIRST FLOOR +0.00

- 1. ROOFING CLOUR
- 2. WALL PANEL COLOUR

Outer dimension: 2,4 x 3,2m; Inner dimensions: 1,9 x 2,65m
Ridge height: 2.5m

Glass panel (1760 x 1480mm); 8mm bronze tempered glass

Door measures (900x1900)

MUNICIPALITY/ VILLAGE	PROPERTY	PRE-ASSEMBLED SAUNA „ KALLE“	
STAGE	NEW CONSTRUCTION	SHEET NAME	SHEET.n:o
BUILDING ADDRESS		THE MAIN DRAWING	1
PROJECT INFORMATION COMPILED	DRAWINGS	SCALE	
PEETER AUNAPU 14.07.2021	ELEVATION a; b; c CROSS SECTION 1-1 FLOOR PLAN	1 : 100	
construction engineer	DRAWING NUMBER WORK NUMBER	Af 1407/21-en	MODIFICATION