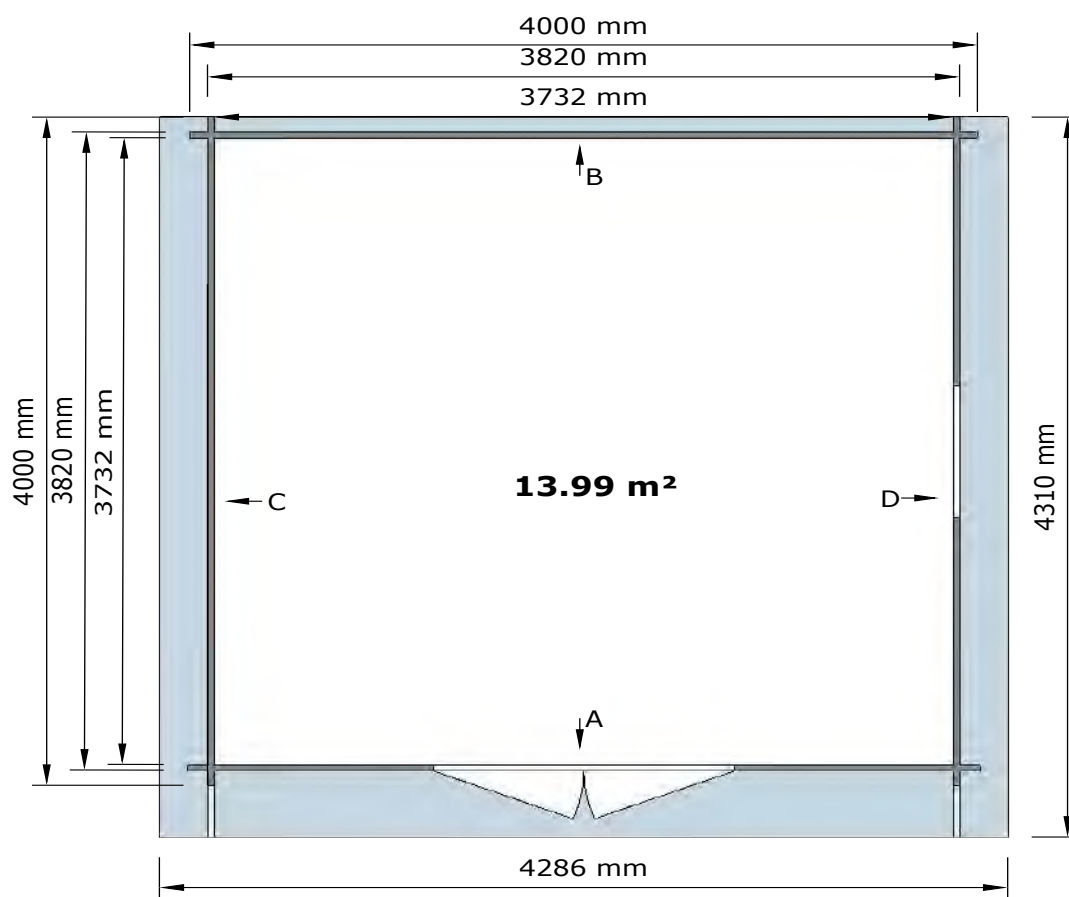
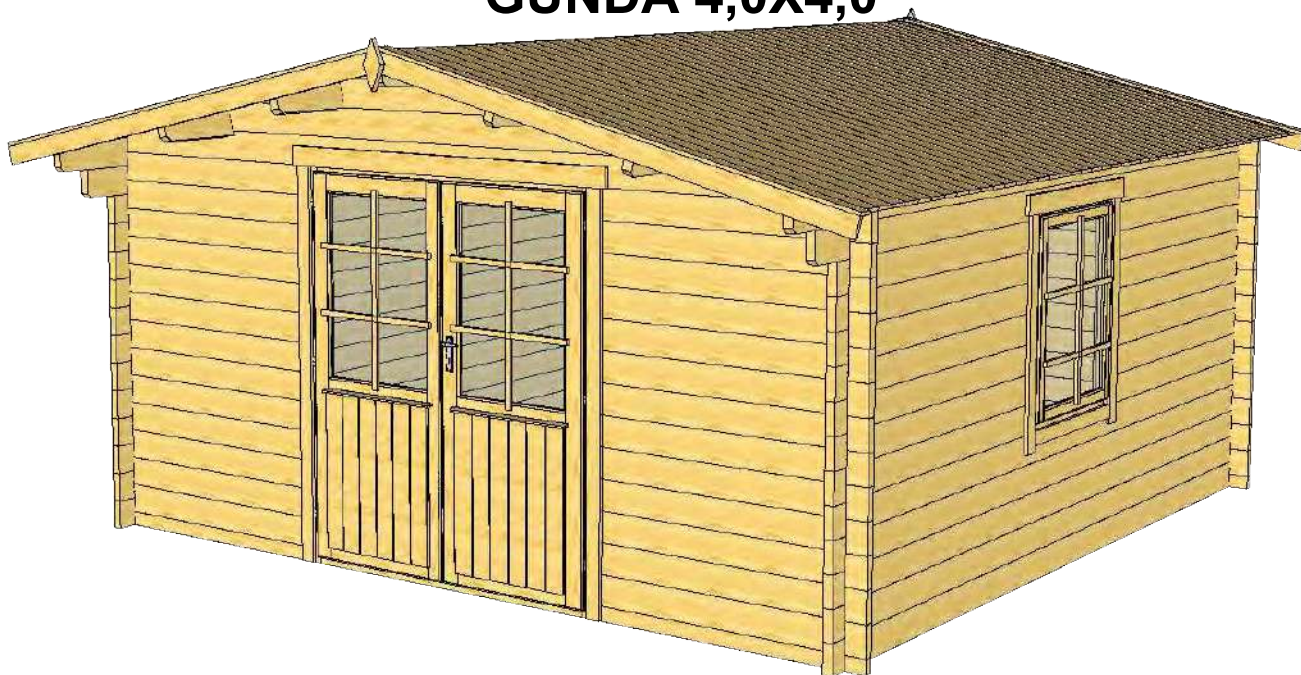



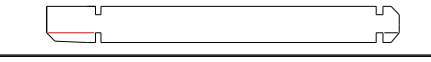

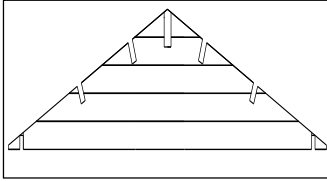
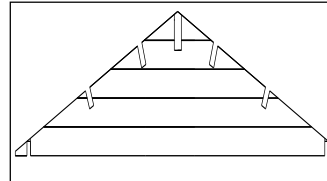
**R-28**

Package number R28/0

**GUNDA 4,0X4,0**



Gunda 4,0x4,0 40 mm

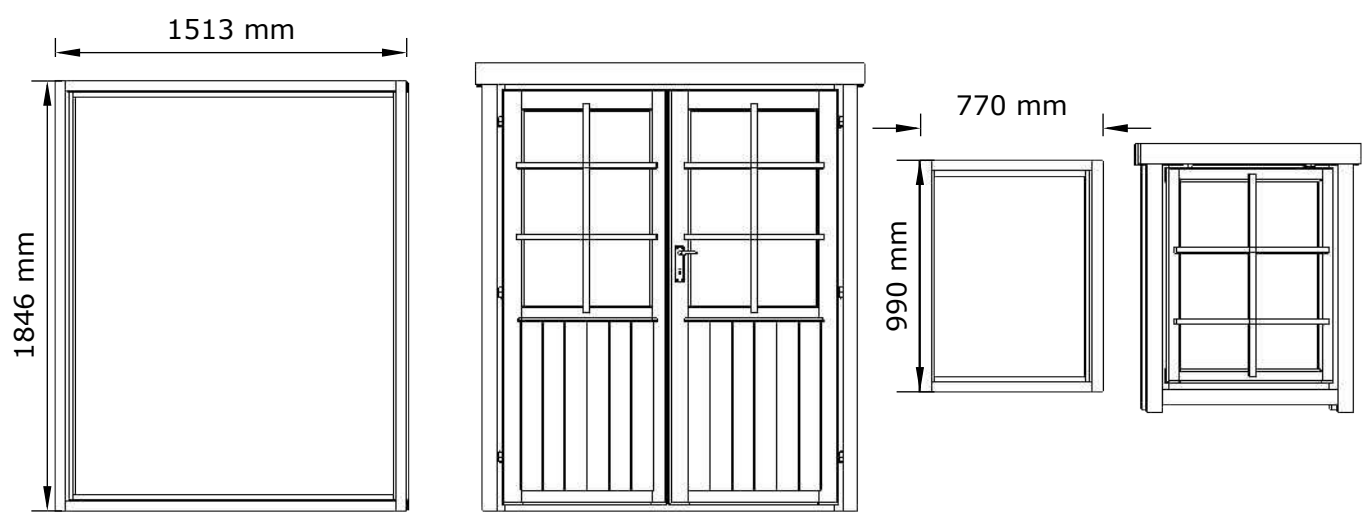
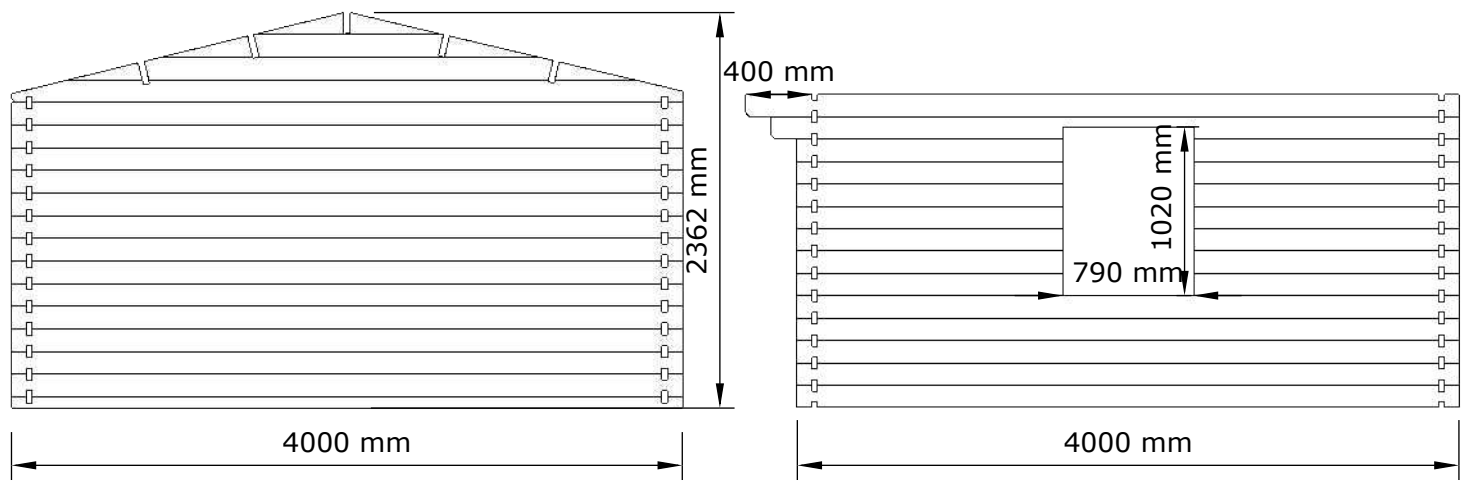
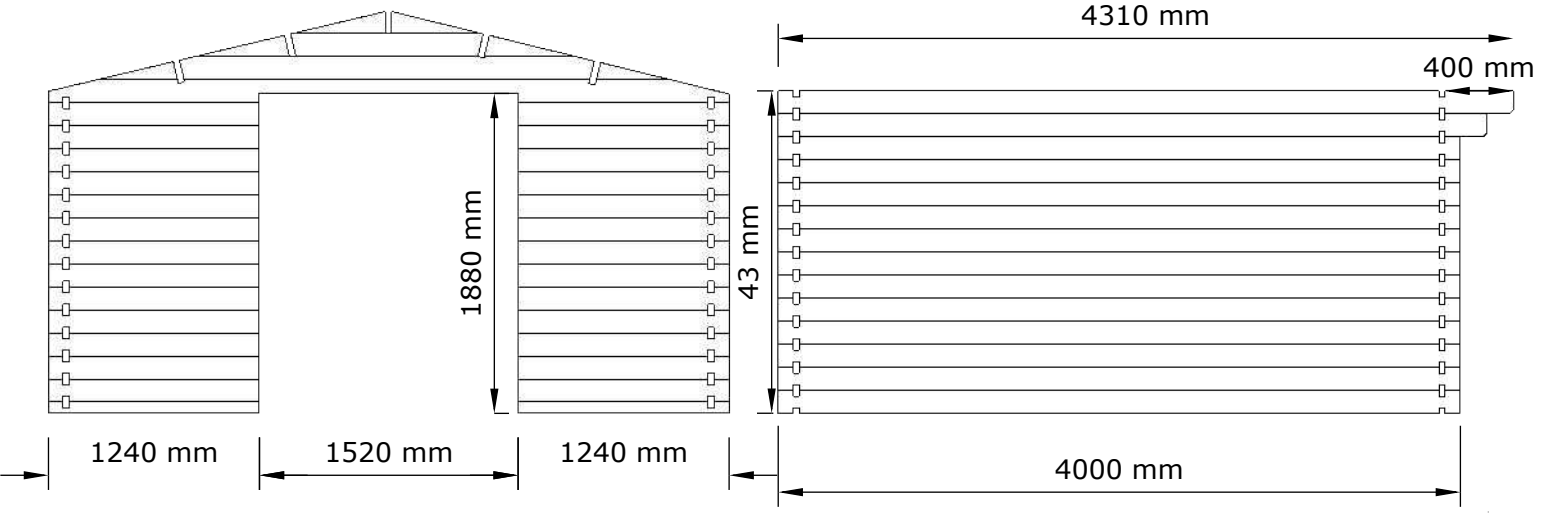
Pos	Size, mm h x b x l			Quantity		Destination
3	44	67,5	4000	1		Wall B
3a	44	67,5	1235	2		Wall A
4	44	135	4000	13		Wall B
5	44	135	1235	26		Wall A
6	44	135	4000	17		Wall C, D
6a	44	135	1605	14		Wall D
7	44	135	4155	1		Wall C
7a	44	135	4155	1		Wall D
7b	44	135	4310	2+1		Wall C, D
8	44	135	4000	1		Vault
8a	44	135	3306	1		Vault
8b	44	135	2204	1		Vault
8c	44	135	1102	1		Vault
8/1	44	135	4000	1		Vault
8a/1	44	135	3306	1		Vault
8b/1	44	135	2204	1		Vault
8c/1	44	135	1102	1		Vault
9	44	140	4310	1		Rafter
9a	44	140	4310	4		Rafter
10	16	90	2200	97		Roof board
11	16	90	2250	4		Wind board
11a	16	65	2260	4		Wind board
12	16	65	4310 (2155)	2 (4)		Roof board
13				2		Diamond
14	16	65	733	2		
15	16	65	1070	4		
15a	16	90	990	2		
16	16	65	1890	4		
16a	16	90	1660	2		
18				1		Window
19				2		Door

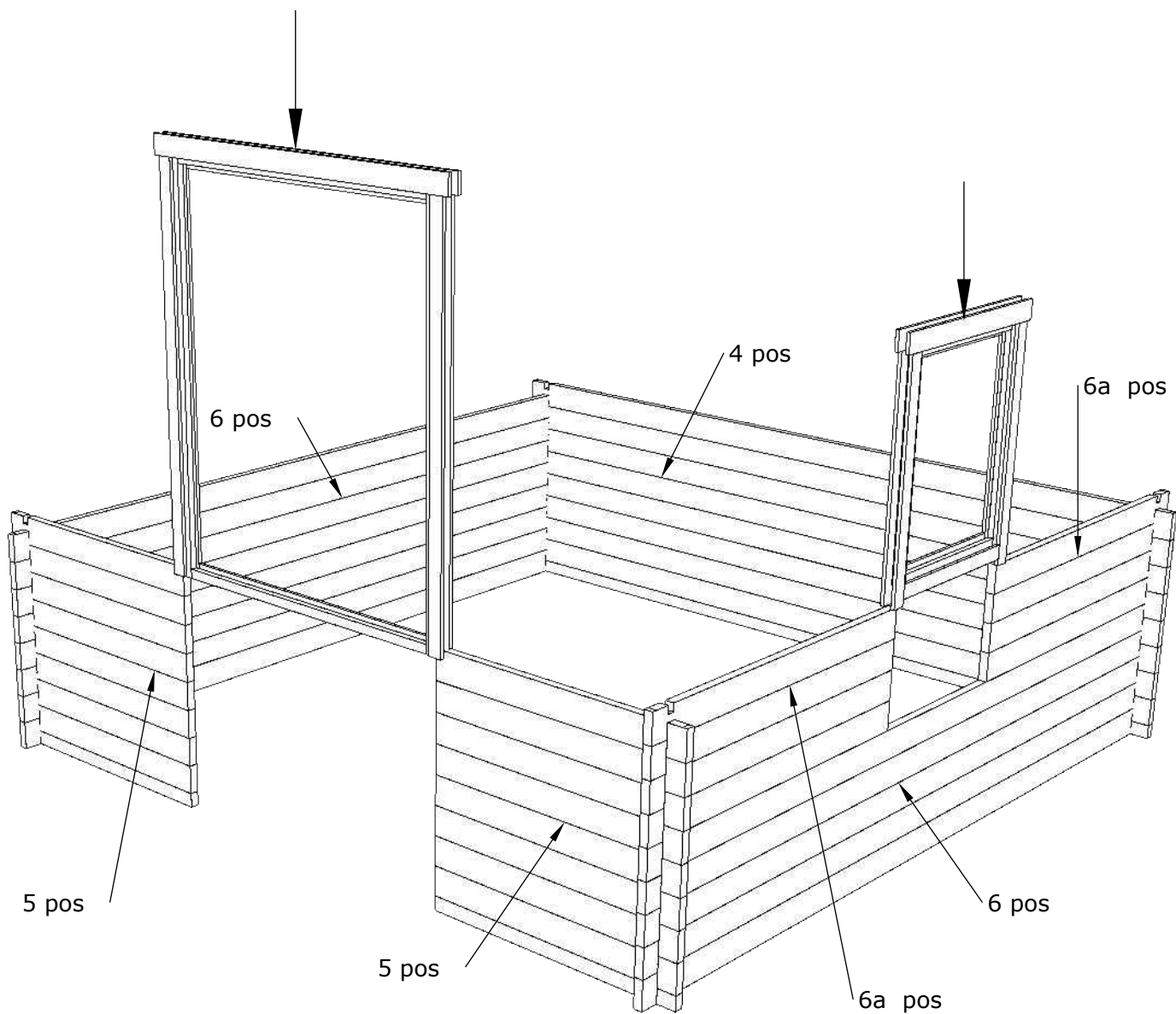
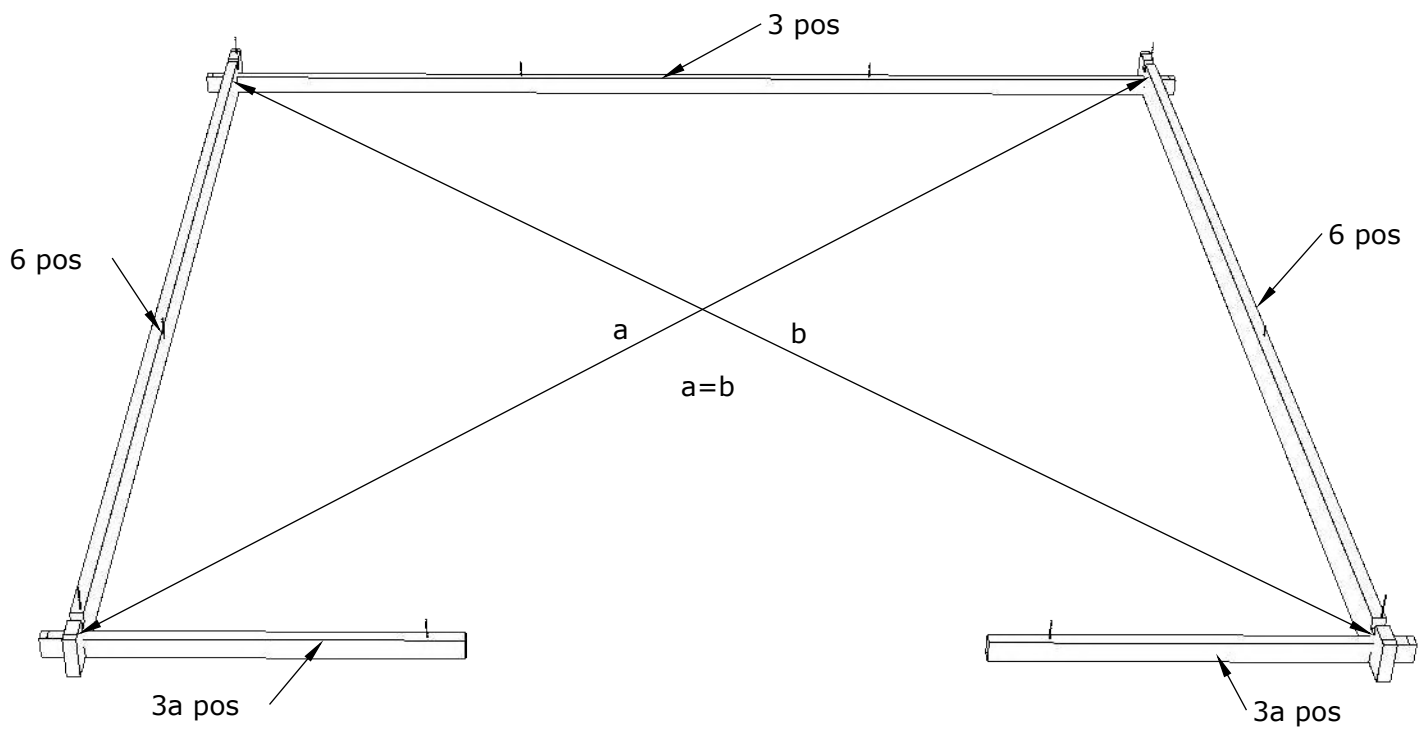
**Recommendations.**

It is recommended to install a ventilation system in the house.

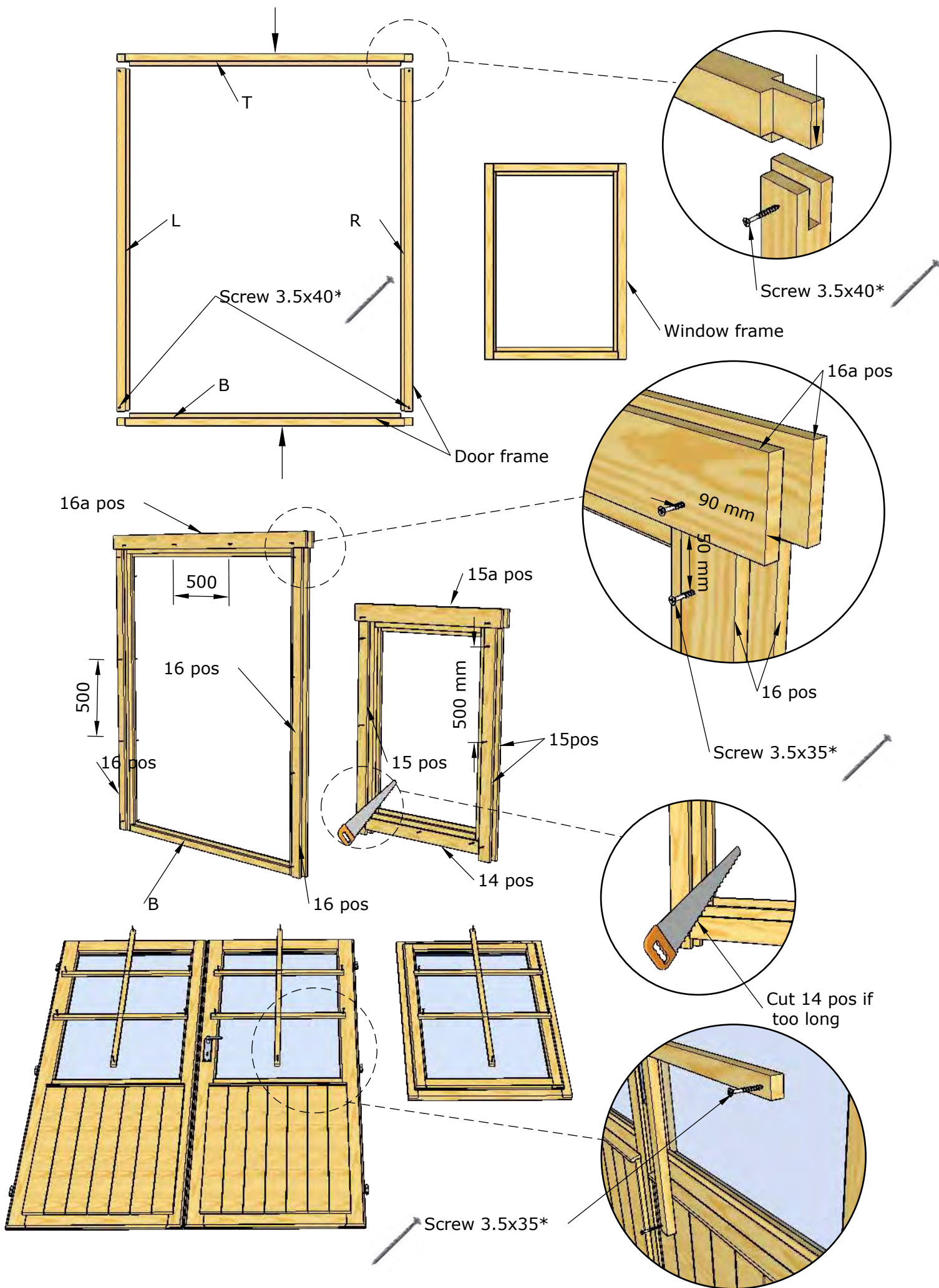


Assembly of the house requires at least minimum knowledge in the field of assembly of wood products. Otherwise, we recommend hiring a specialist.





\* Screws are not included in the package.



\* Screws are not included in the package.



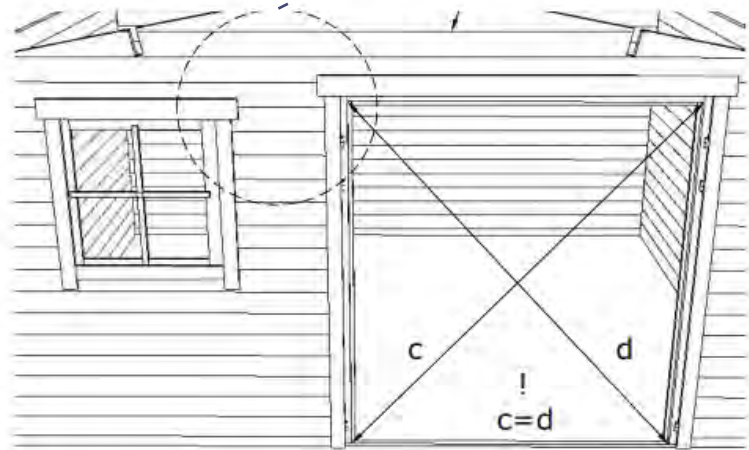
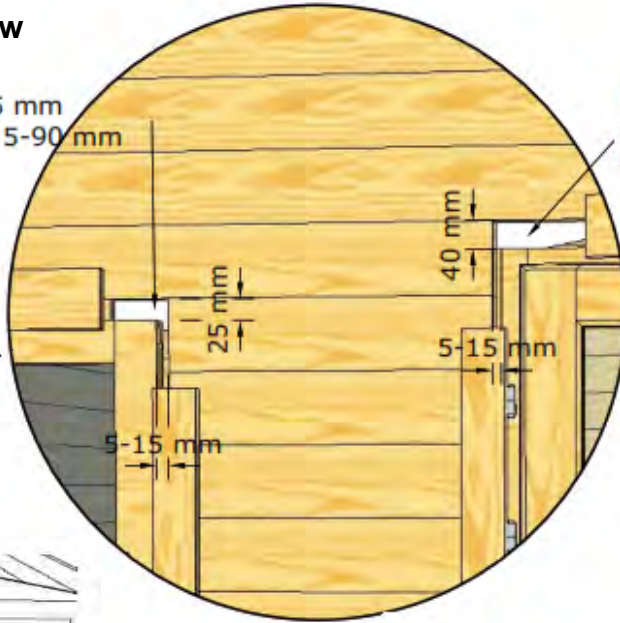
The guide is illustrative. This guide is not project specification.

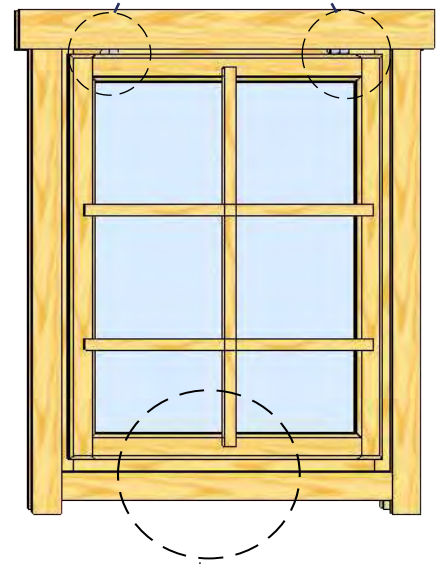
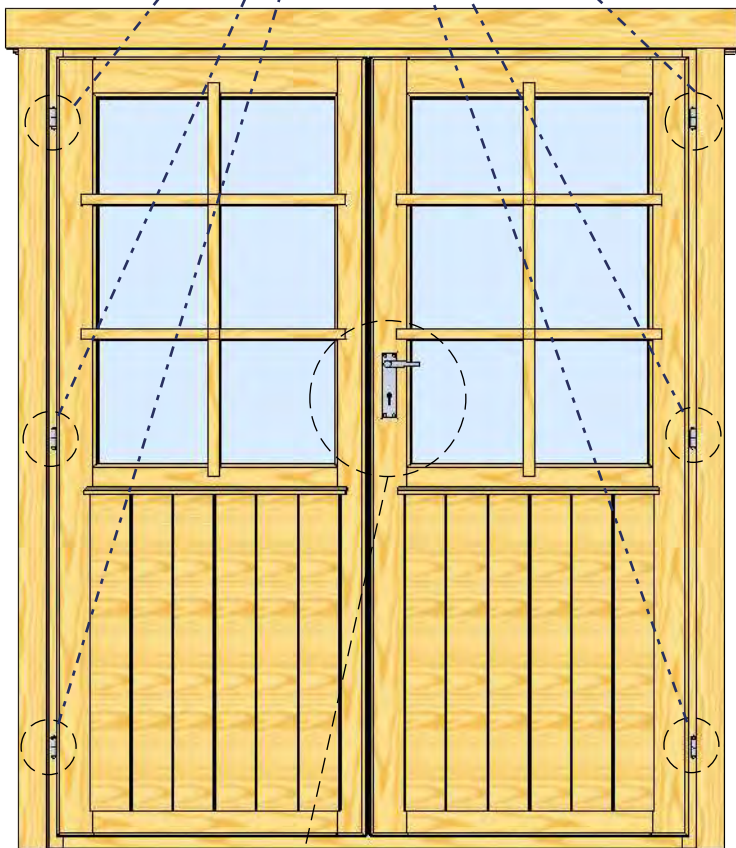
### Window

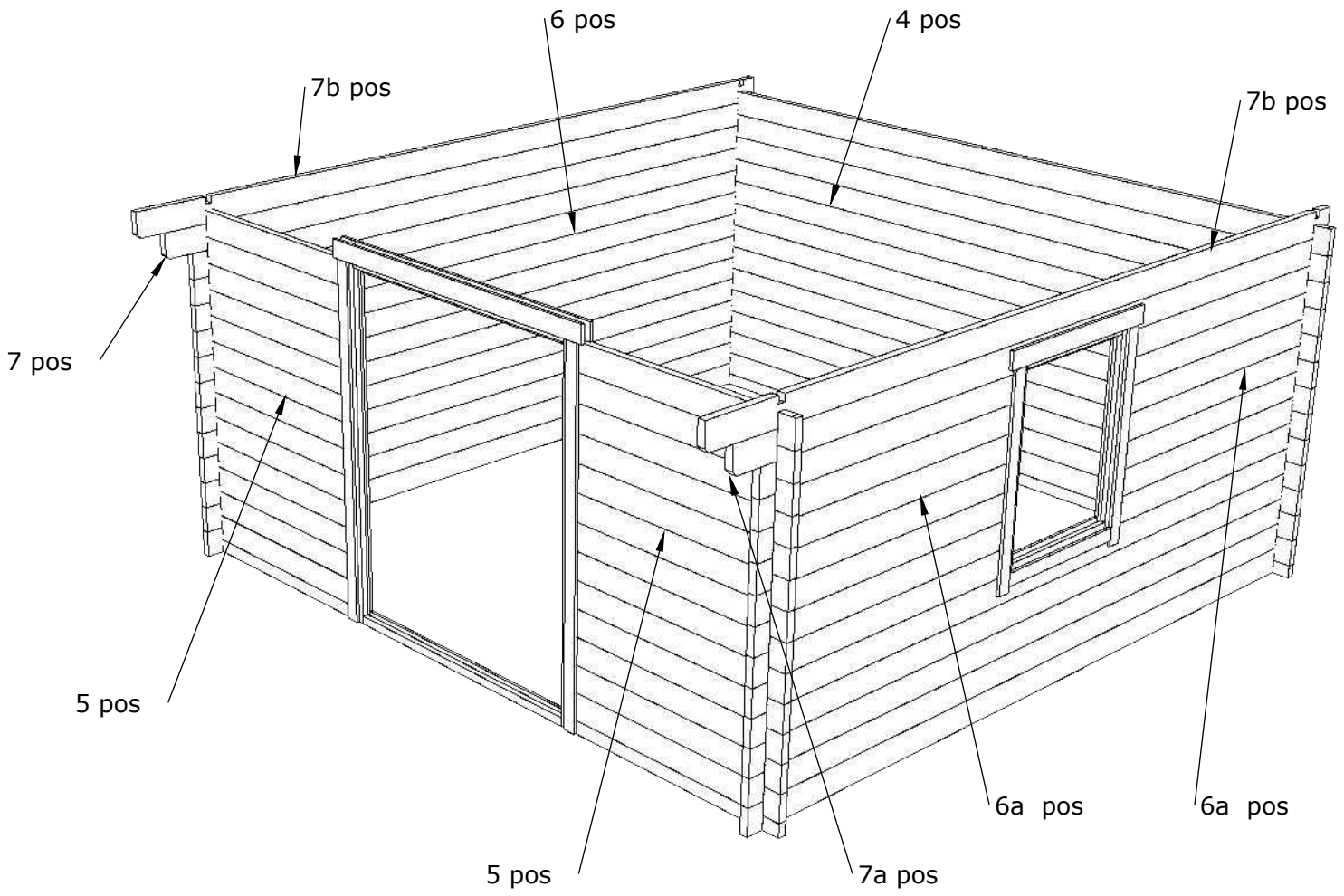
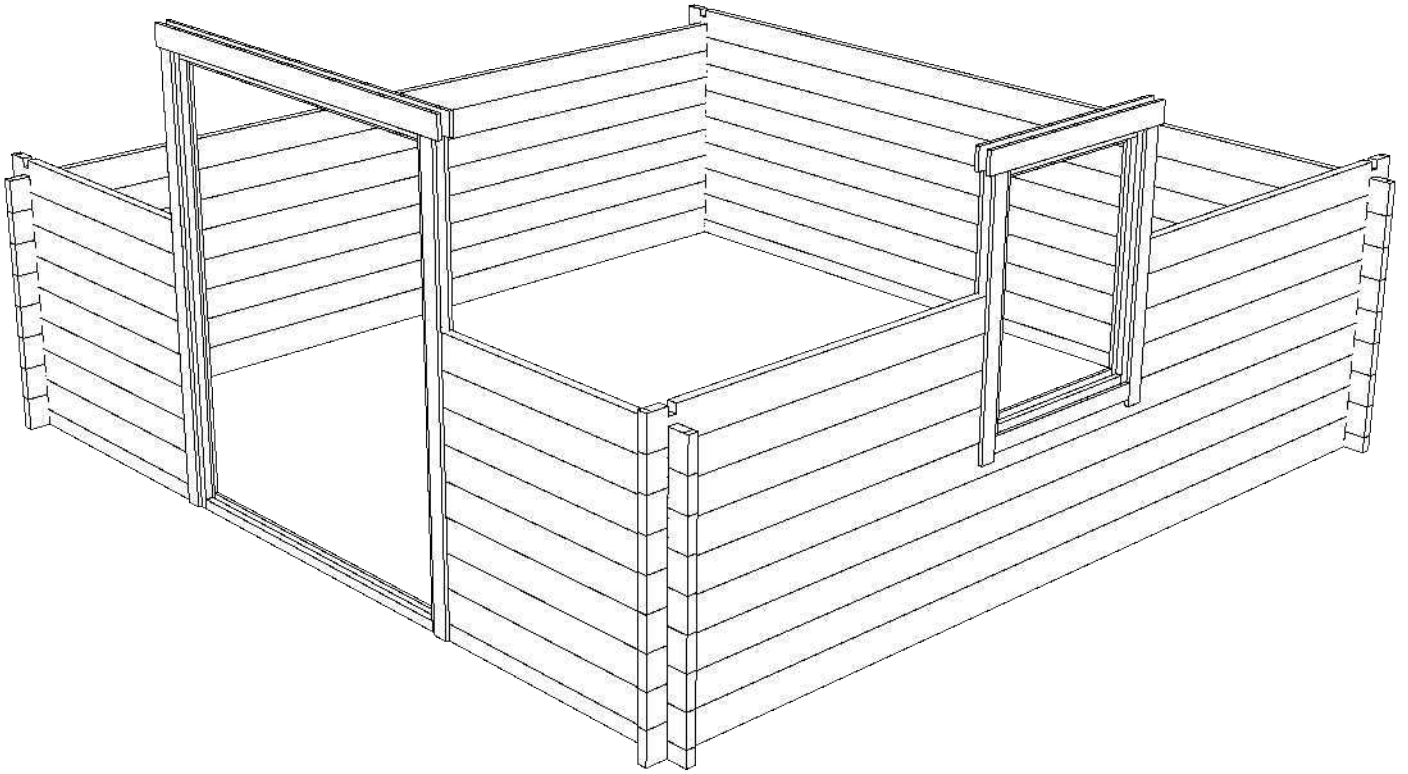
Normal ca 25 mm  
min-max ca 5-90 mm

### Door

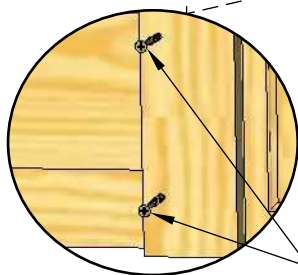
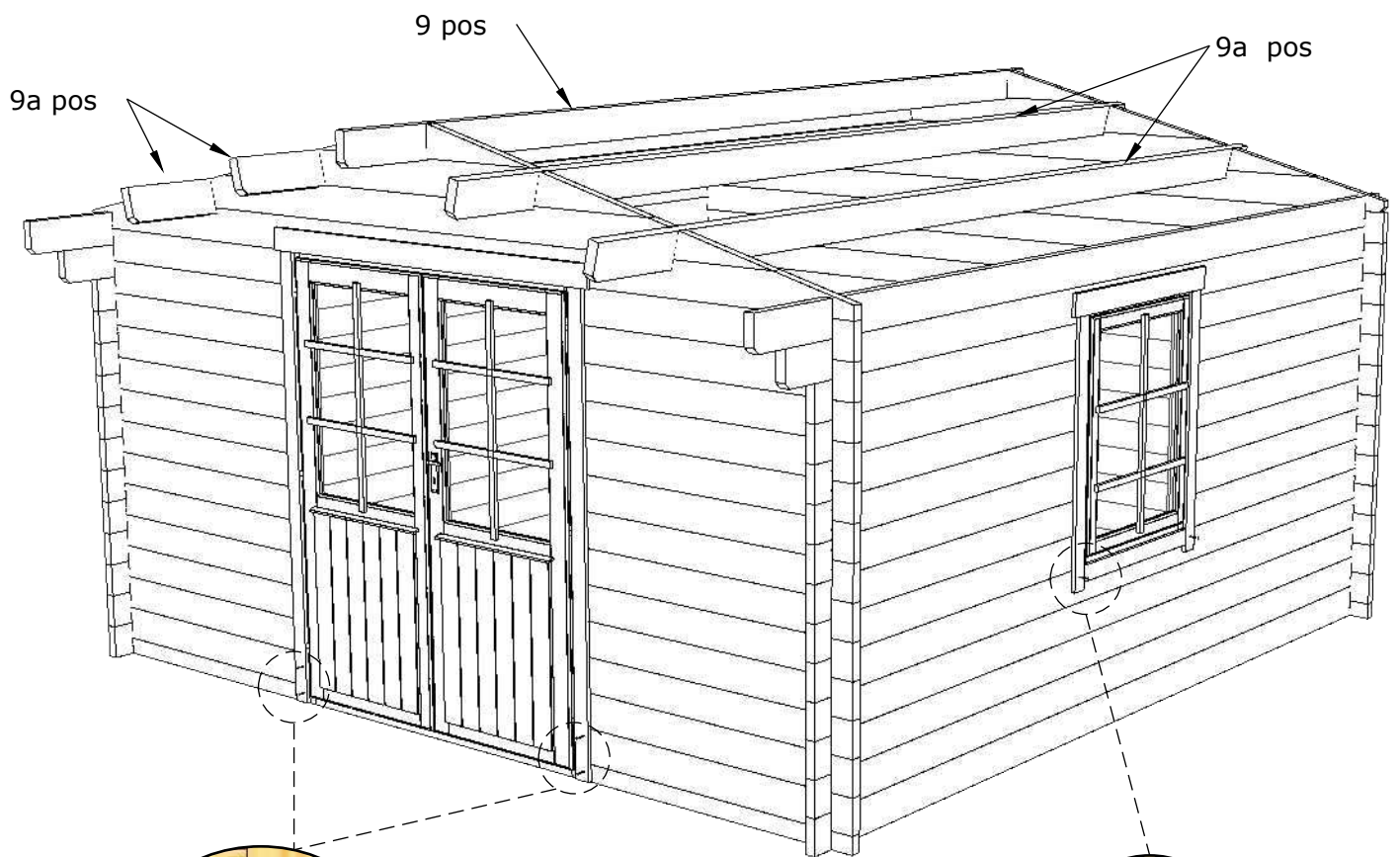
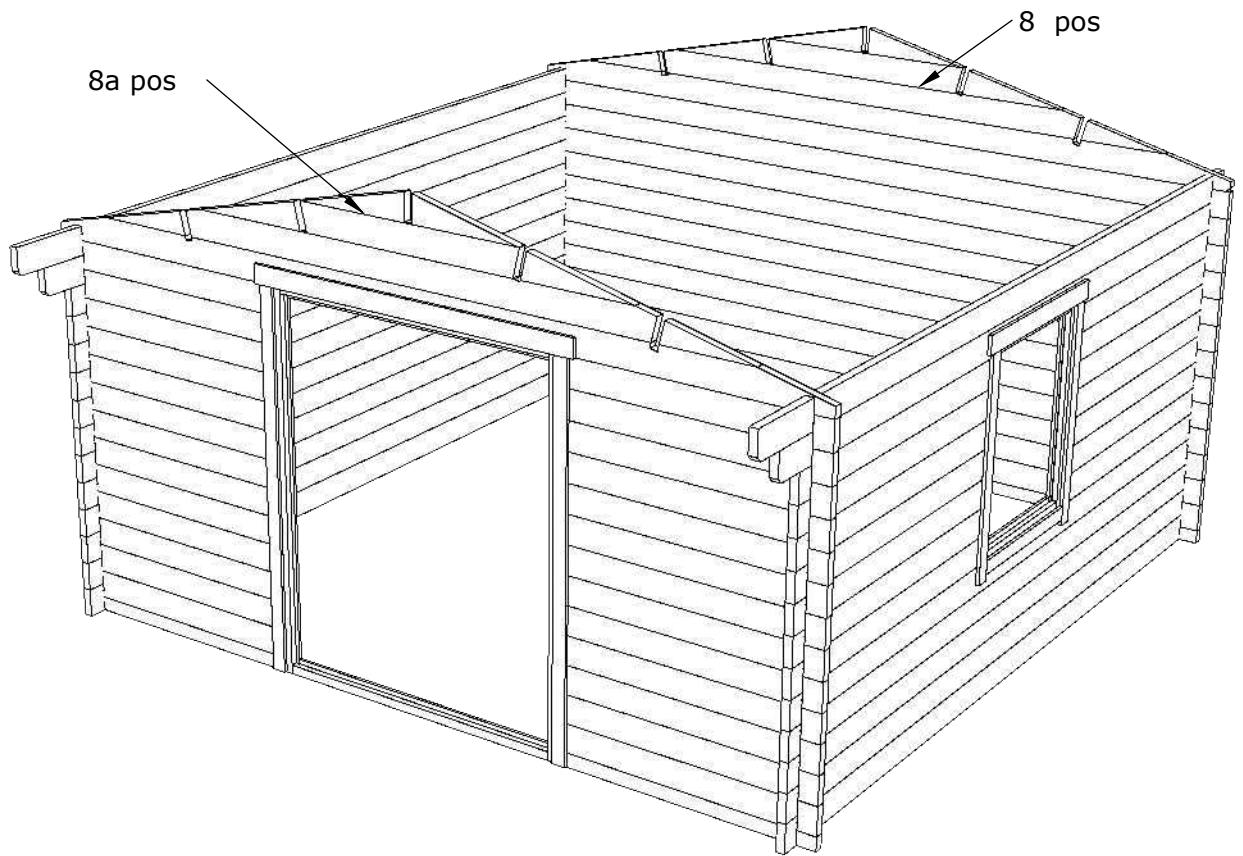
Normal - ca 40 mm;  
min - ca 5 mm;  
max - ca 90 mm



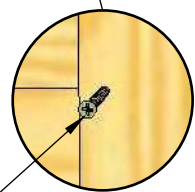






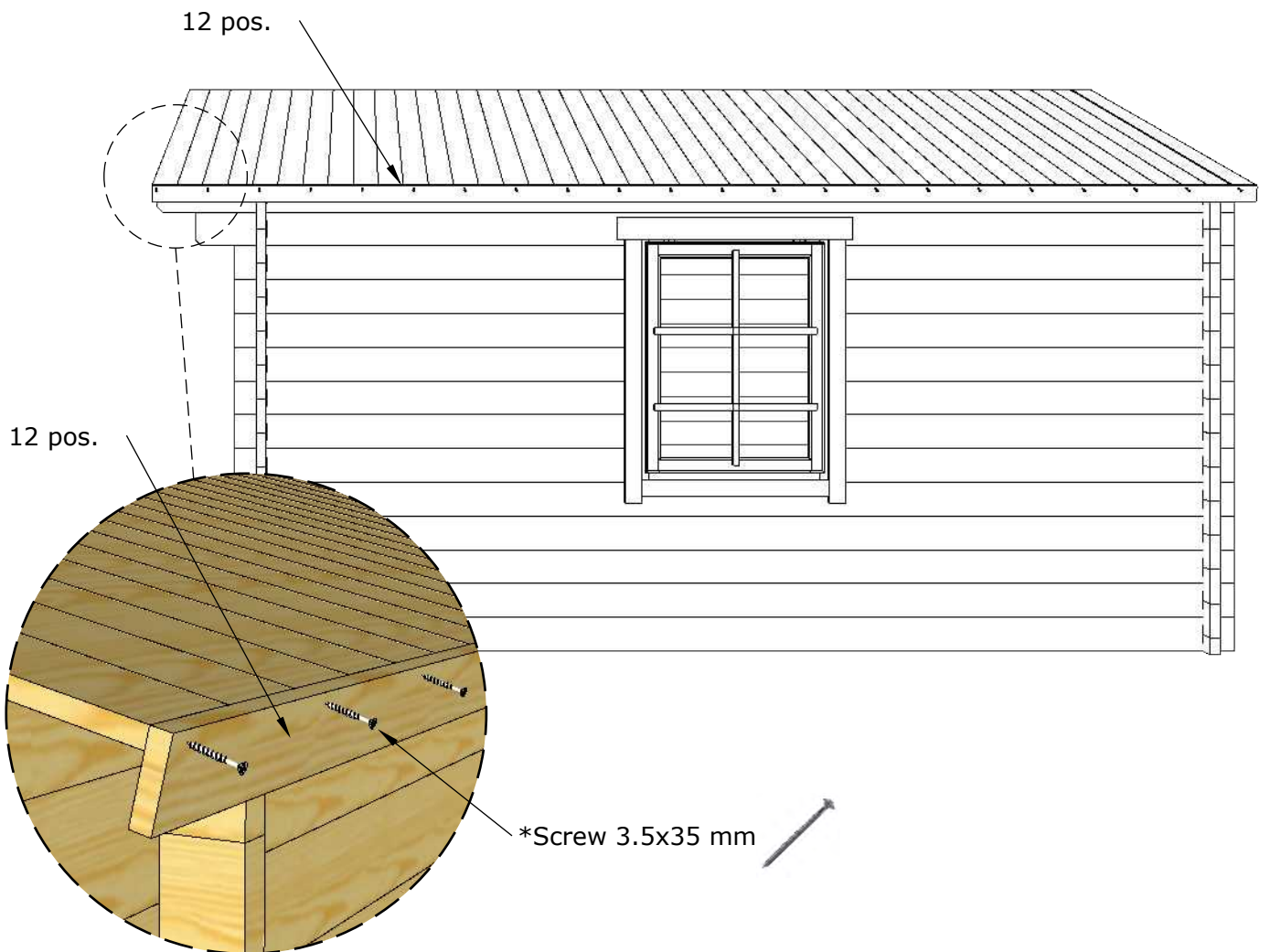
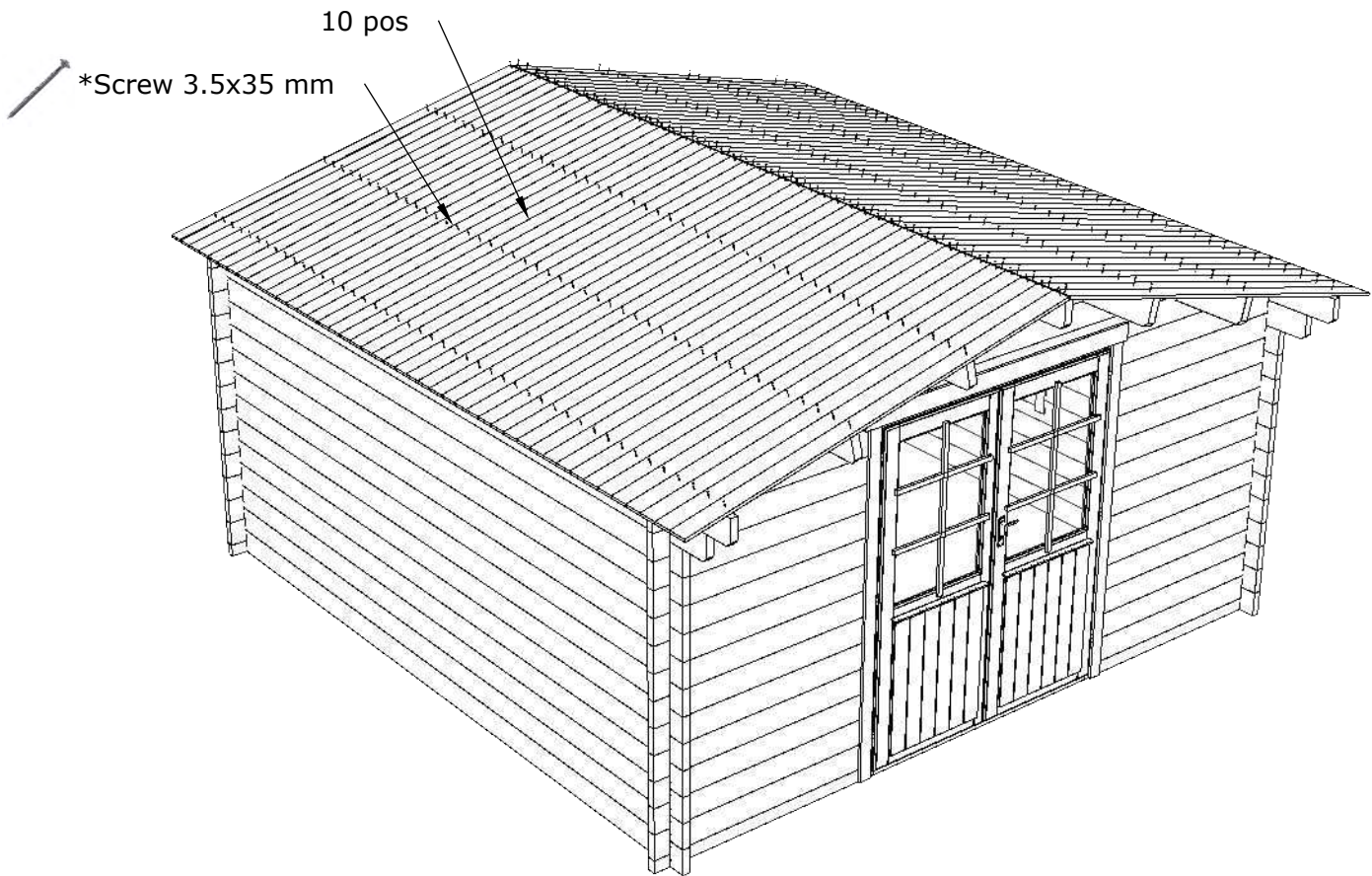


\*Screw 3.5x35 mm



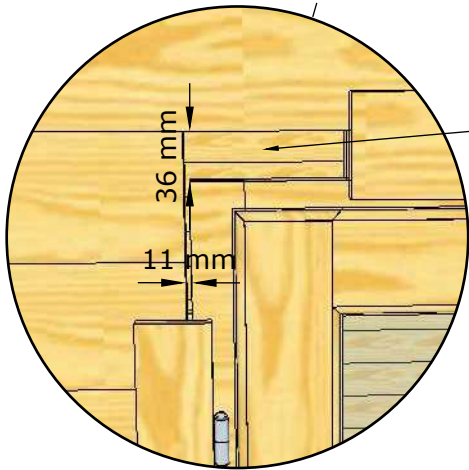
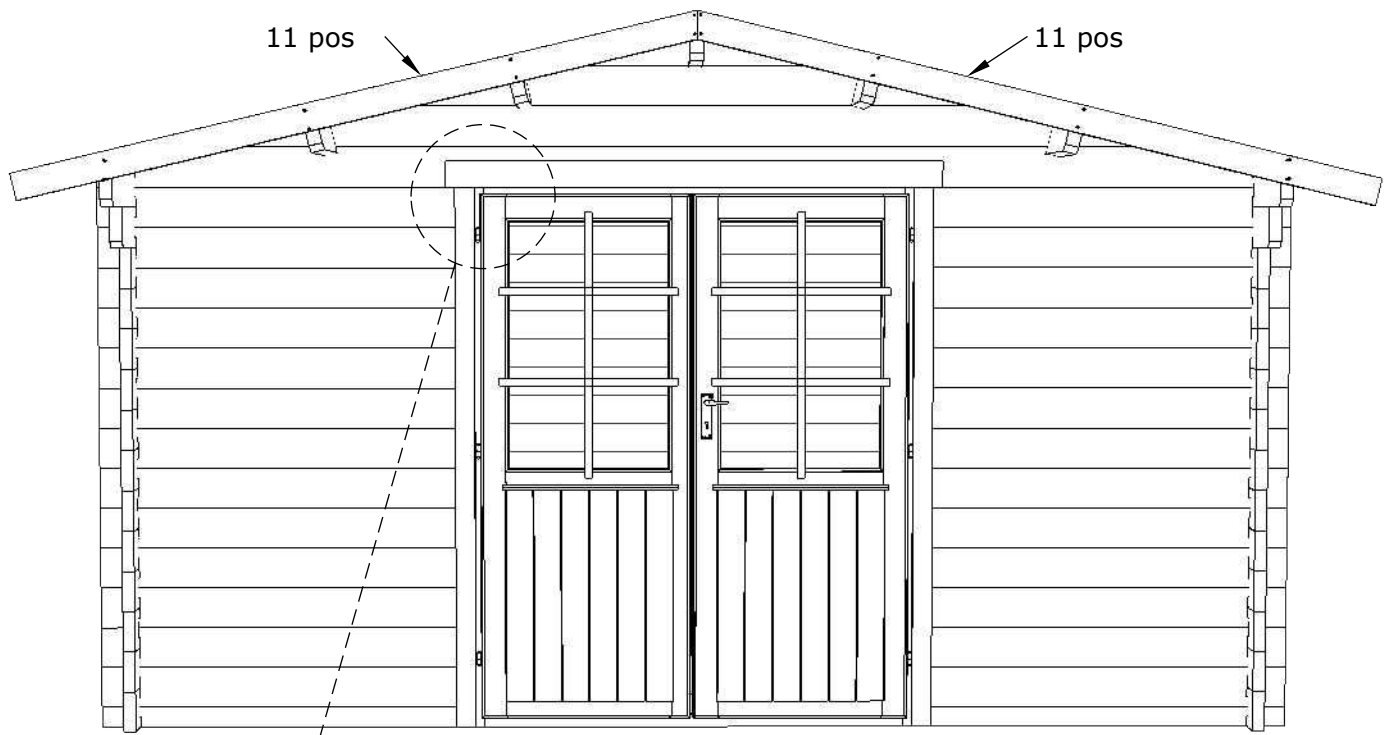
\*Screw 3.5x35 mm

\* Screws are not included in the package.



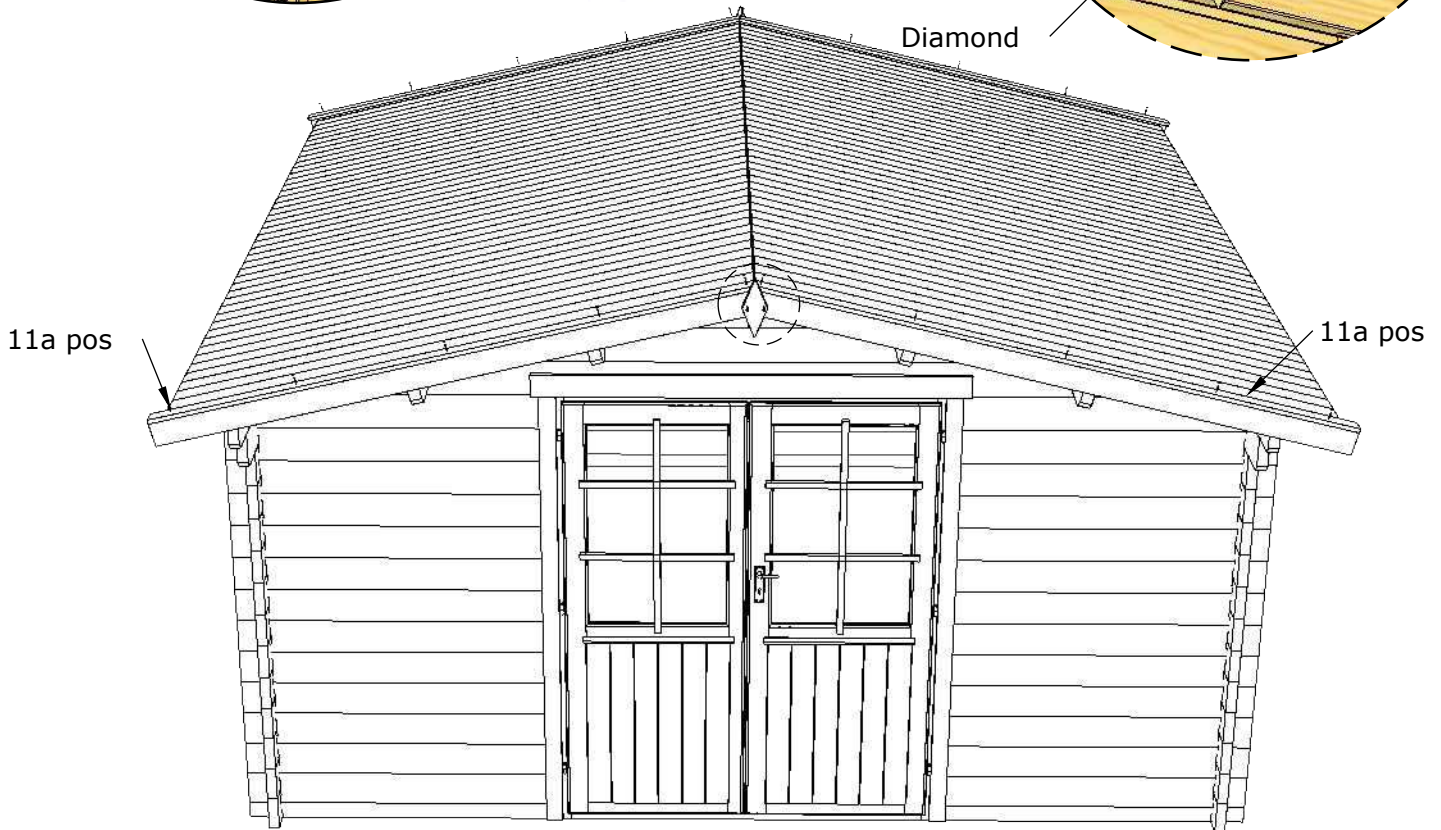
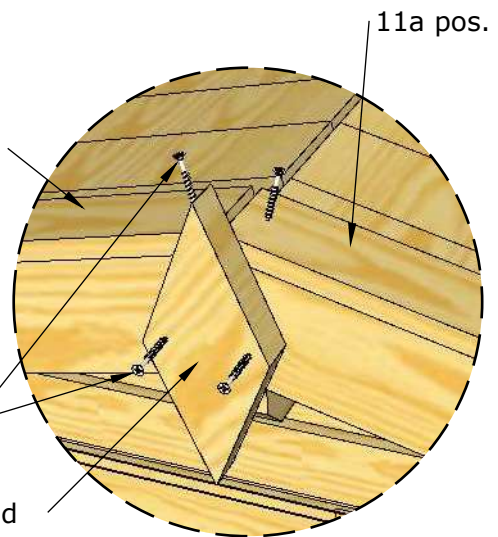
\* Screws are not included in the package.





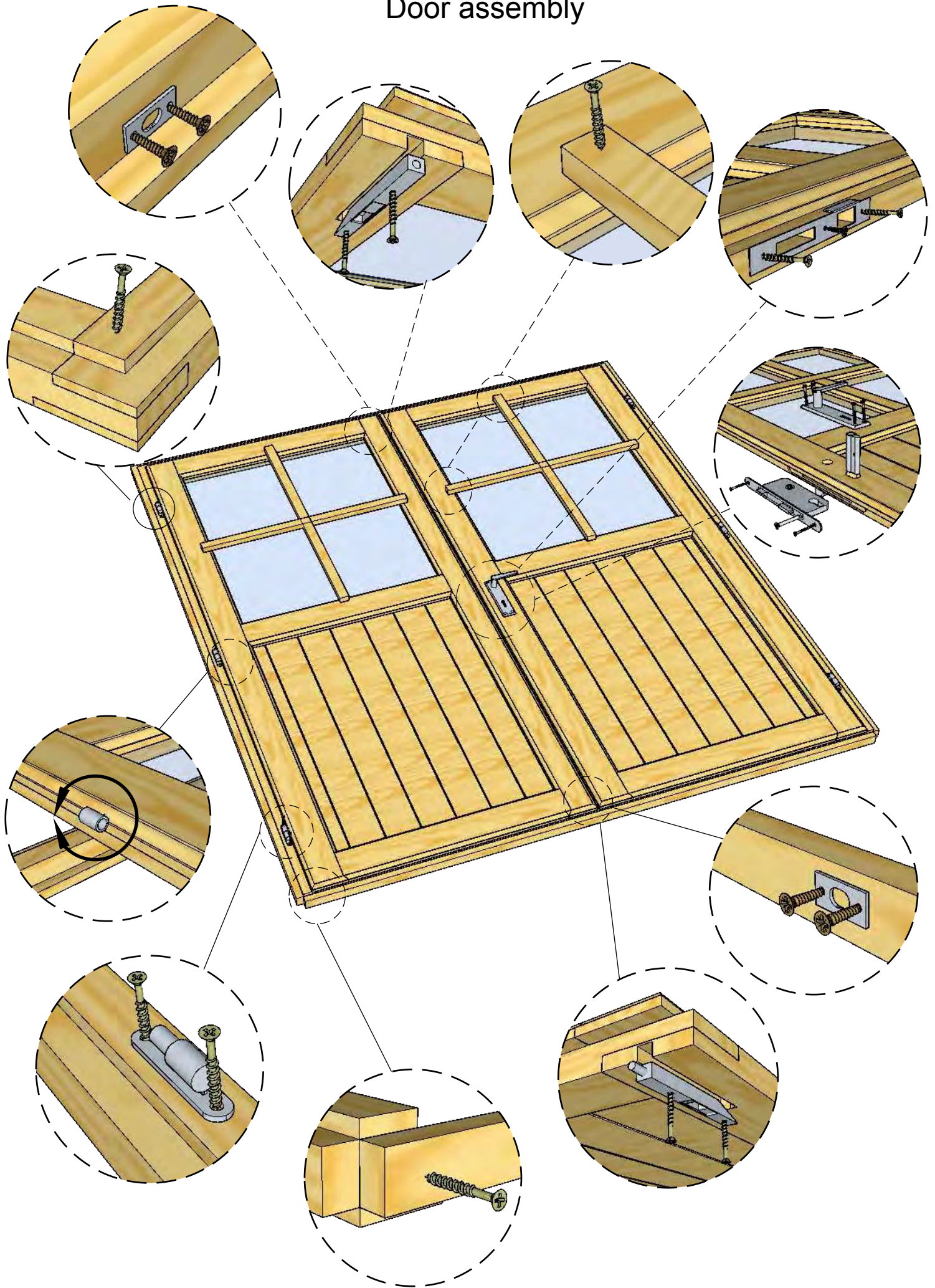
Normal - ca 40 mm;  
 min - ca 5 mm;  
 max - ca 90 mm

11a pos.



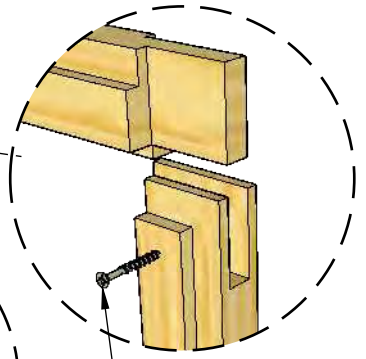
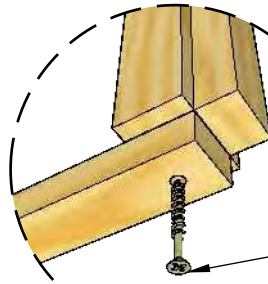
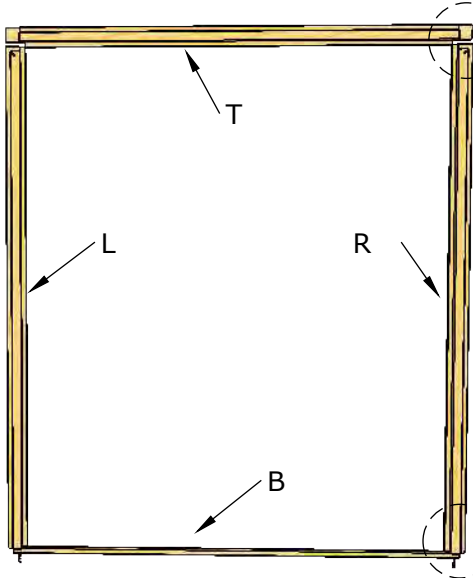


# Door assembly

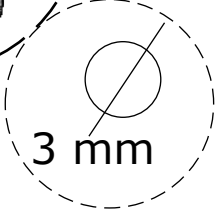
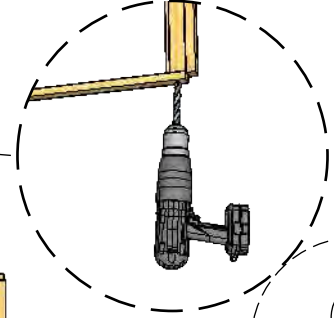




1.

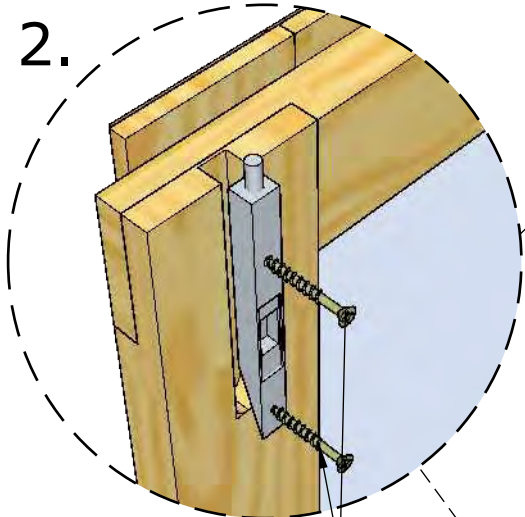


3.5x40

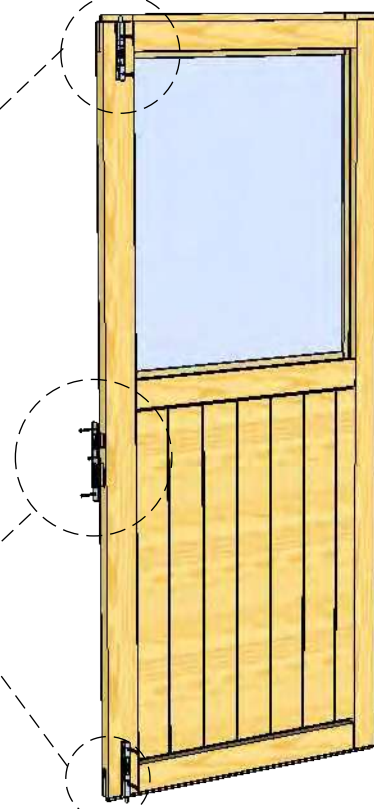


3 mm

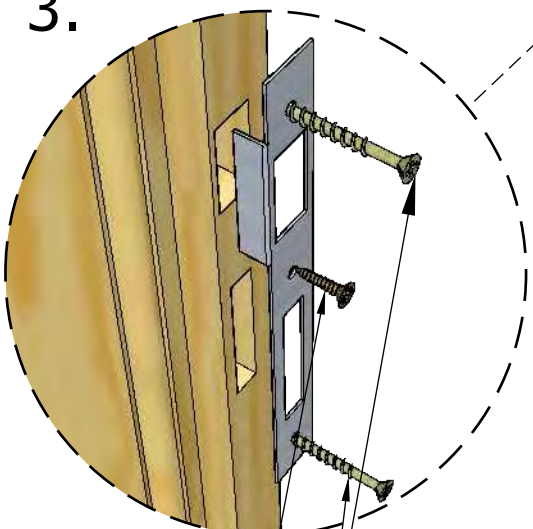
2.



3x30

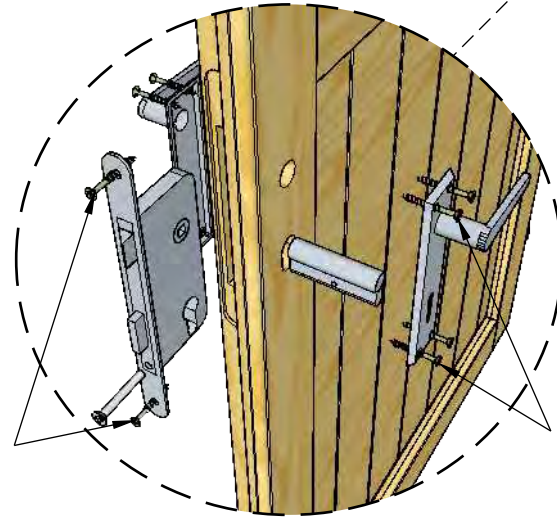


3.



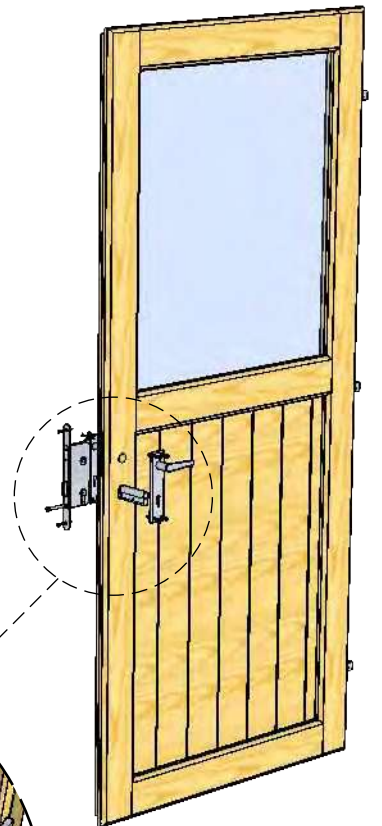
3x16

3x30



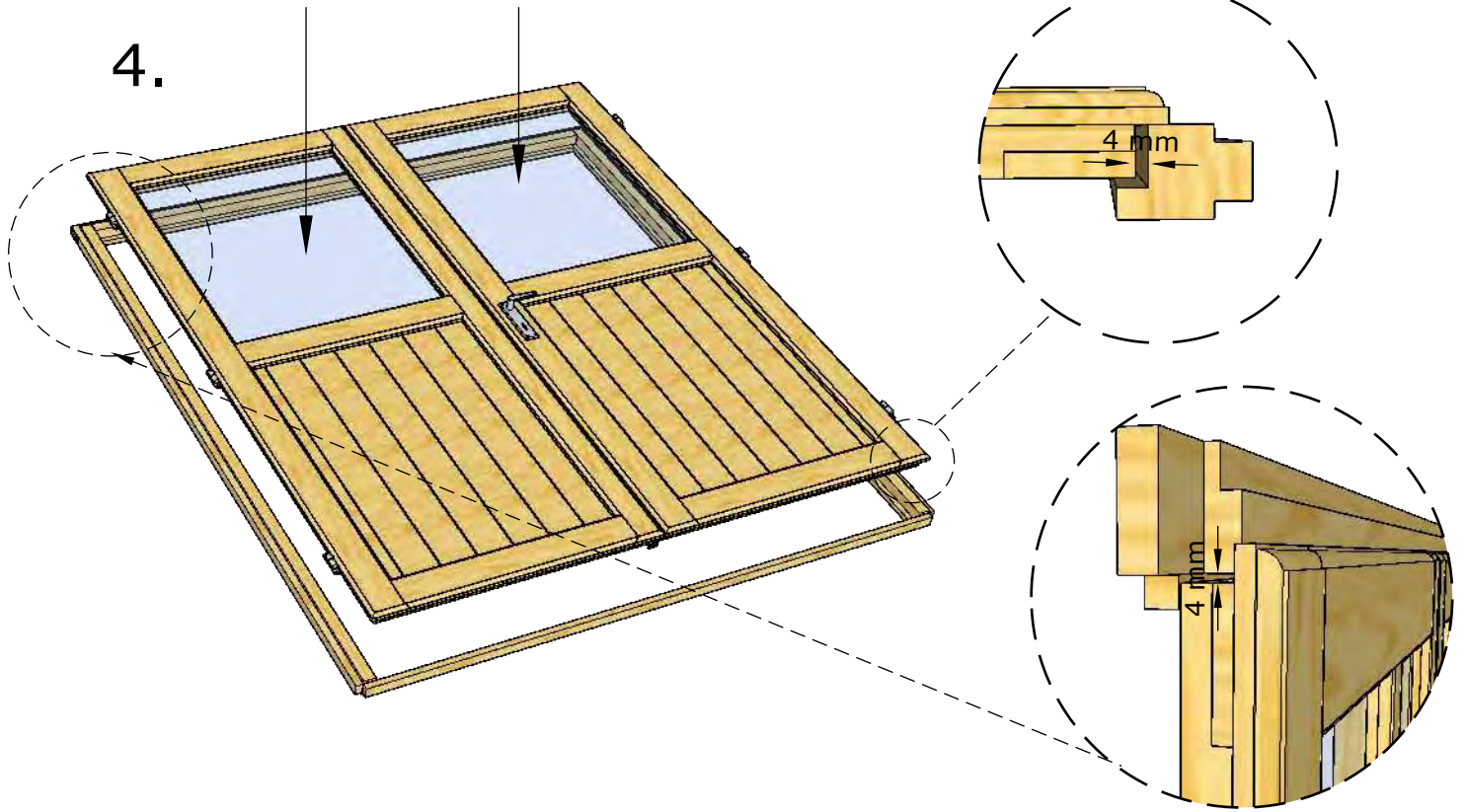
3.5x40

3.5x25

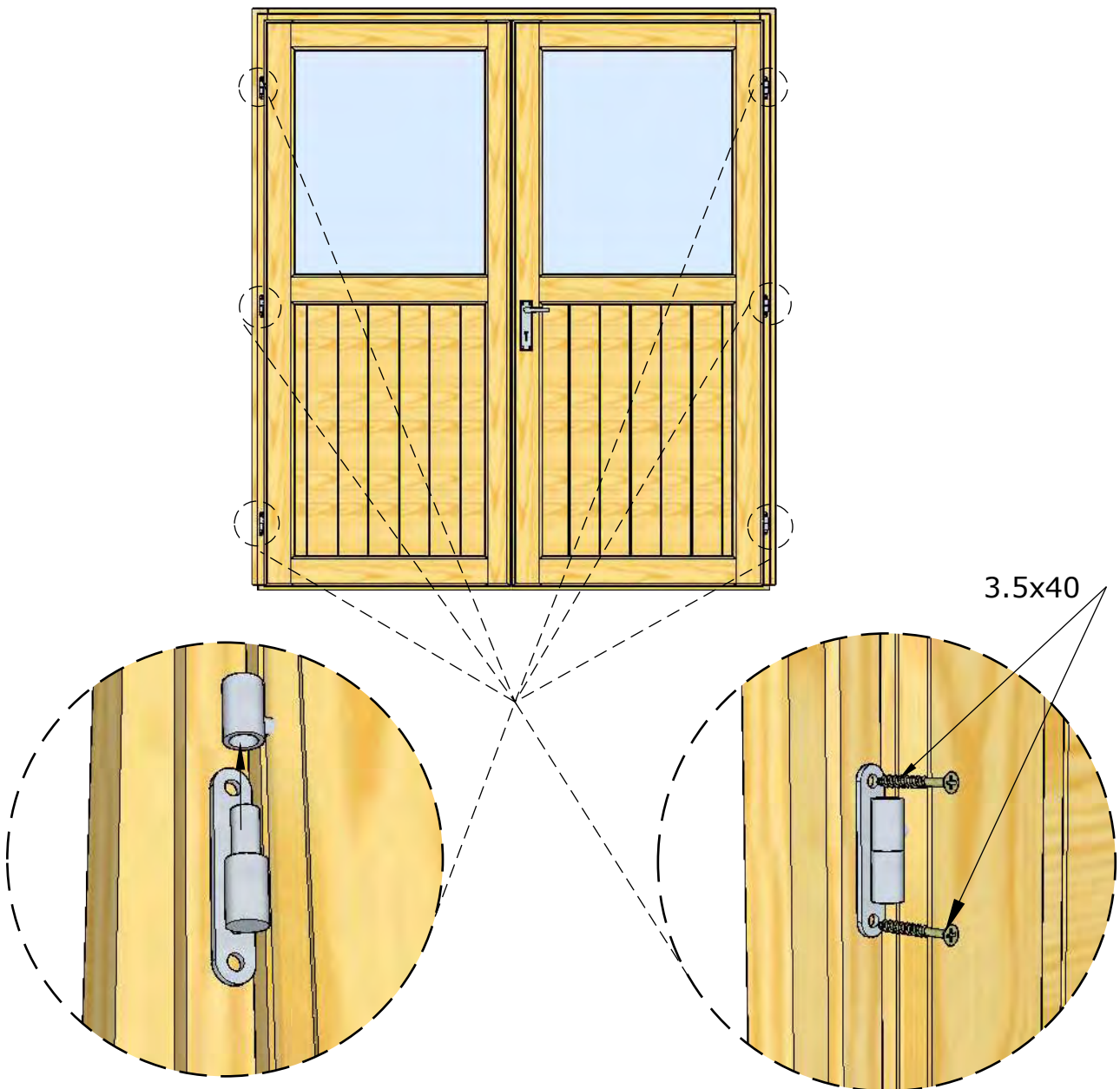




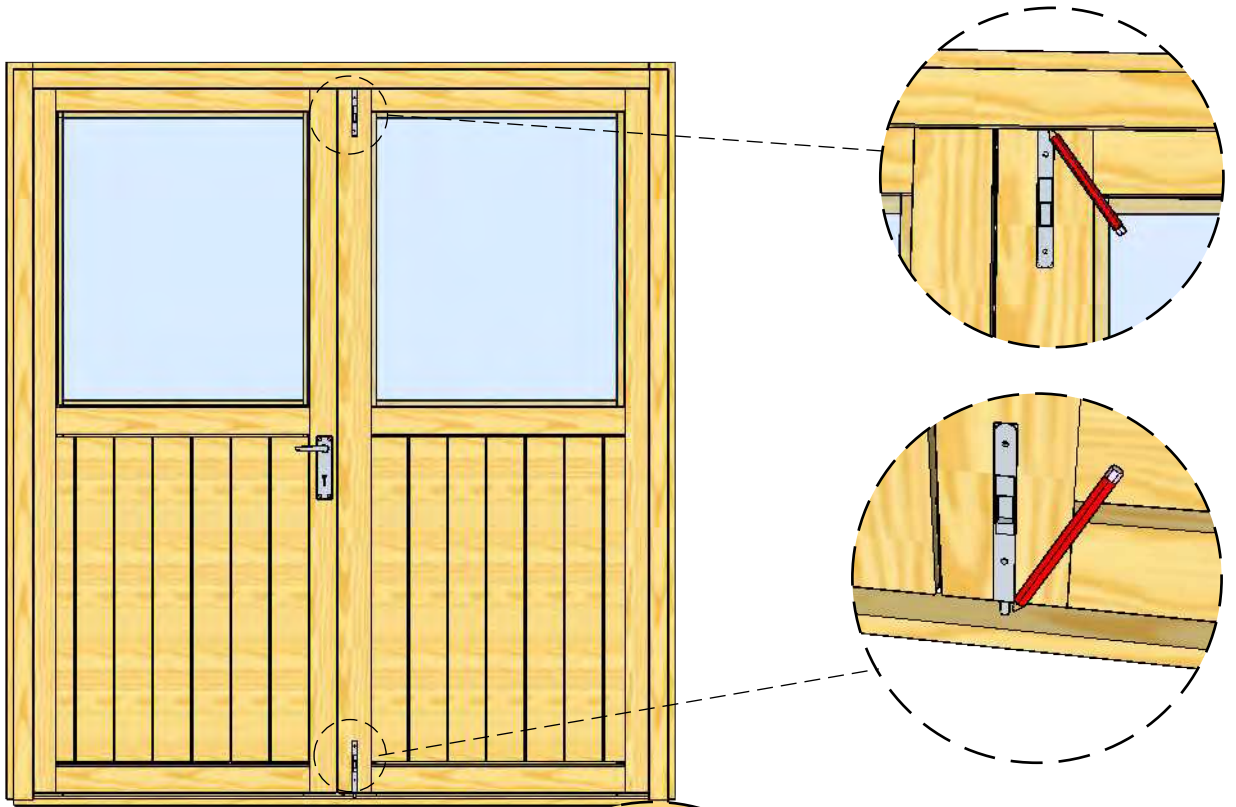
4.



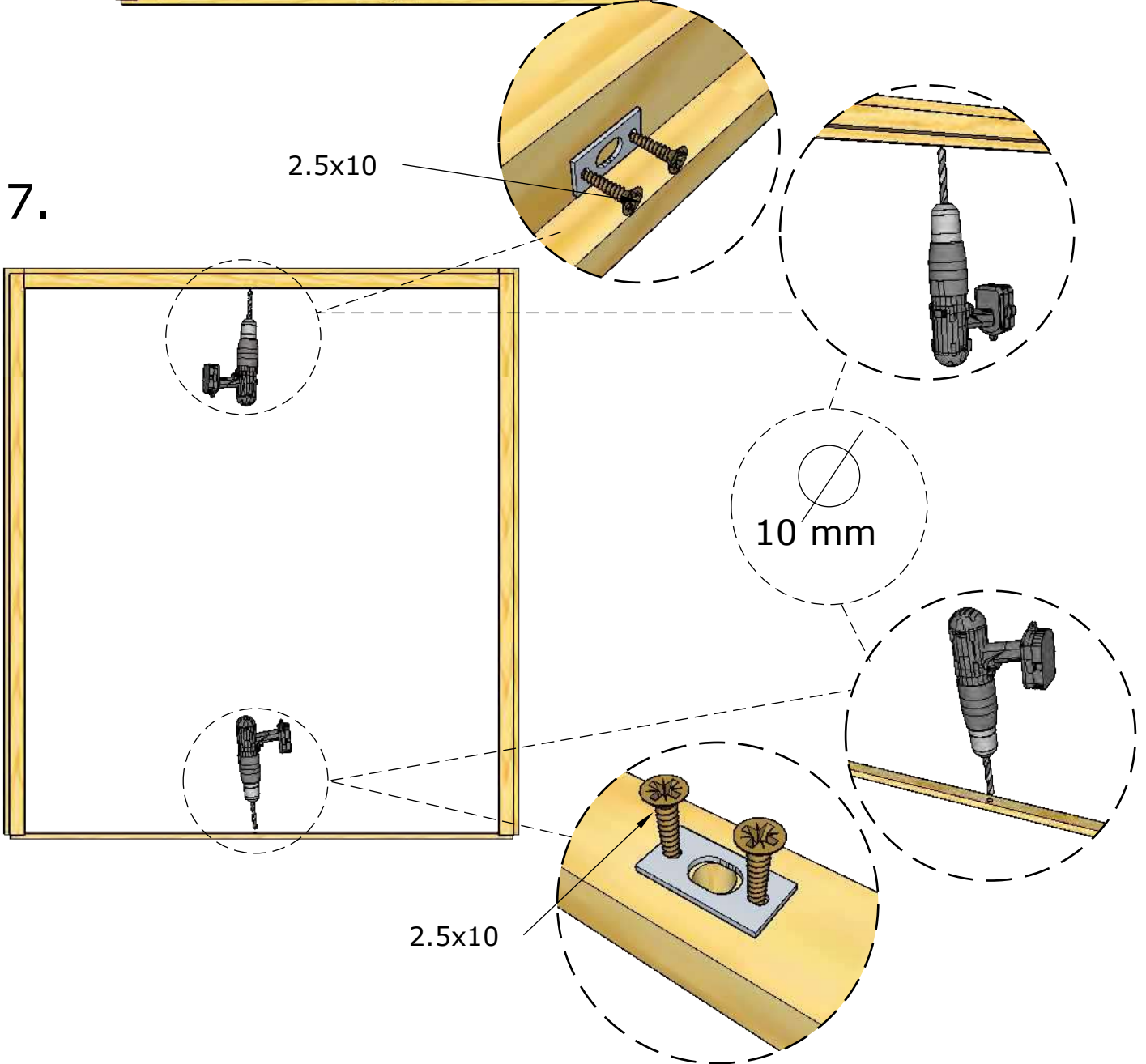
5.



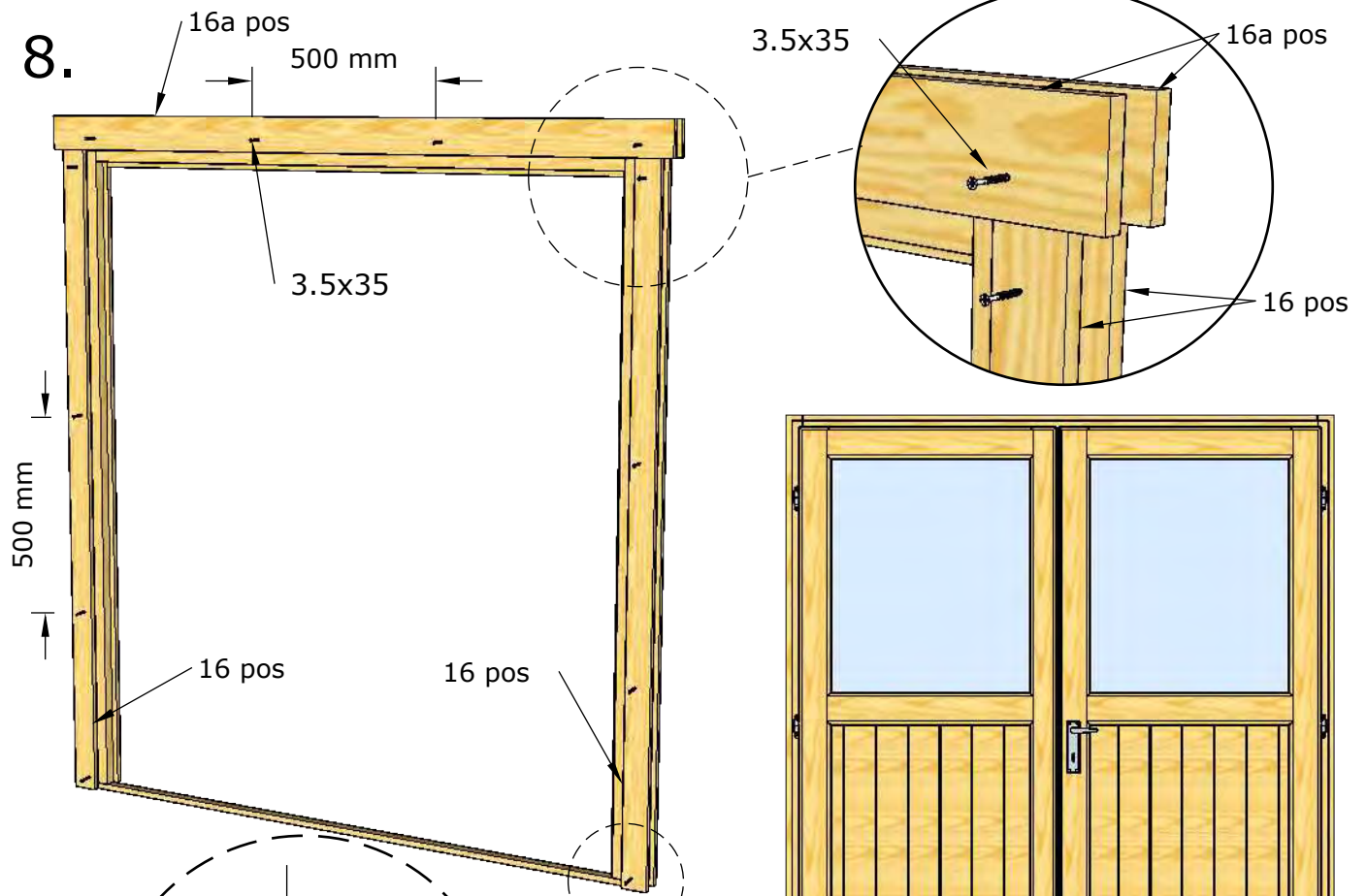
6.



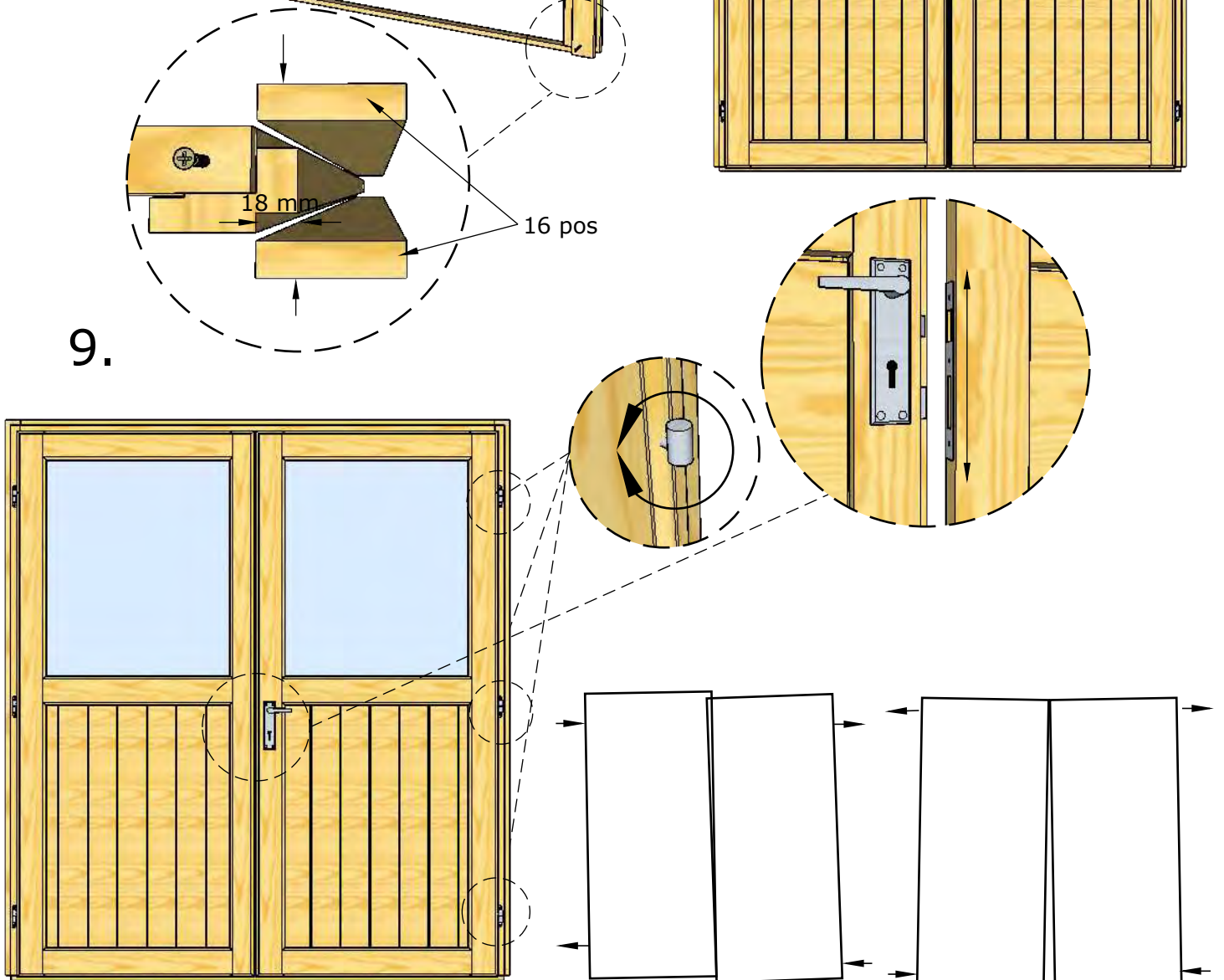
7.



8.



9.





3x16

