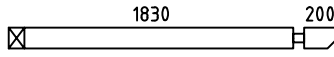
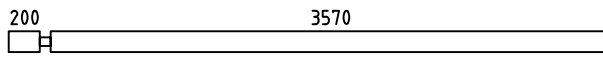
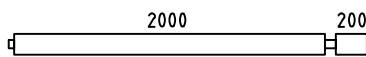
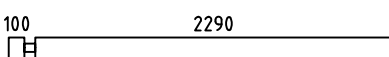
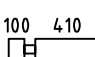
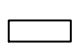
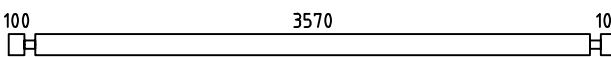
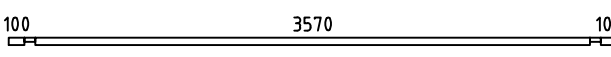
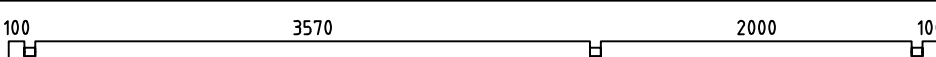
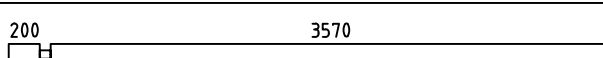
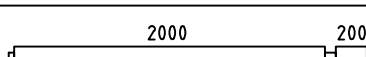
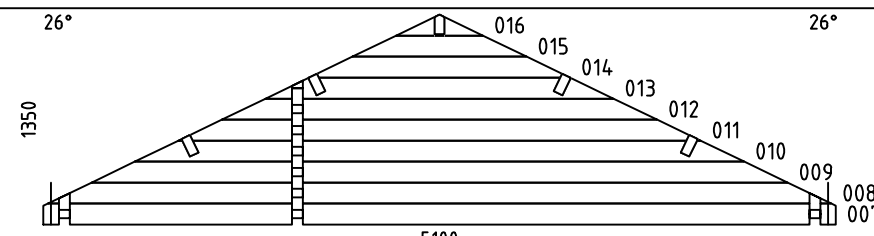
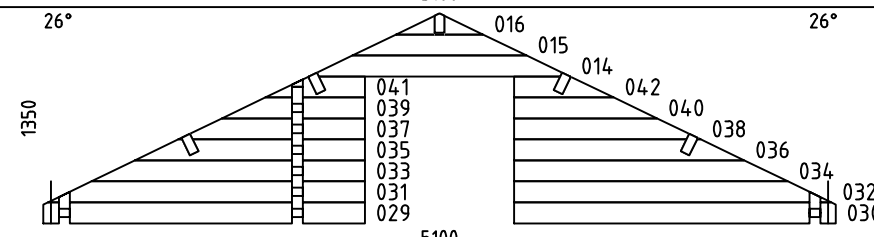
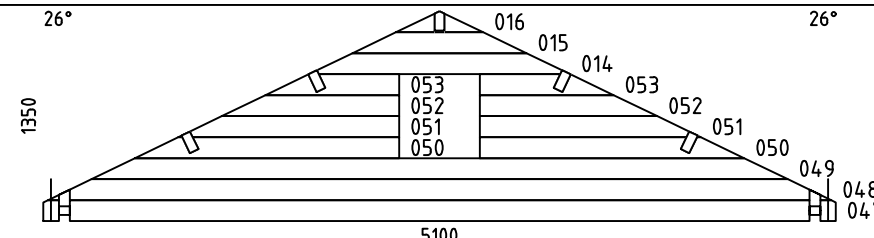
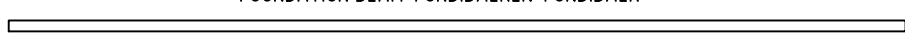
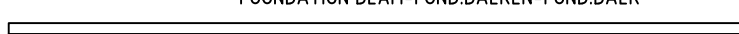
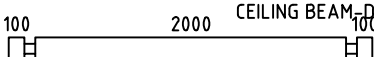
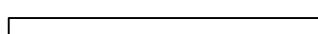
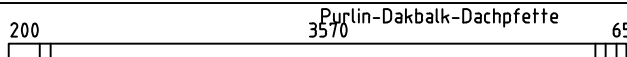


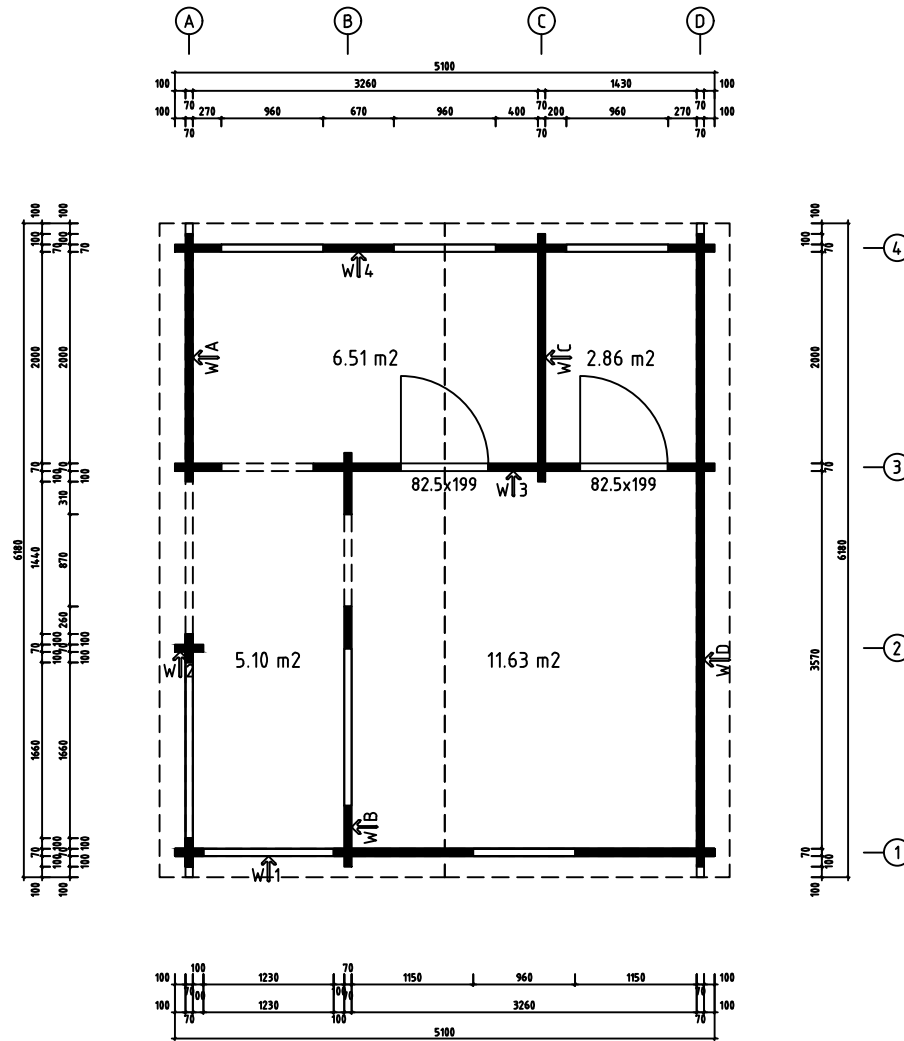
Edelweiss70

Pos	Specification-Spezifikation-Specificatie	St.	Profile (mm)	Length (mm)
001		2	70x68	5100
002		14	70x135	270
003		7	70x135	3600
004		11	70x135	5100
005		7	70x135	1320
006		7	70x135	1320
017		1	70x68	270
018		24	70x135	270
019		1	70x68	270
020		2	70x68	440
021		1	70x68	820
022		1	70x68	860
023		42	70x135	440
024		14	70x135	820
025		14	70x135	860
026		1	70x135	5100
027		1	70x135	5100
028		1	70x135	5100
043		7	70x135	670
044		7	70x135	670
045		1	70x135	5100
046		1	70x135	5100
054		3	70x135	2200
055		34	70x135	2340
056		2	70x135	4180
Kood	Materjal	File	Edelweiss70	Leht 1/3

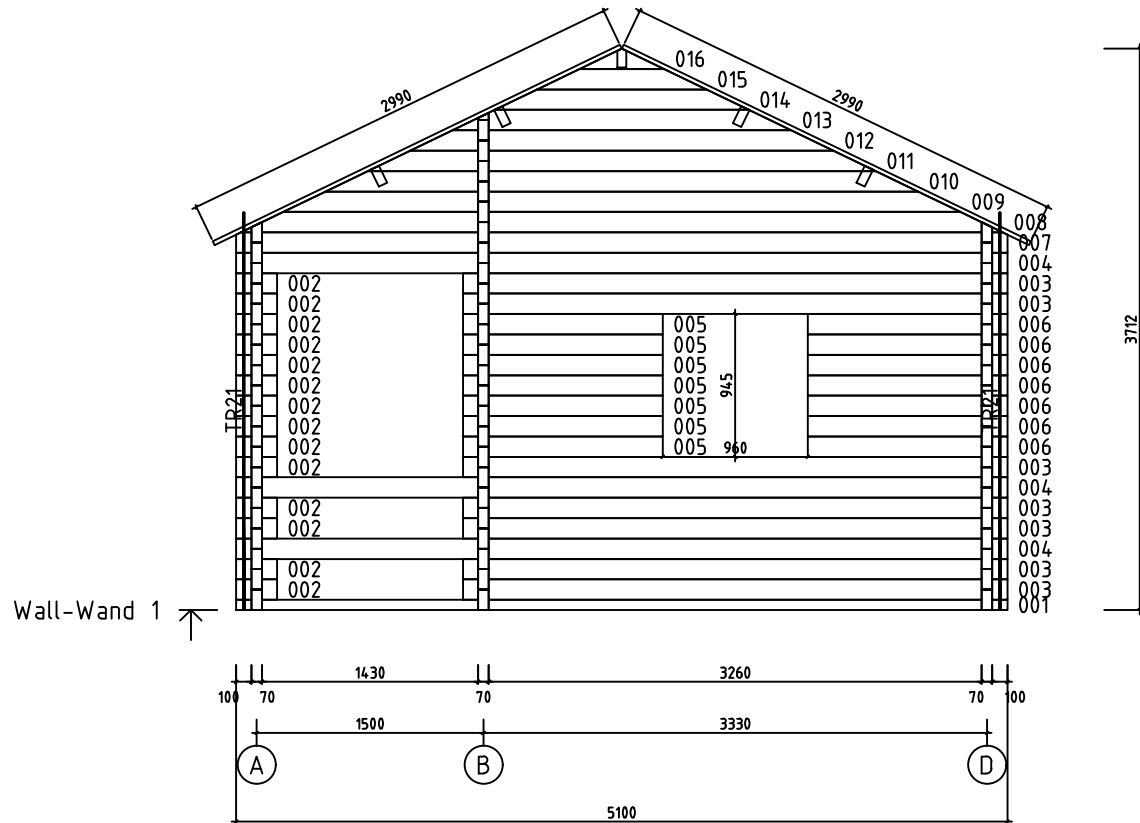
Pos	Specification-Spezifikation-Specificatie	St.	Profile (mm)	Length (mm)
057		2	70x135	2100
058		1	70x135	3875
059		1	70x135	2305
060		8	70x135	2460
061		22	70x135	580
062		7	70x135	400
063		9	70x135	3910
064		1	70x48	3910
065		17	70x135	5980
066		1	70x135	3875
067		1	70x135	2305
W1-1		1		
W3-1		1		
W4-1		1		
FB1	FOUNDATION BEAM-FUND.BALKEN-FUND.BALK 	4	44x70	5770
FB2	FOUNDATION BEAM-FUND.BALKEN-FUND.BALK 	16	44x70	4714
LT2	CEILING BEAM-DECKENBALKEN-PLAFOND BEAM 	5	70x144	2340
LT1	CEILING BEAM-DECKENBALKEN-PLAFOND BEAM 	2	44x144	2000
PR3	Purlin-Dakbalk-Dachpfette 	1	70x144	3975
Kood	Materjal	File	Edelweiss70	Leht 2/3

Pos	Specification-Spezifikation-Specificatie	St.	Profile (mm)	Length (mm)	
PR1		4	70x144	3975	
PR2		4	70x144	2405	
PR4		1	70x144	2405	
VB-1	Floor board-Fussbodenbrett-Vloerplank		18+1	114x28	4750
VB-2	Floor board-Fussbodenbrett-Vloerplank		29+1	114x28	3560
VB-3	Floor board-Fussbodenbrett-Vloerplank		42+2	114x28	1990
DP-1	Roof board-Dachbrett-Dakplank		110+2	114x28	2990
TB-1	Terrace board-Terrassendiele-Vlonderplank		13+1	114x28	3570
	Base Board-Fussbleiste-Plinten 18x40x3000		15	18x40	45rmt.
L-1	Eave Board-Traufbret-Dakranden board 95		4	18x95	3090
L-2	Eave Slat-Traufenteiste-Afdekljst		4	40x18	3090
L-3	Facia Board-Giebelblende-Gevelplank		4	18x120	3030
L-4	Facia Slat-Giebelleiste-Gevelljst		4	40x18	3030
HL-1	Handrail-Handlauf-Leuning 95		1	95x18	1230
HL-2	Handrail-Handlauf-Leuning 95		1	95x18	1955
TR21	Threaded rod Set-Gewindestange Satz-Draadstang Set2		6	M10	2630
D1	Diamond		2		
	Inside Door Set-Tür Satz-Deur Set		2		
	DOOR 825x1990 IND 82.5x199 R 	2			
Kood	Materjal	File	Edelweiss70	Leht	3/3

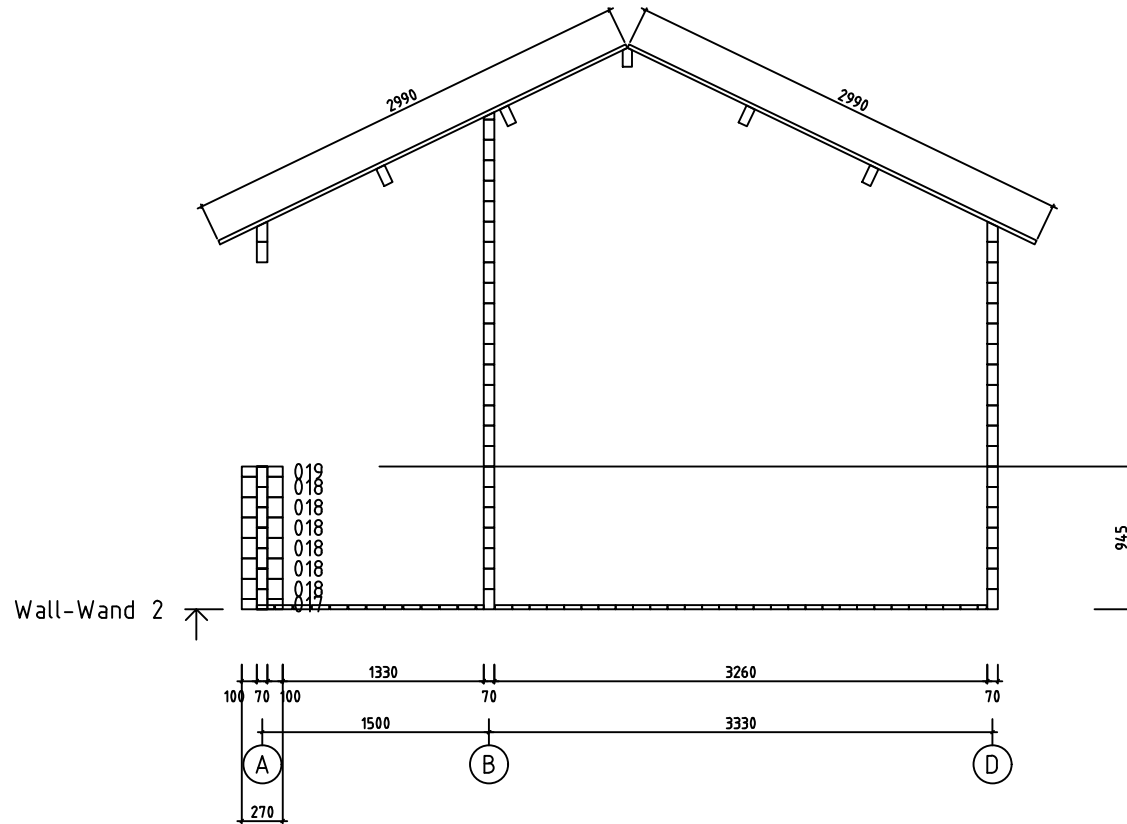
H = 1.500 m
 TOTAL: 26.10 m²



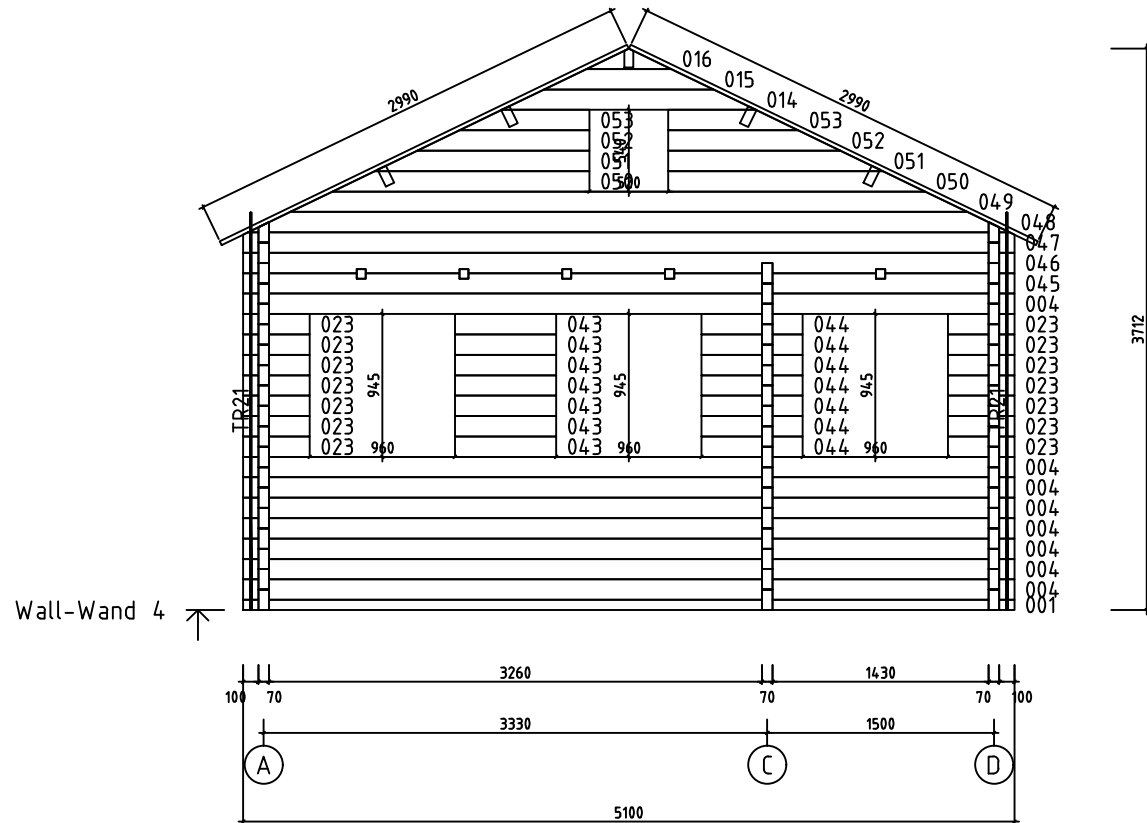
Model	Edelweiss70	Page	PLAN
Client		Scale	1:50
Material	70x135	Date	15.06.2021
Company	Edelweiss70		



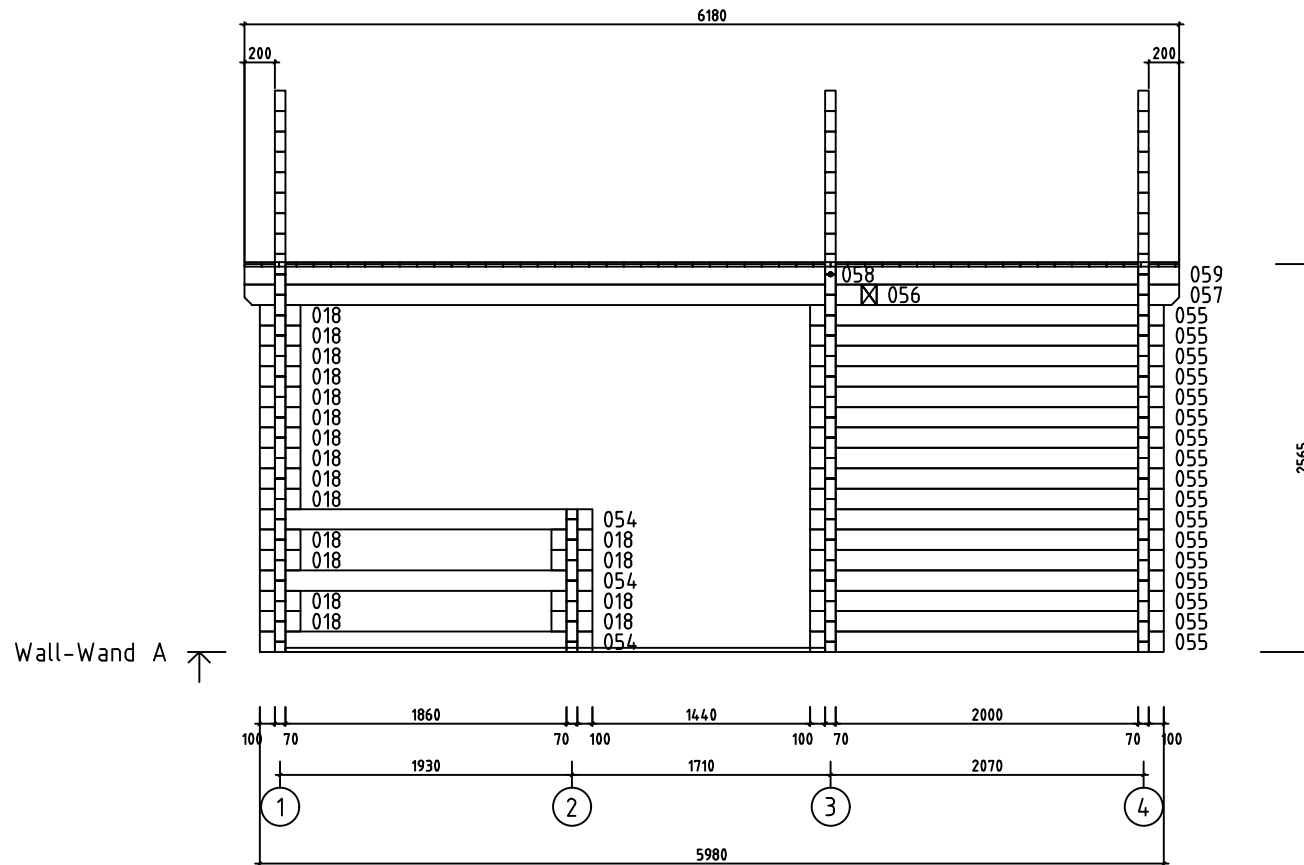
Model	Edelweiss70	Page	7
Client		Scale	1:50
Material	7x13.5	Date	15.06.2021
Company		File	Edelweiss70



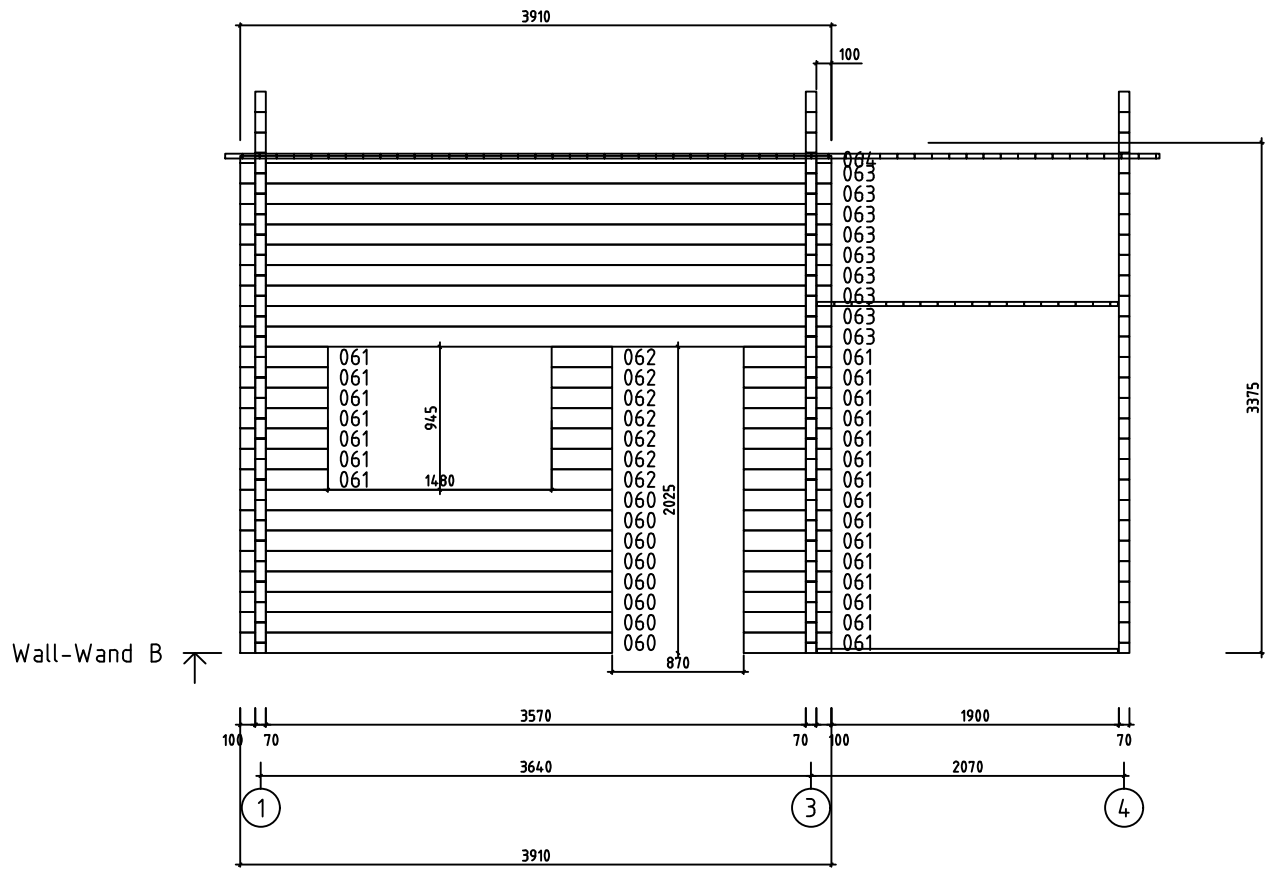
Model	Edelweiss70	Page	8
Client		Scale	1:50
Material	7x13.5	Date	15.06.2021
Company		File	Edelweiss70



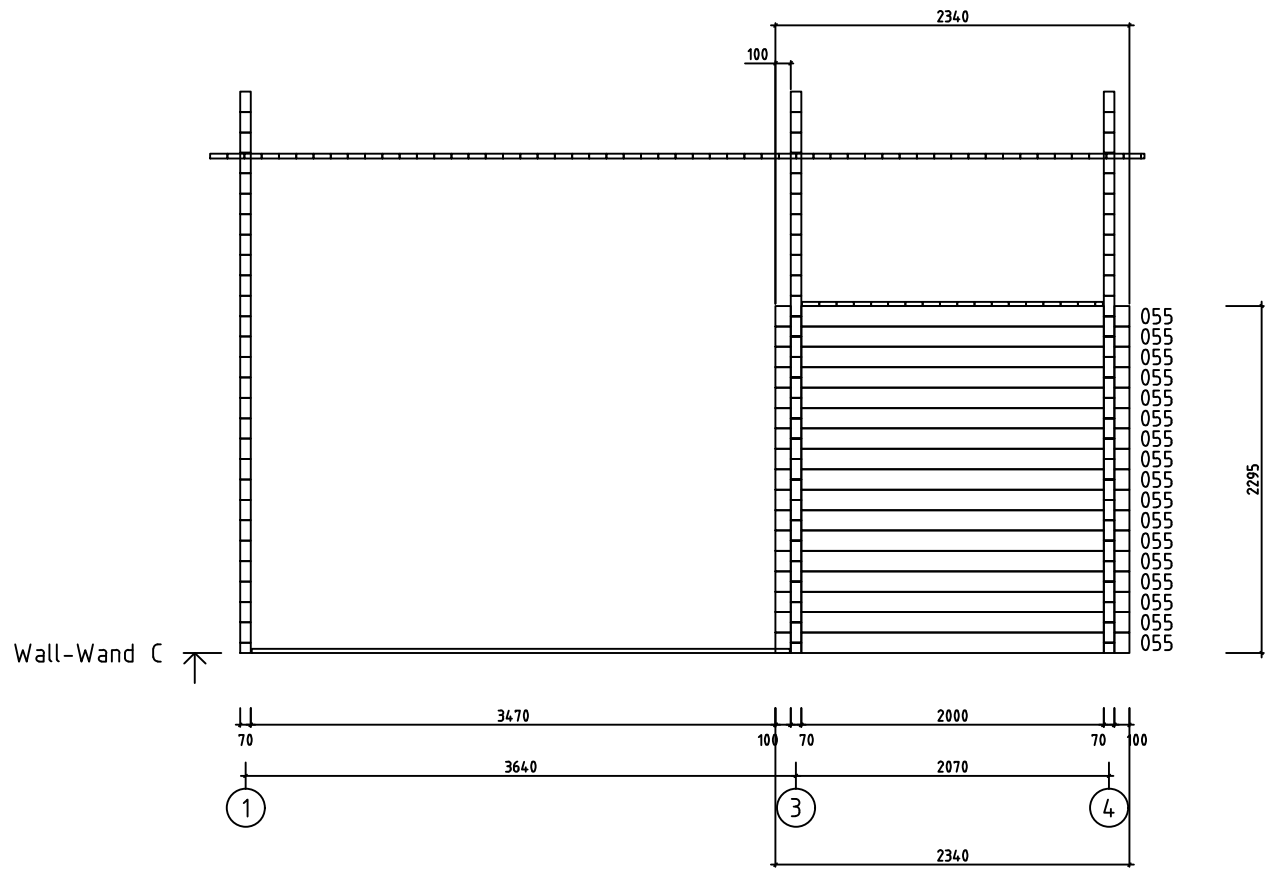
Model	Edelweiss70	Page	10
Client		Scale	1:50
Material	7x13.5	Date	15.06.2021
Company		File	Edelweiss70



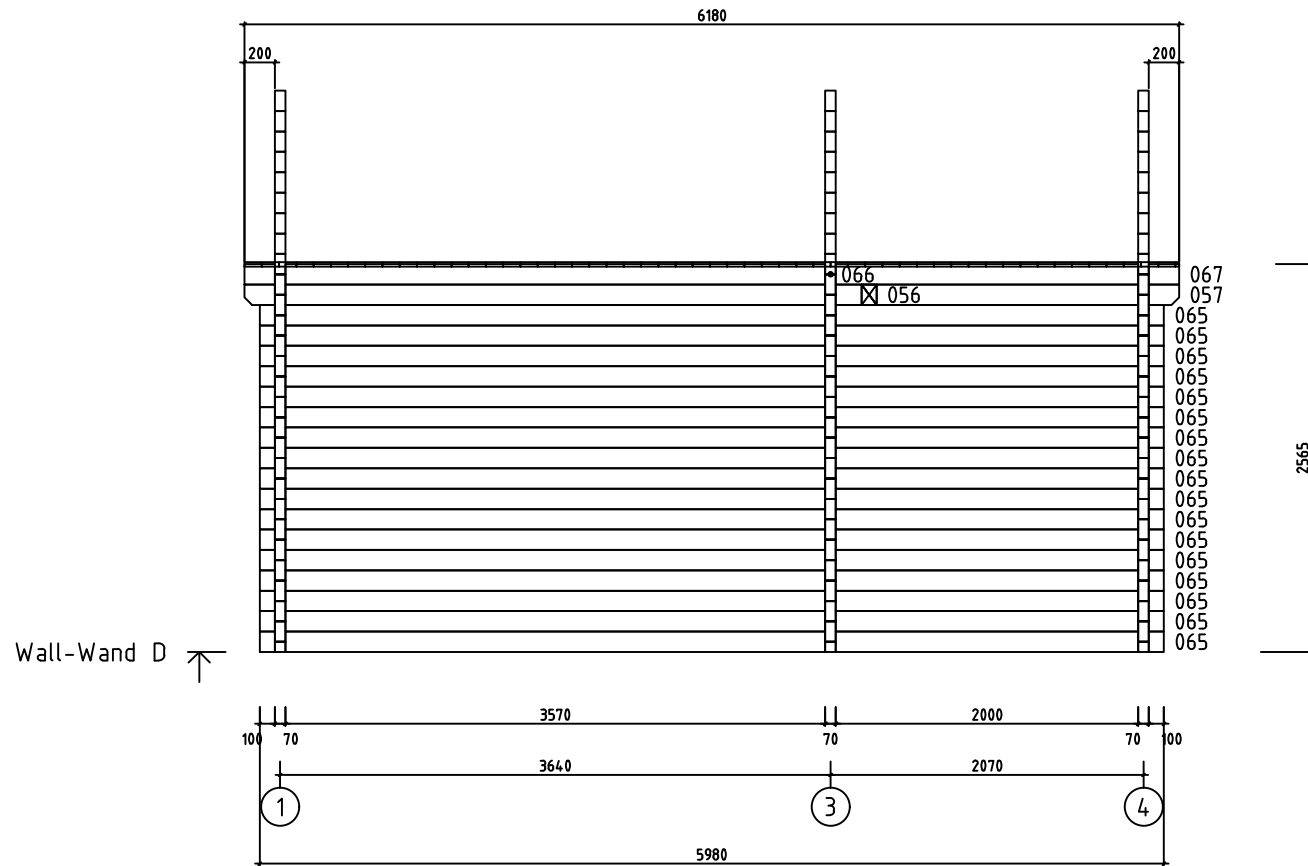
Model	Edelweiss70	Page	3
Client		Scale	1:50
Material	7x13.5	Date	15.06.2021
Company		File	Edelweiss70



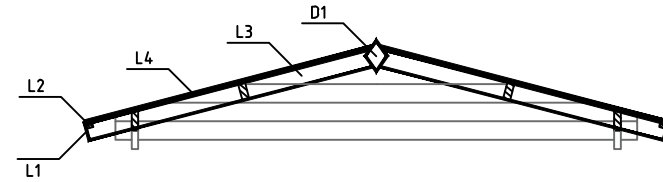
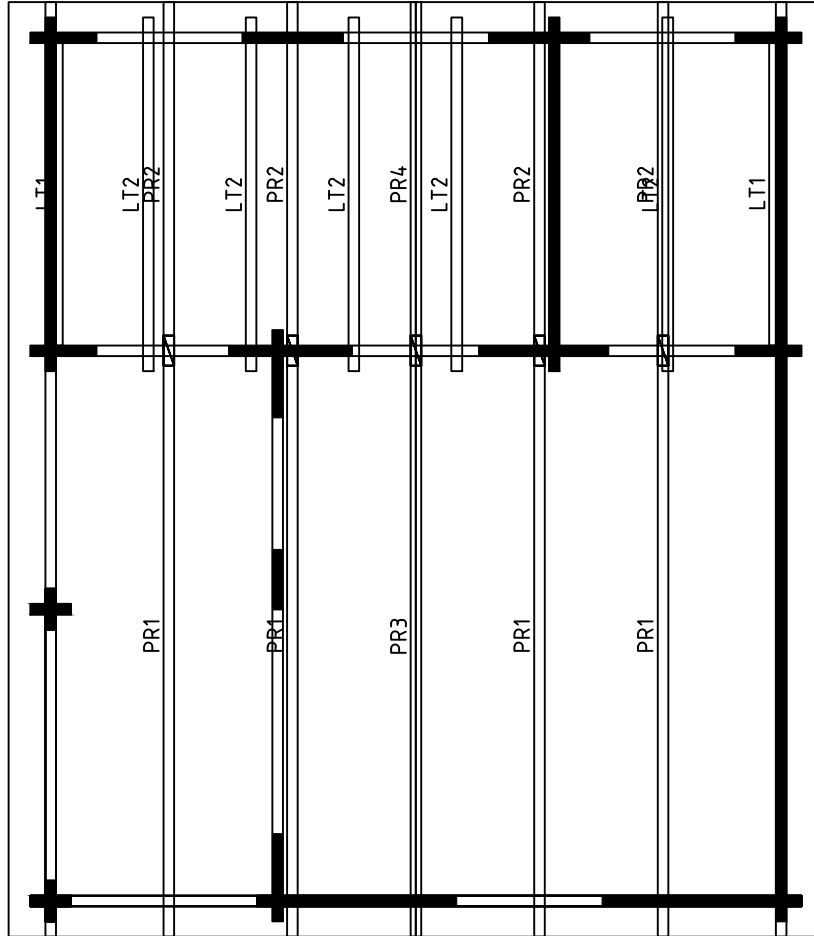
Model	Edelweiss70	Page	4
Client		Scale	1:50
Material	7x13.5	Date	15.06.2021
Company		File	Edelweiss70



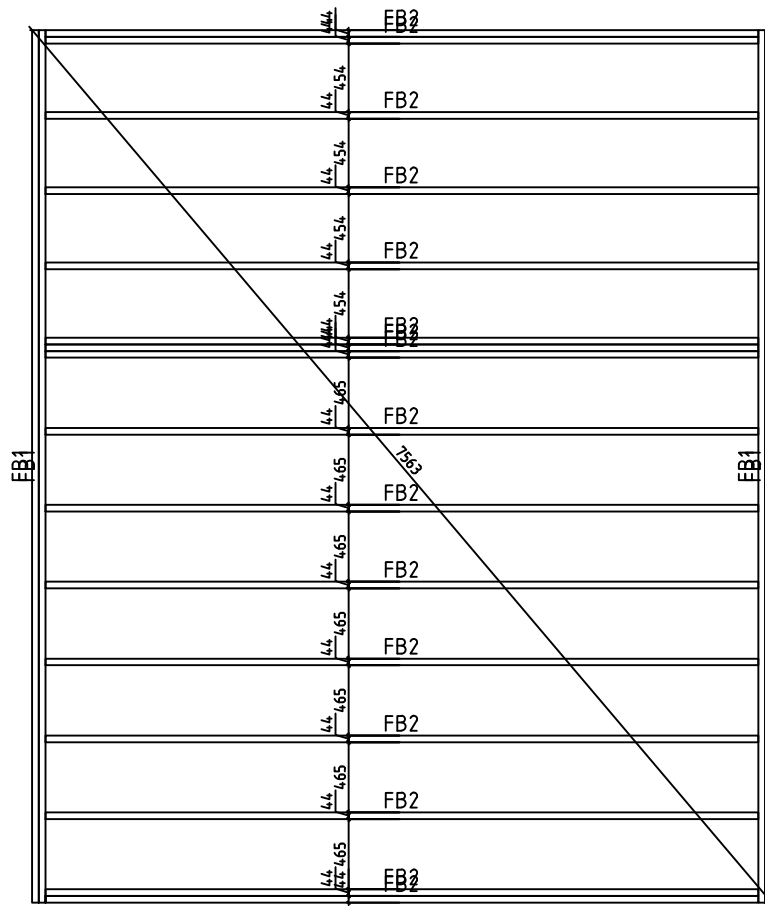
Model	Edelweiss70	Page	5
Client		Scale	1:50
Material	7x13.5	Date	15.06.2021
Company		File	Edelweiss70



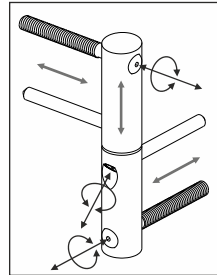
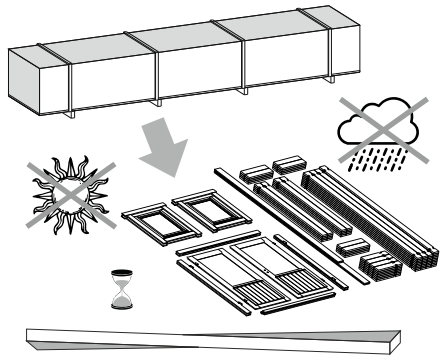
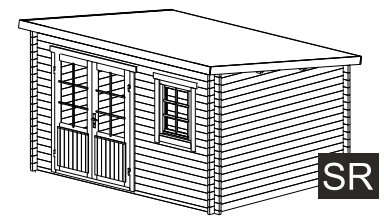
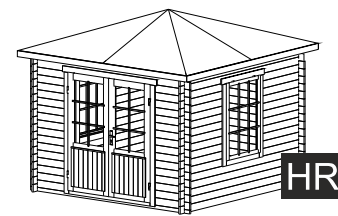
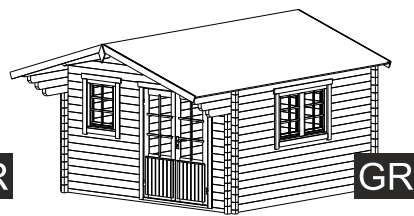
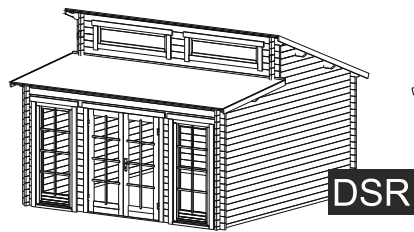
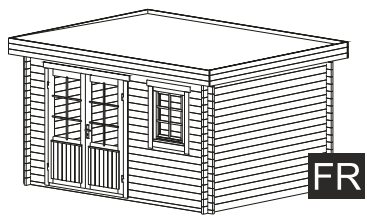
Model	Edelweiss70	Page	6
Client		Scale	1:50
Material	7x13.5	Date	15.06.2021
Company		File	Edelweiss70



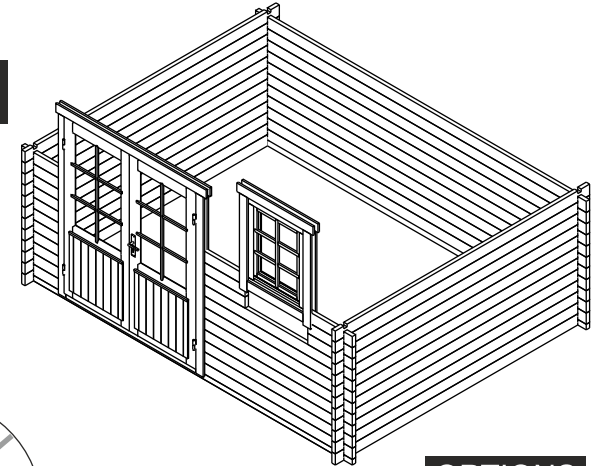
Model	Edelweiss70	Page	ROOF
Client		Scale	1:50
Material	70x135	Date	15.06.2021
Company		File	Edelweiss70



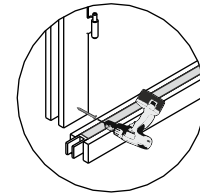
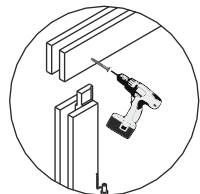
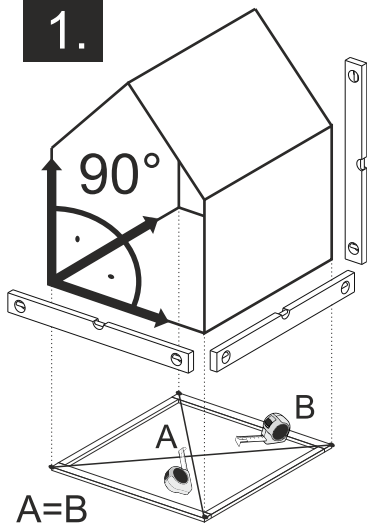
Model	Edelweiss70	Page	FOUNDATION
Client		Scale	1:50
Material	70x135	Date	15.06.2021
Company		File	Edelweiss70



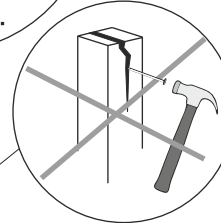
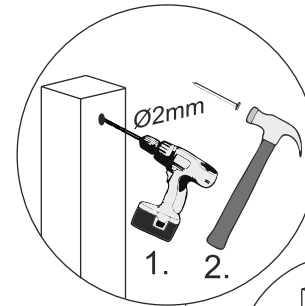
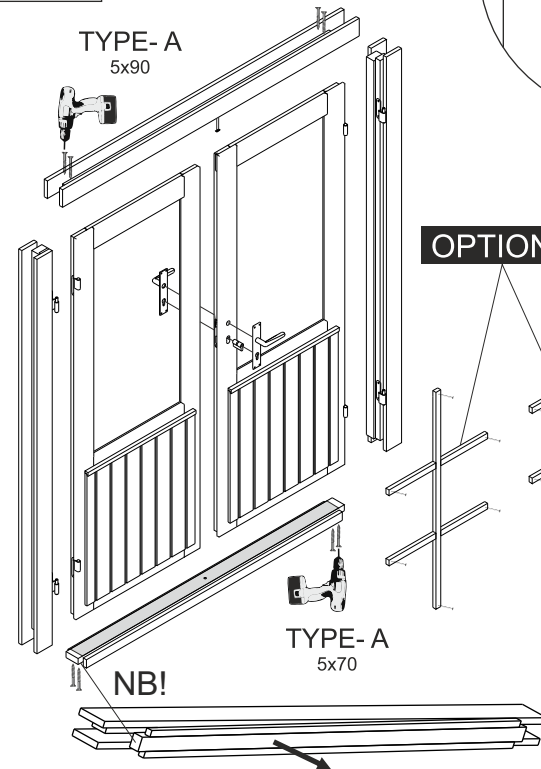
3.



1.

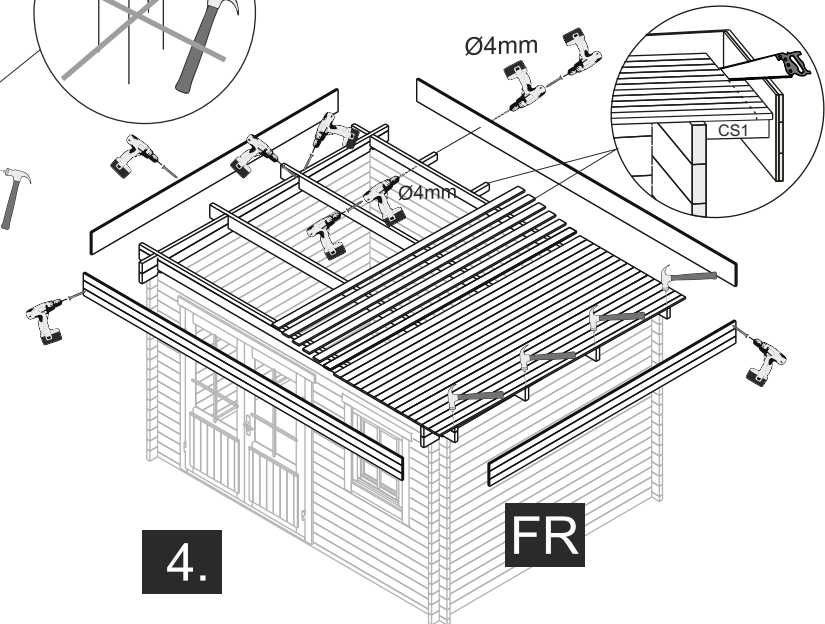


2.

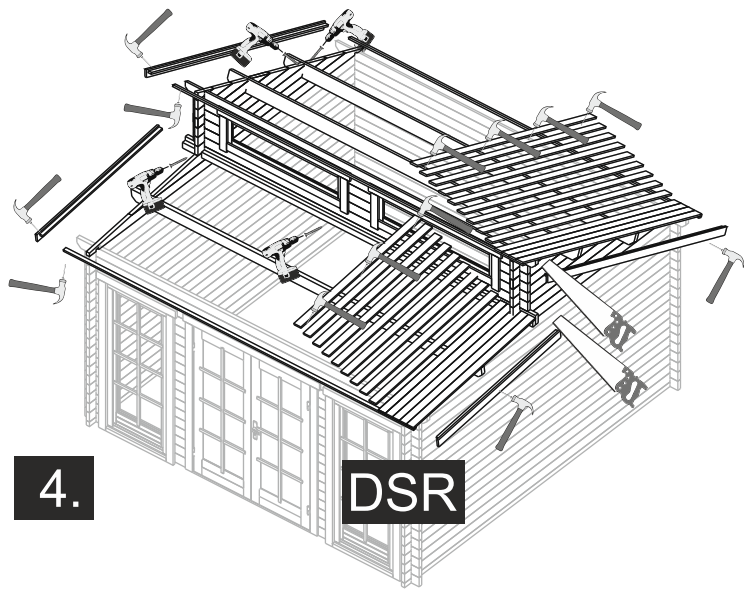


OPTIONS

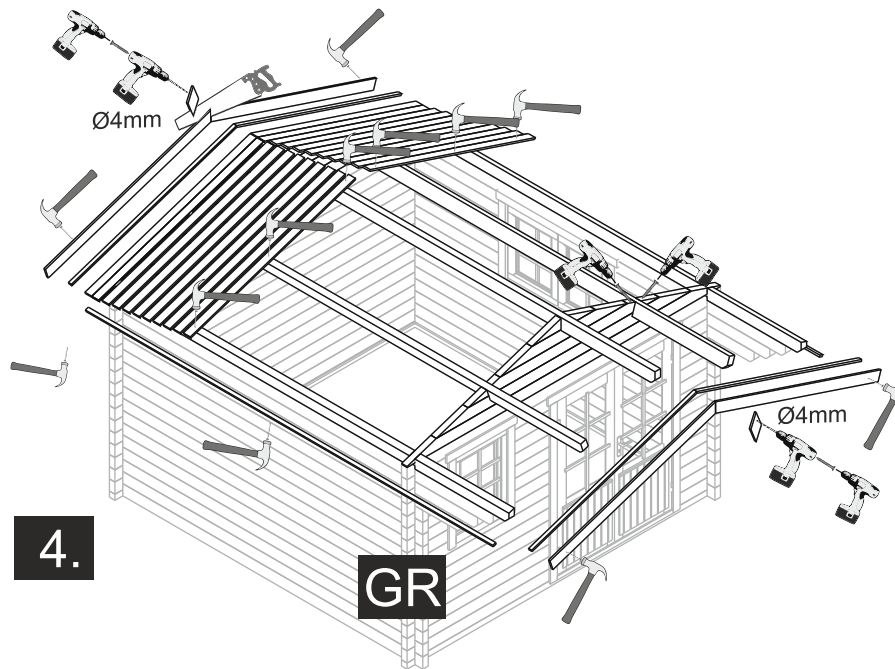
4.



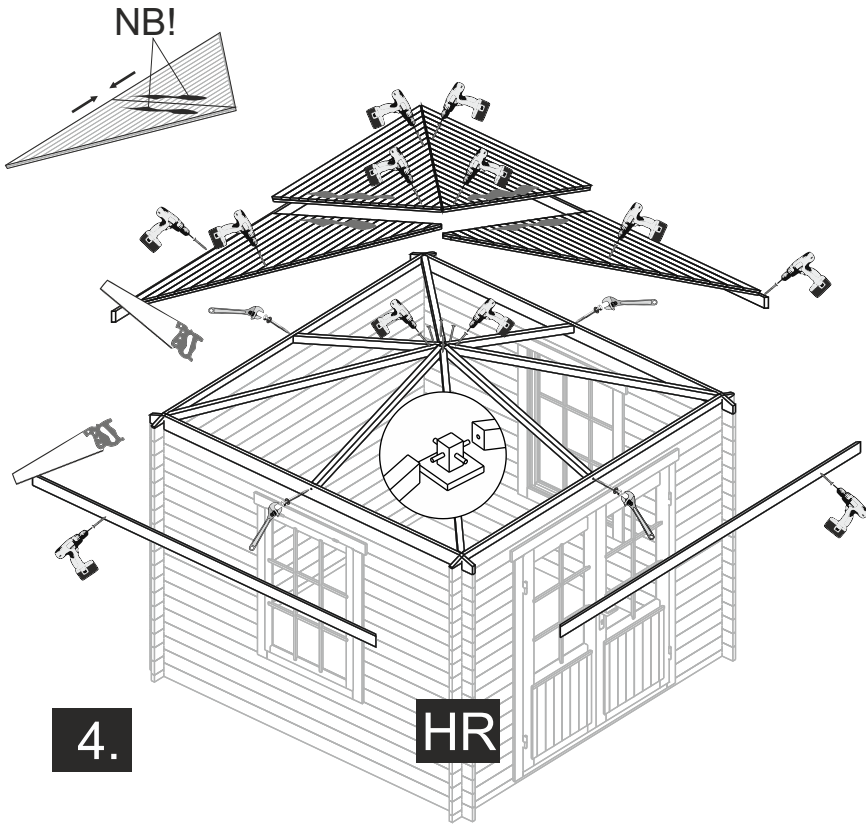
The guide is illustrative. This guide is not project specification.
Der Leitfaden ist illustrativ. Dieser Leitfaden ist keine Projektspezifikation.
De gids is illustratief. Deze gids is geen projectspecificatie.



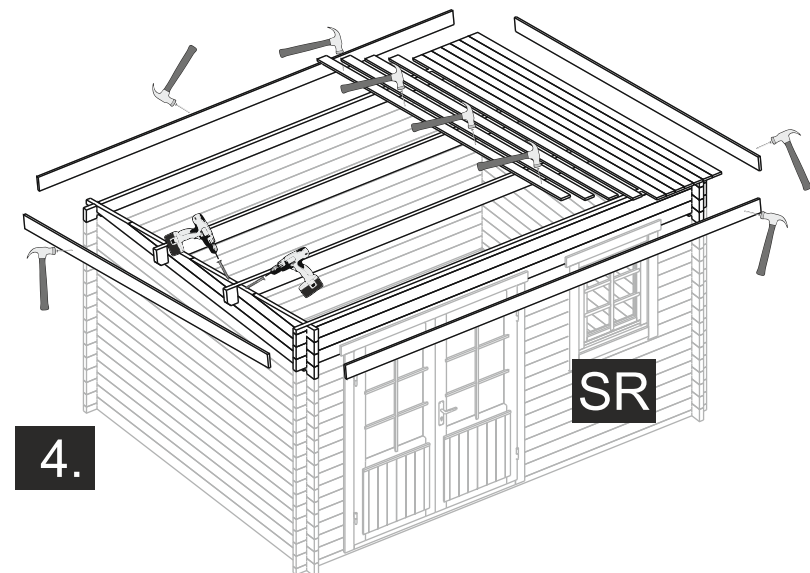
DSR



GR



HR



SR

OPTIONS

