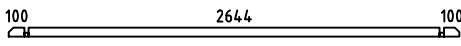
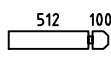
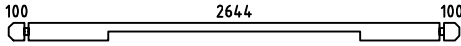
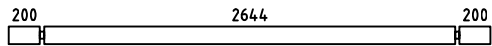
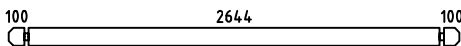
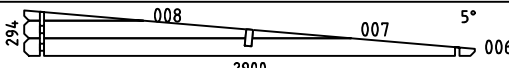
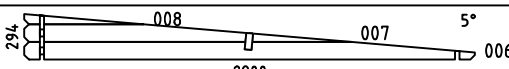
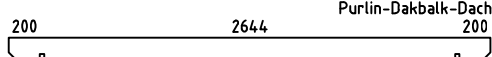


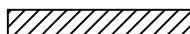


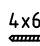
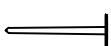
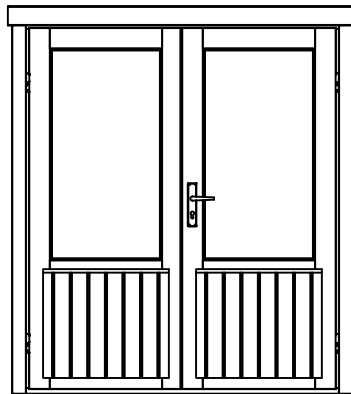
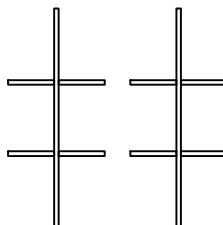
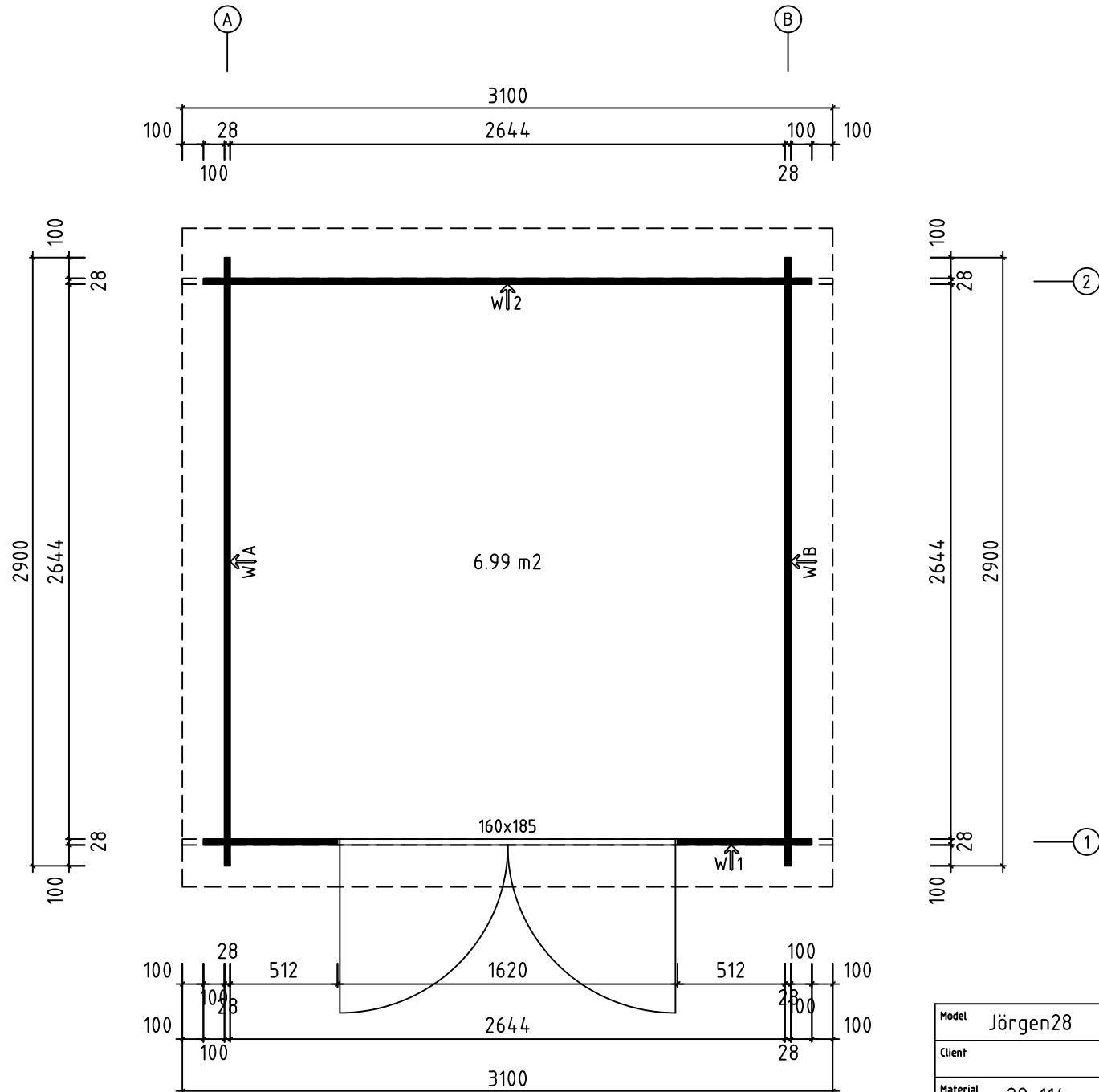


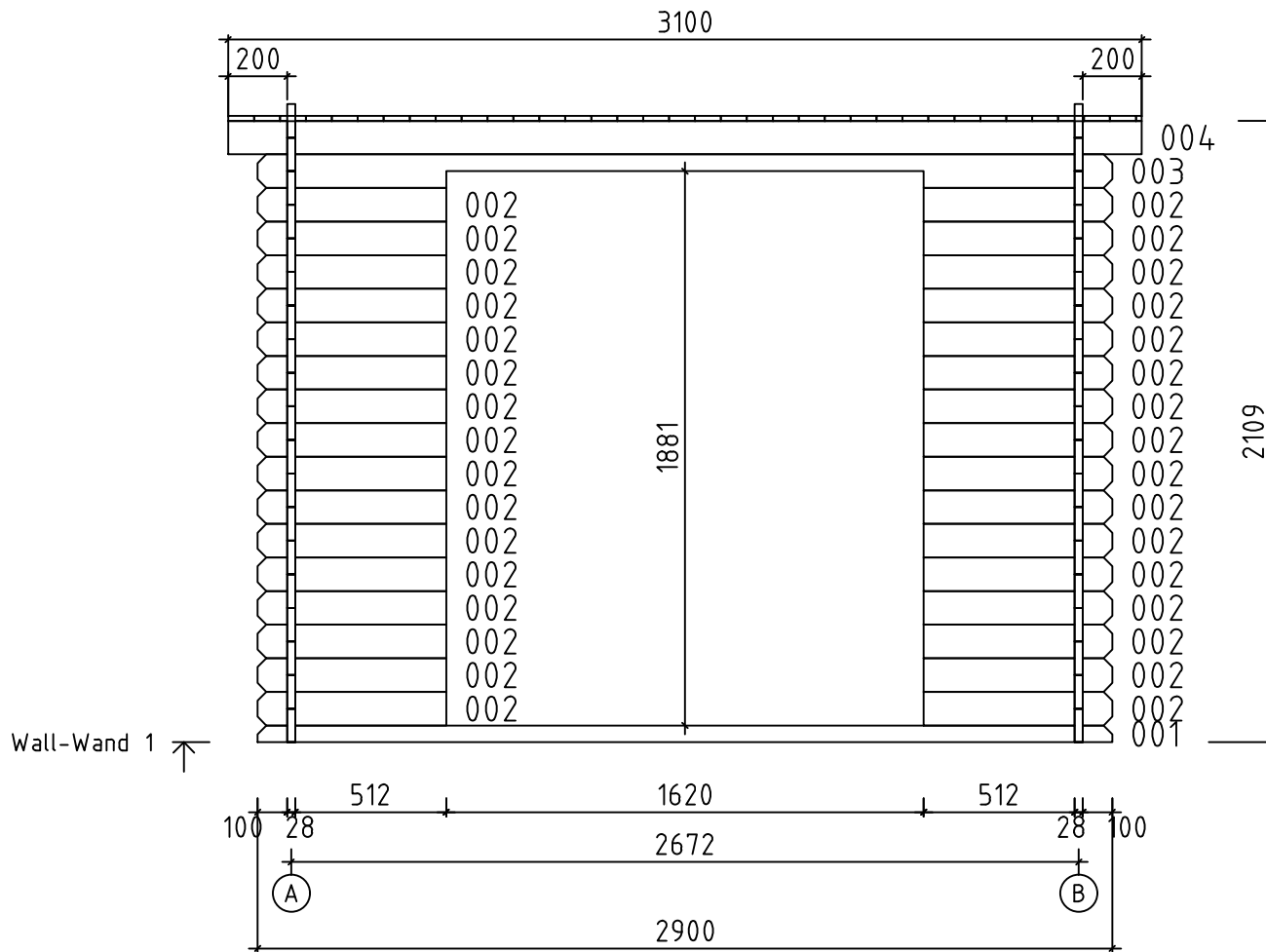
Jörgen28

| Pos | Specification-Spezifikation-Specificatie | St. | Profile (mm) | Length (mm) |
|------|---|------|---|-------------|
| 001 |  | 2 | 28x57 | 2900 |
| 002 |  | 32 | 28x114 | 640 |
| 003 |  | 1 | 28x114 | 2900 |
| 004 |  | 2 | 28x114 | 3100 |
| 005 |  | 47 | 28x114 | 2900 |
| WA-1 |  | 1 | | |
| WB-1 |  | 1 | | |
| PR1 |  | 1 | 44x14.4 | 3100 |
| DP-1 | Roof board-Dachbrett-Dakplank  | 36 | 88x18 | 3150 |
| L-1 | Eave Board-Traufenblende-Afdeklank  | 2 | 18x120 | 3136 |
| L-2 | Facia Board-Giebelblende-Gevelplank  | 2 | 18x120 | 3190 |
| | Double Door Set-Doppeltür Satz-Dubbele Deur Set  | 1 | 3x25  x2 4x60  x4 | |
| | Nail-Nagel-Spijker 1.6x30  | 15 | 1.6x30 | |
| | DOOR 1600x1850 DD6 160x185  Door Glazing Bar Türsprossen Deurroeden  | 1 | | |
| | | | | |
| | | | | |
| | | | | |
| | | | | |
| | | | | |
| | | | | |
| Kood | Materjal | File | Jörgen28.dwg | Leht 1/1 |

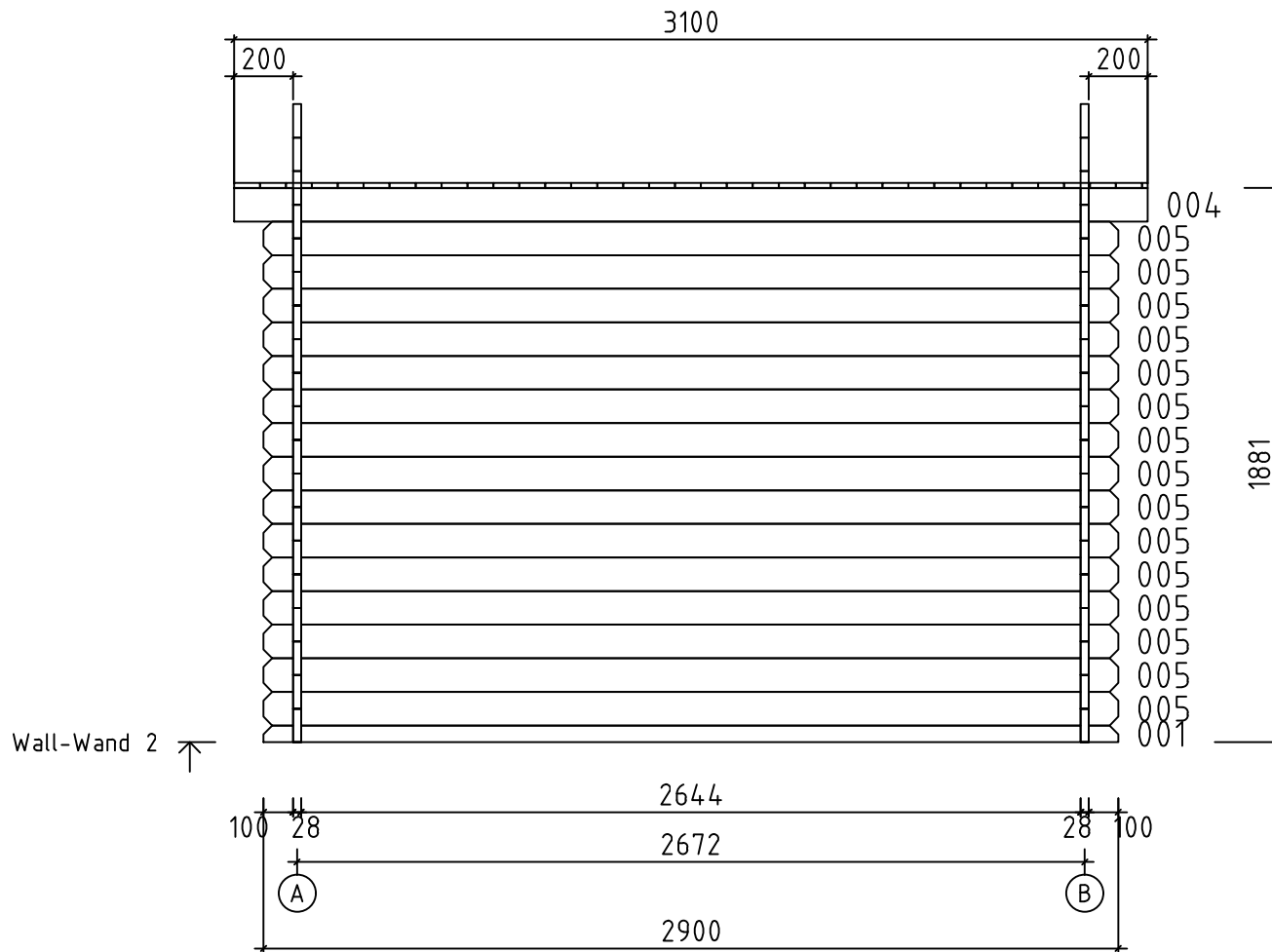
H = 1.700 m
 TOTAL: 6.99 m²



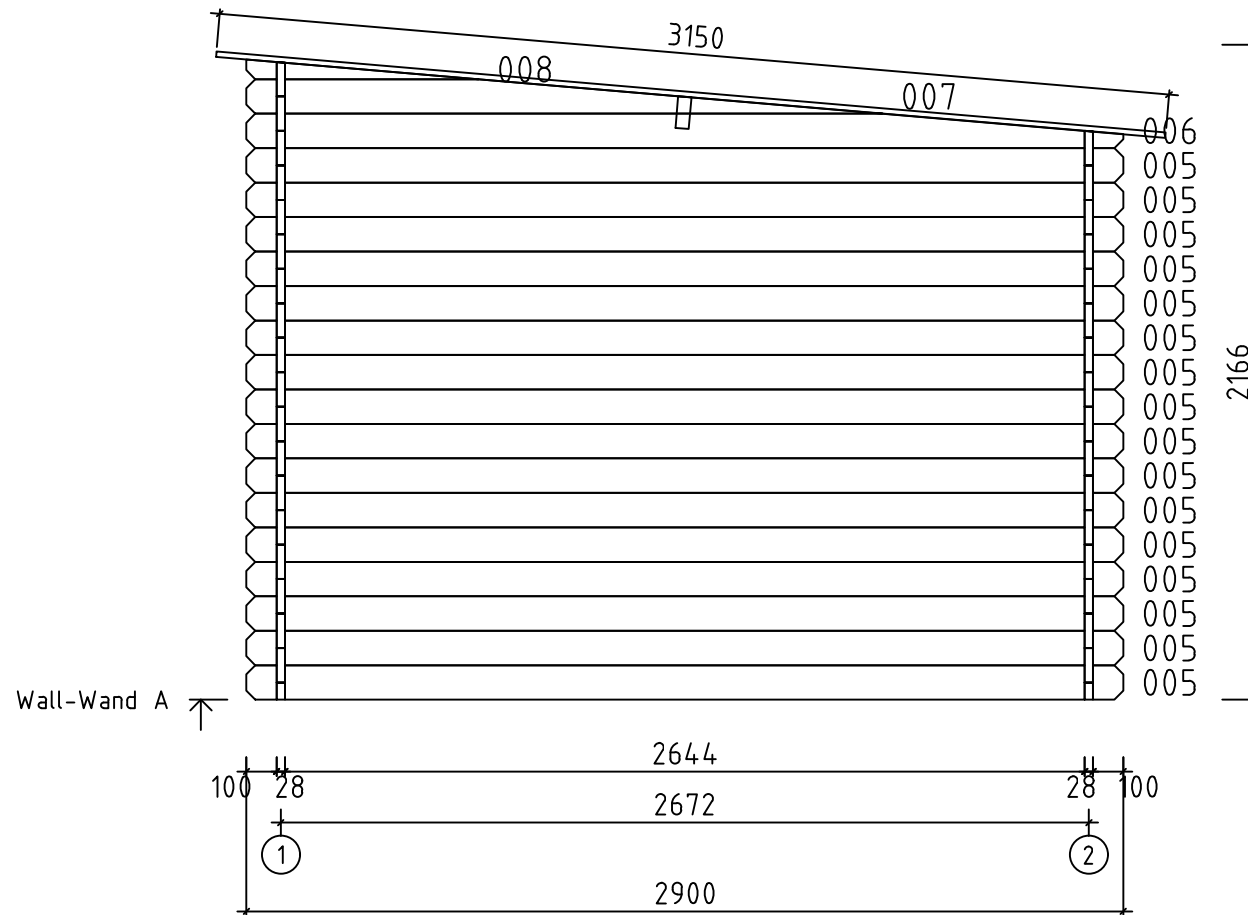
| | | | |
|----------|----------|-------|--------------|
| Model | Jörgen28 | Page | |
| Client | | Scale | 1:25 |
| Material | 28x114 | Date | 10.11.2021 |
| Company | | File | Jörgen28.dwg |



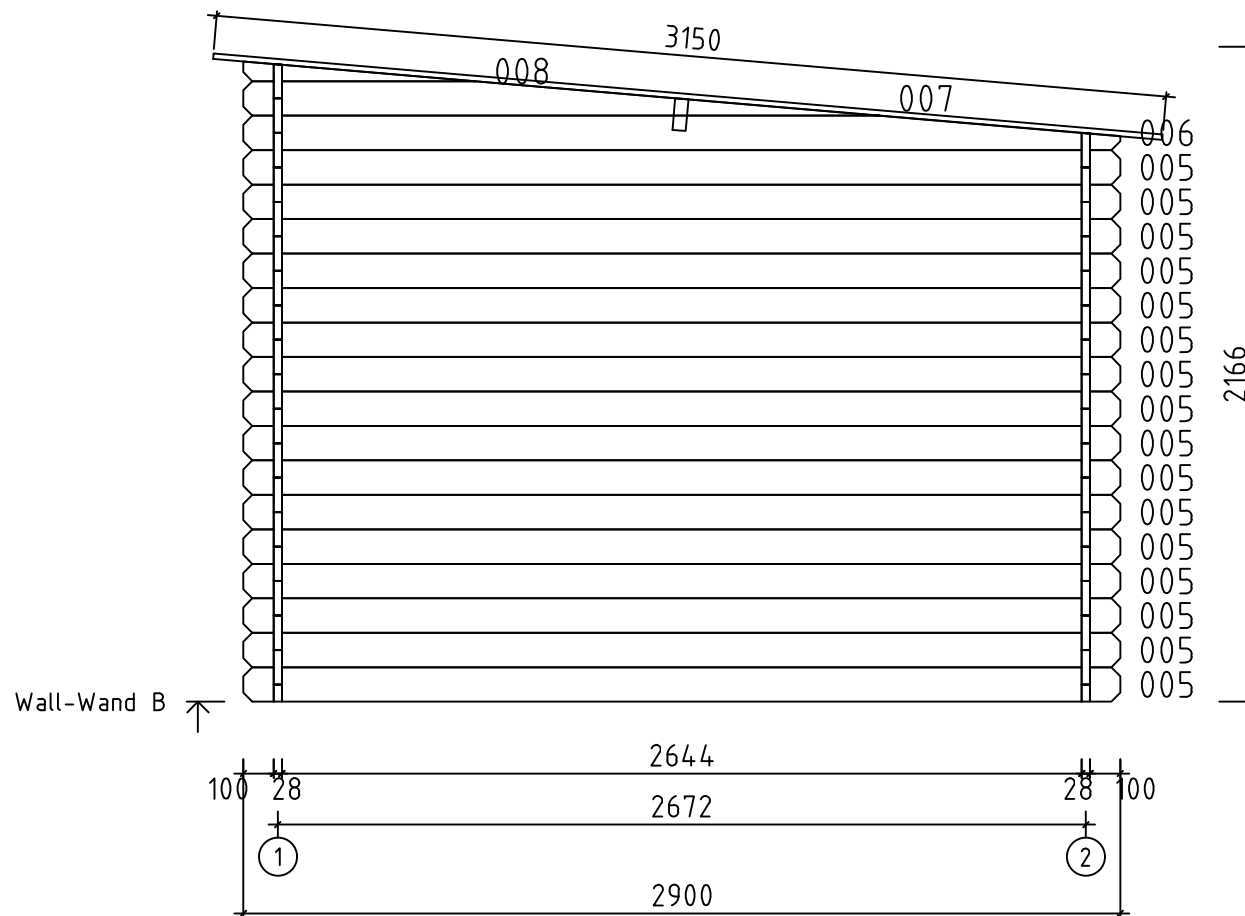
| | | | |
|----------|----------|-------|--------------|
| Model | Jörgen28 | Page | 4 |
| Client | | Scale | 1:25 |
| Material | 2.8x11.4 | Date | 10.11.2021 |
| Company | | File | Jörgen28.dwg |



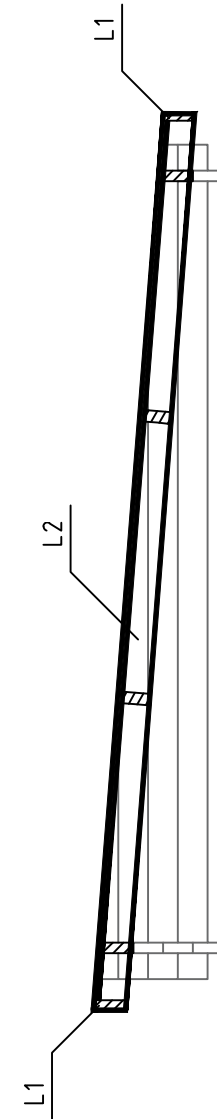
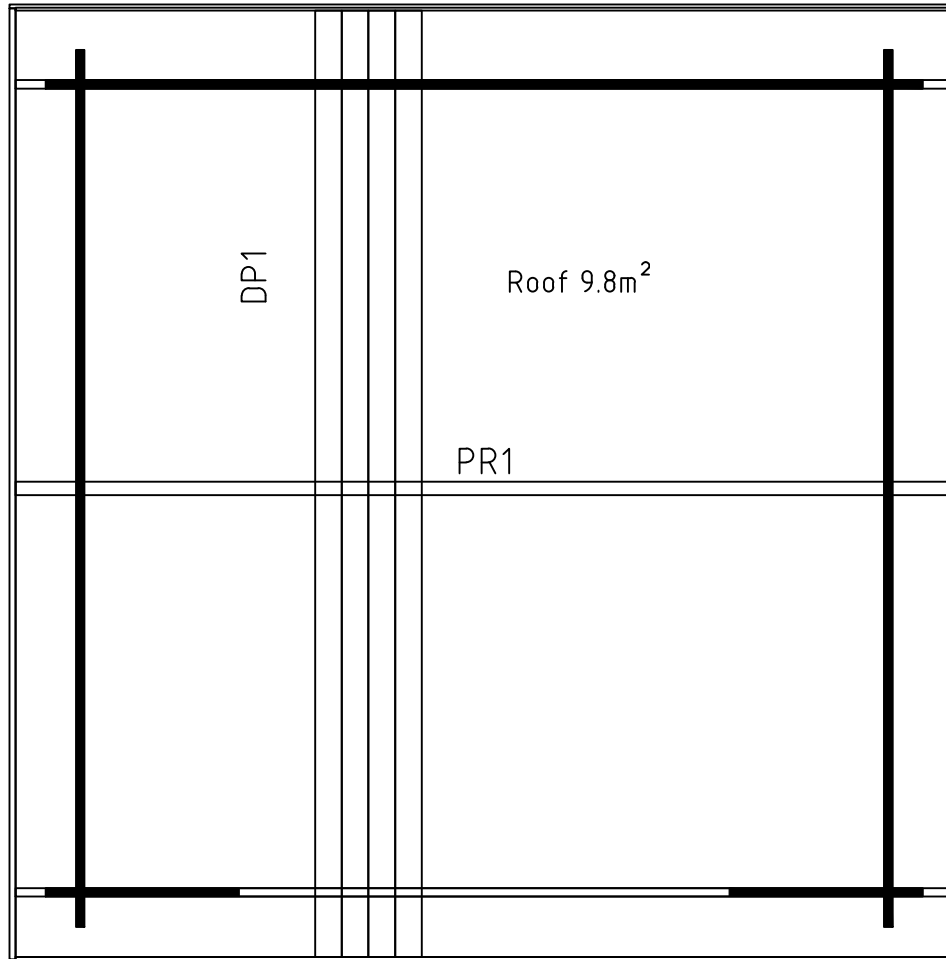
| | | | |
|----------|----------|-------|--------------|
| Model | Jörgen28 | Page | 5 |
| Client | | Scale | 1:25 |
| Material | 2.8x11.4 | Date | 10.11.2021 |
| Company | | File | Jörgen28.dwg |



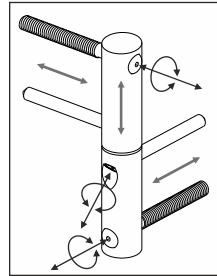
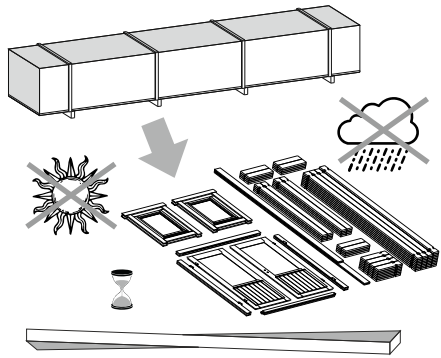
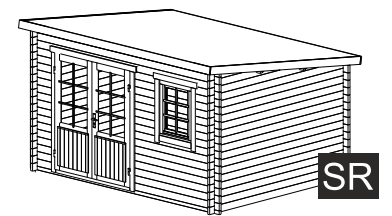
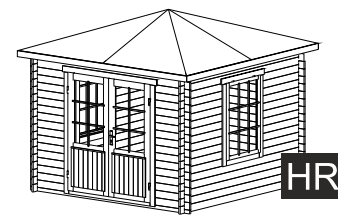
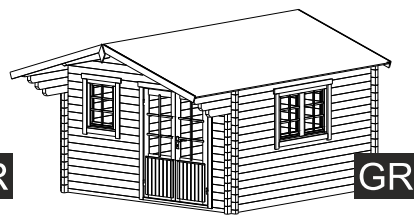
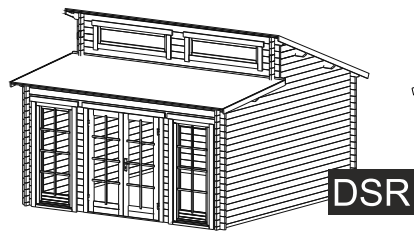
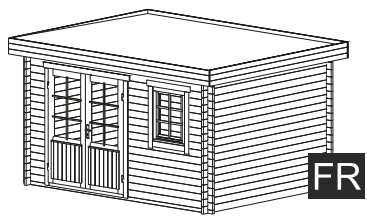
| | | | |
|----------|----------|-------|--------------|
| Model | Jörgen28 | Page | 2 |
| Client | | Scale | 1:25 |
| Material | 2.8x11.4 | Date | 10.11.2021 |
| Company | | File | Jörgen28.dwg |



| | | | |
|----------|----------|-------|--------------|
| Model | Jörgen28 | Page | 3 |
| Client | | Scale | 1:25 |
| Material | 2.8x11.4 | Date | 10.11.2021 |
| Company | | File | Jörgen28.dwg |

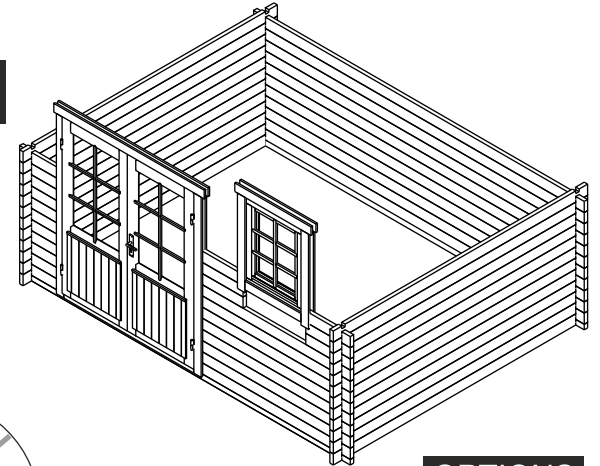


| | | | |
|----------|----------|-------|--------------|
| Model | Jörgen28 | Page | |
| Client | | Scale | 1:25 |
| Material | 28x114 | Date | 10.11.2021 |
| Company | | File | Jörgen28.dwg |

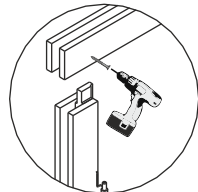
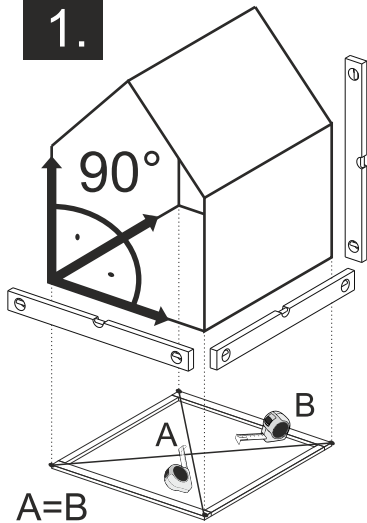


ADJUSTABLE HINGES

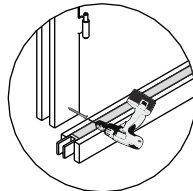
3.



1.

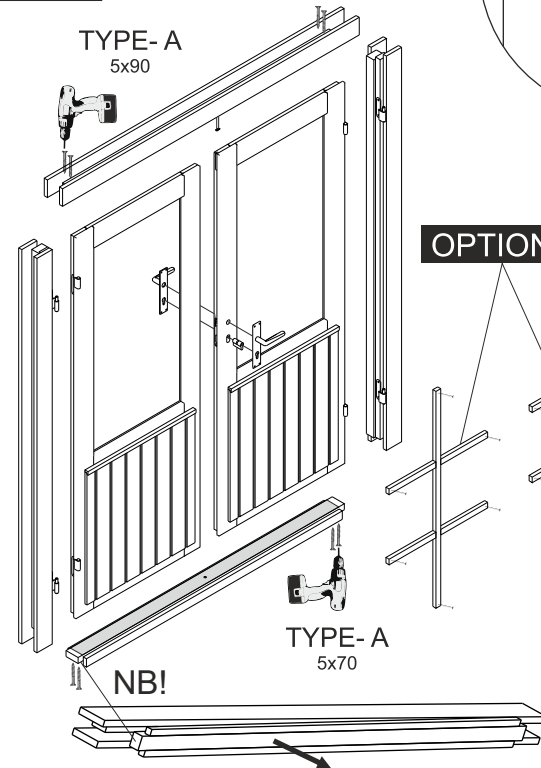


TYPE- B
4x60

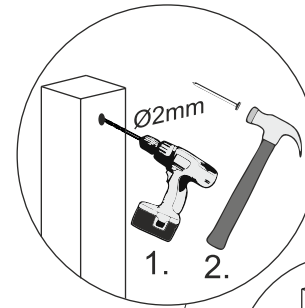


TYPE- A
5x70

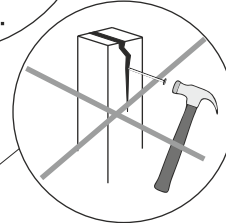
2.



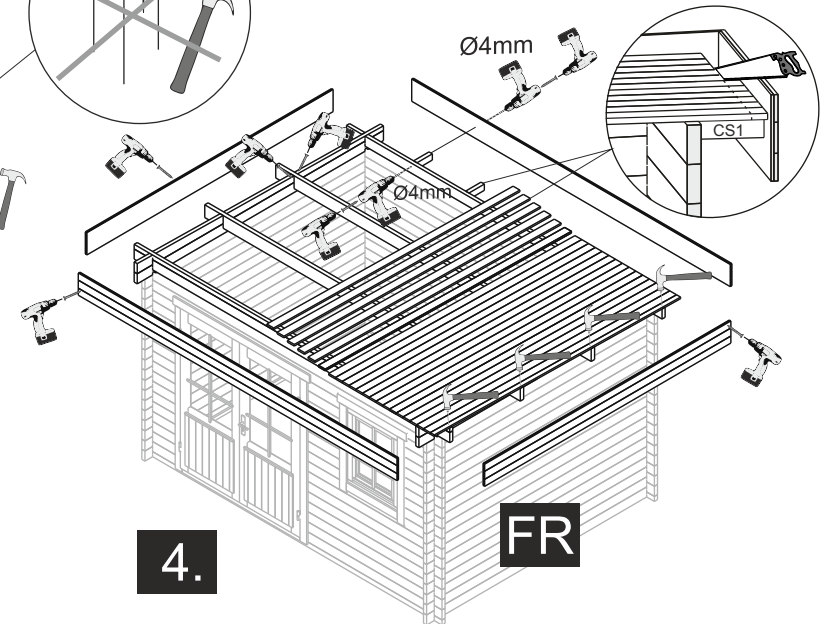
OPTIONS



1. 2.



4.



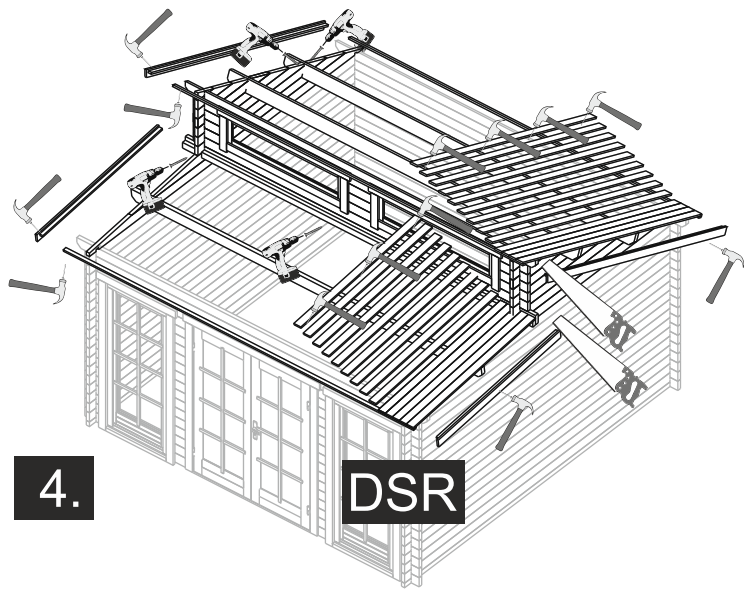
OPTIONS

Ø4mm

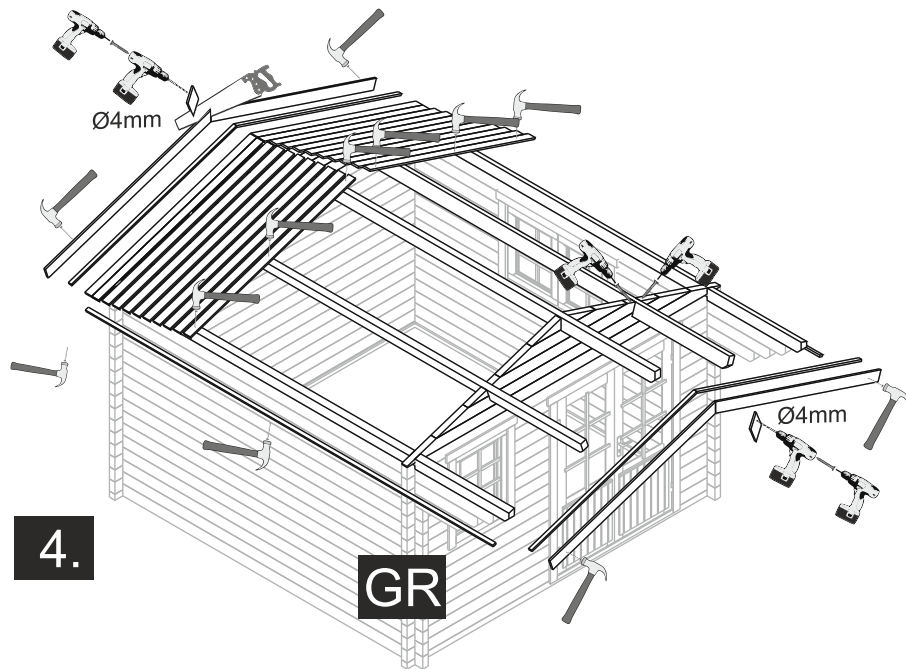
Ø4mm

FR

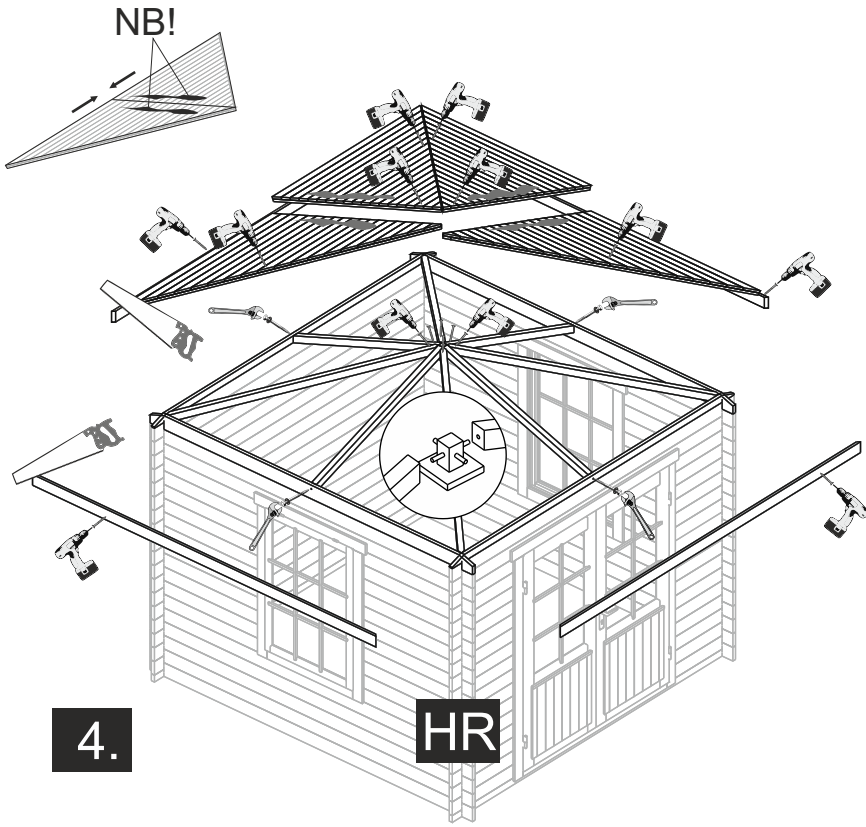
The guide is illustrative. This guide is not project specification.
Der Leitfaden ist illustrativ. Dieser Leitfaden ist keine Projektspezifikation.
De gids is illustratief. Deze gids is geen projectspecificatie.



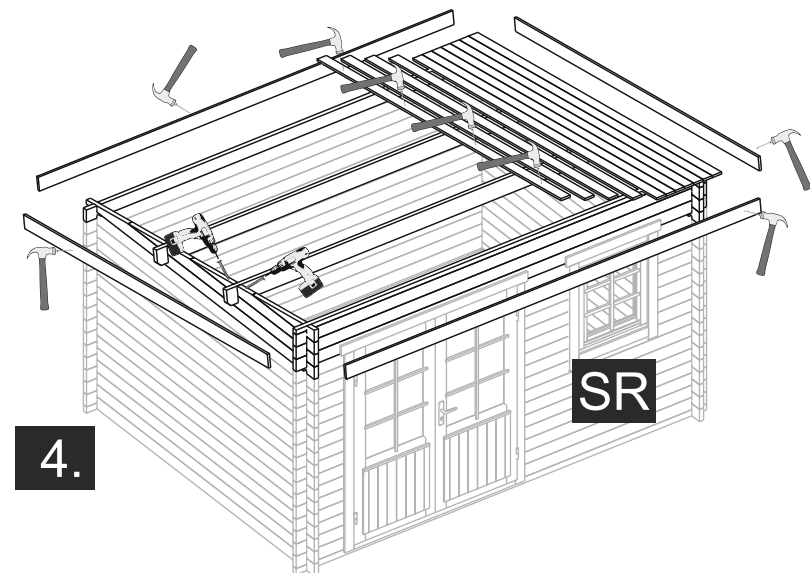
DSR



GR



HR



SR

OPTIONS

