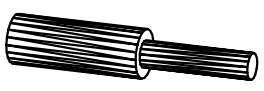
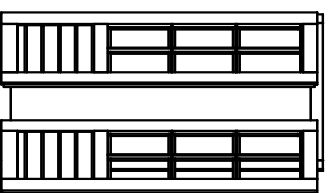


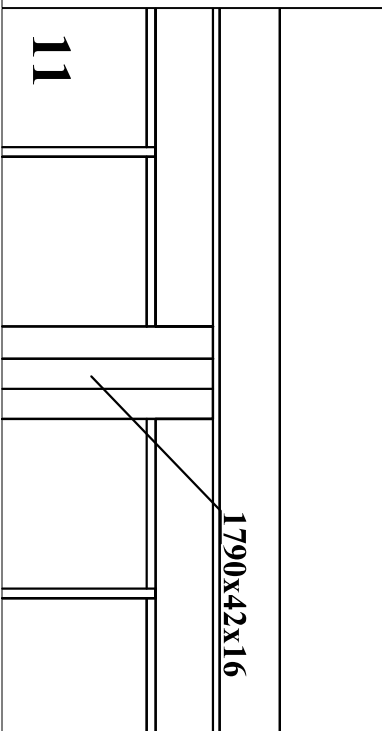
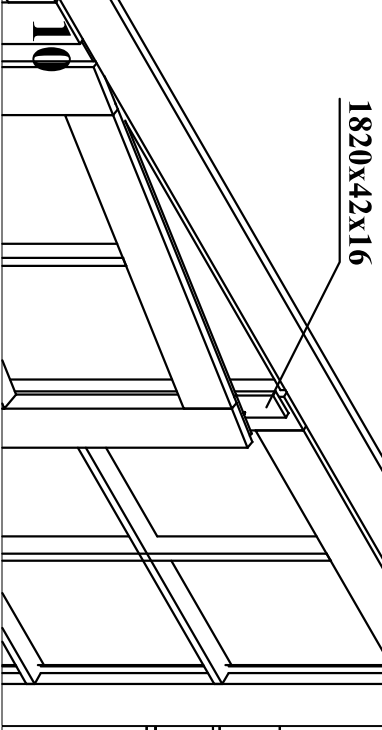
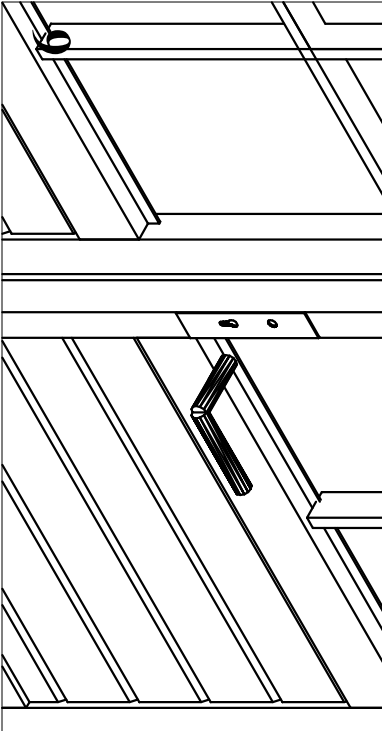
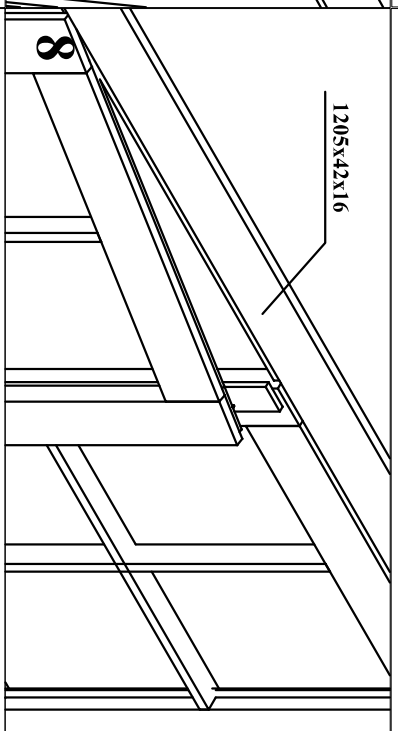
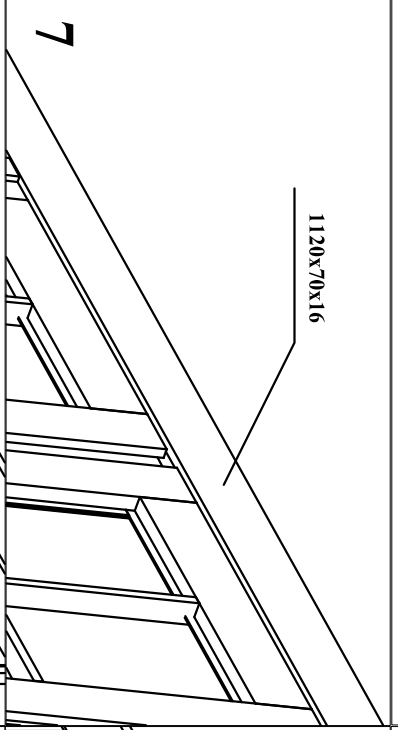
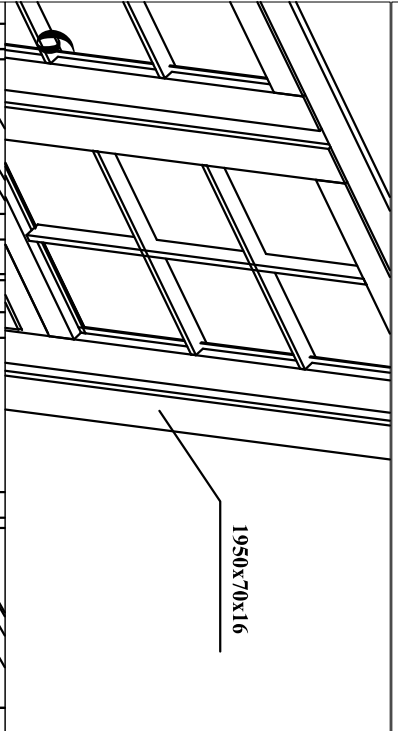
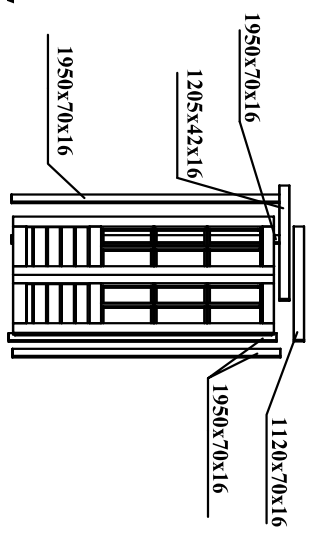
3.1



4



5



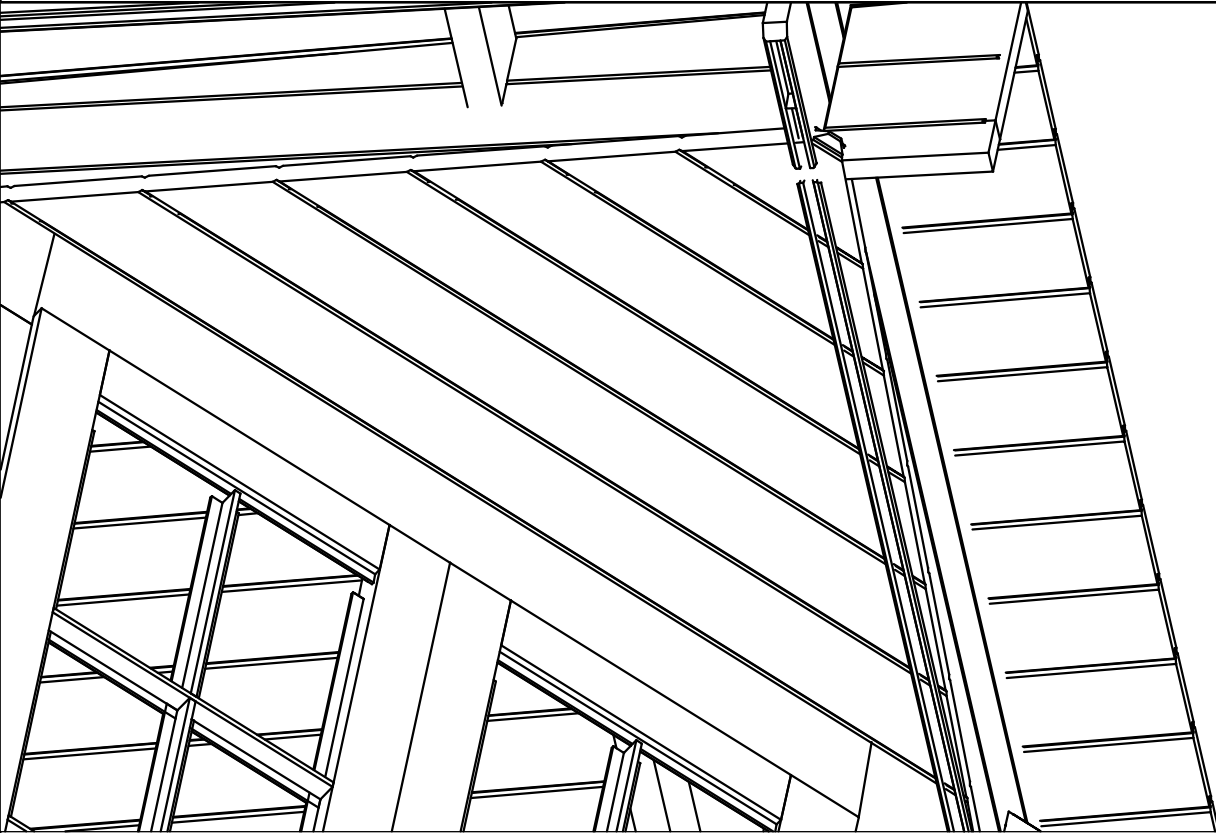
BUILDING CODE

STIG

WALL LOG (mm): 28

SIZE (mm): 5000x3000

ISOMETRIC ROOF'S CONSTRUCTION



PACKAGE NR.:

MNFCT. ORDER NR.:

CONTROL 1

CONTROL 2

SIGNATURE

SIGNATURE

PAGE/PAGES:

7/7

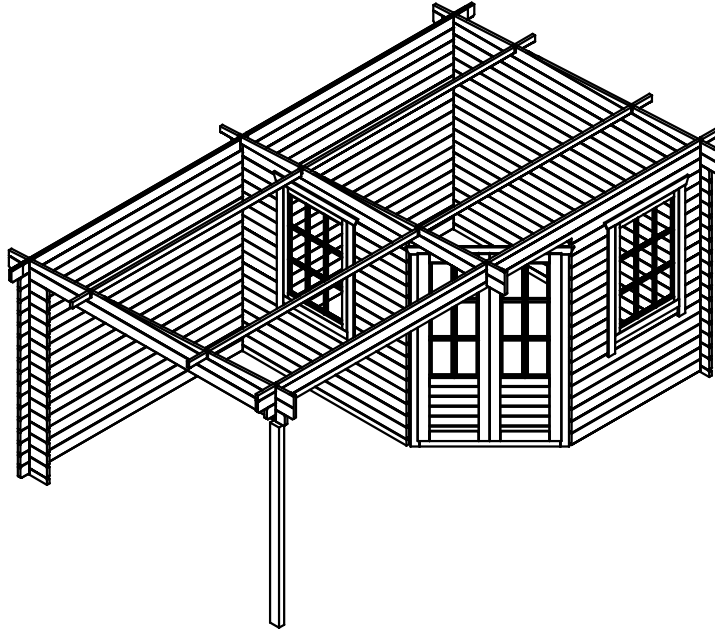
BUILDING CODE

STIG

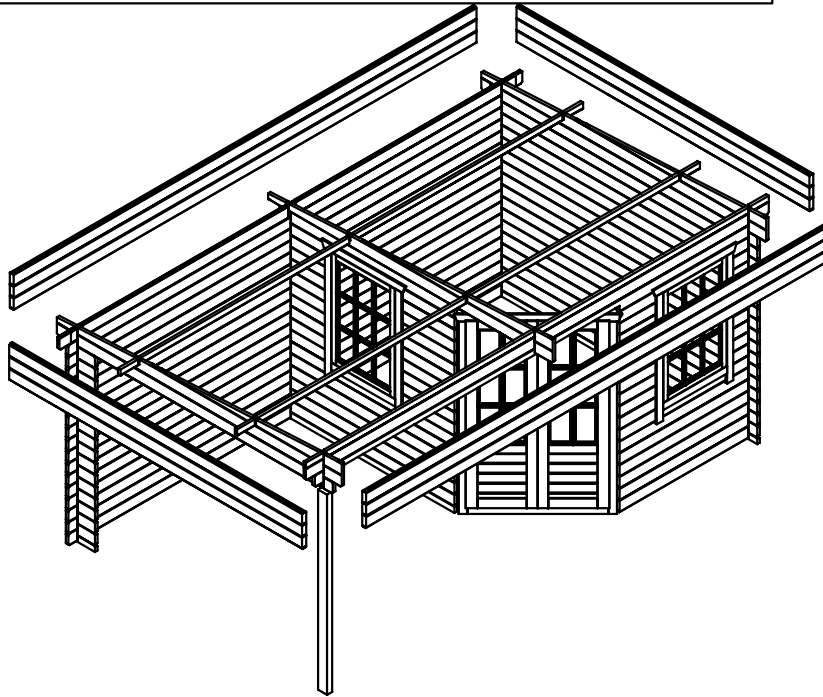
WALL LOG (mm): 28

SIZE (mm): 5000x3000

CONSTRUCCION 3



CONSTRUCCION 4



PACKAGE NR.:

MNFCT. ORDER NR.:

CONTROL 1

CONTROL 2

SIGNATURE

SIGNATURE

PAGE/PAGES: **6/7**

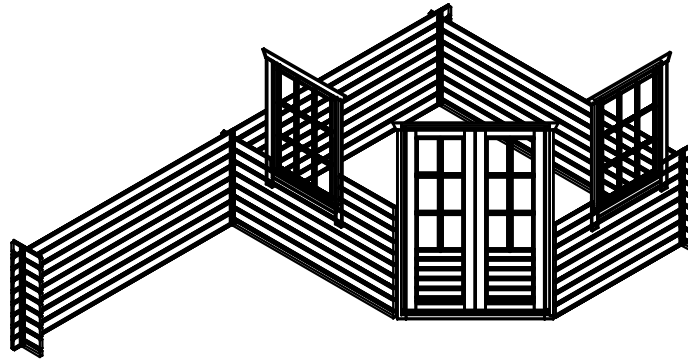
BUILDING CODE

STIG

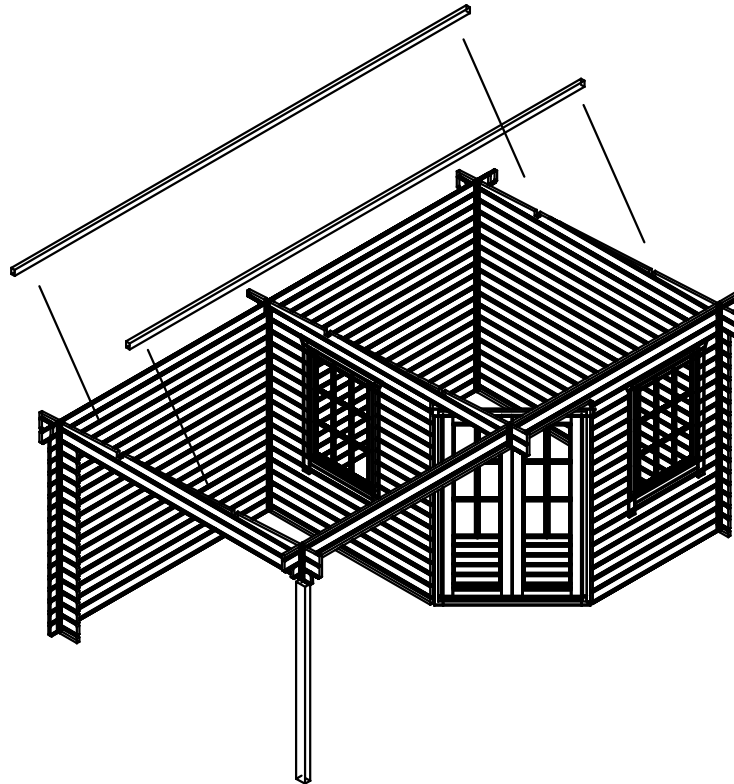
WALL LOG (mm): 28

SIZE (mm): 5000x3000

CONSTRUCCION 1



CONSTRUCCION 2



PACKAGE NR.:

MNFCT. ORDER NR.:

CONTROL 1

CONTROL 2

SIGNATURE

SIGNATURE

PAGE/PAGES: **5/7**

BUILDING CODE

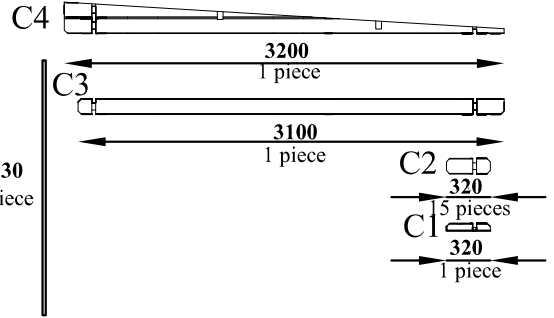
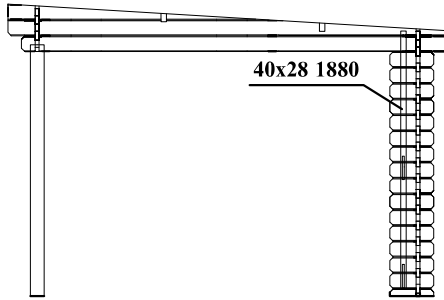
STIG

WALL LOG (mm): 28

SIZE (mm): 5000x3000

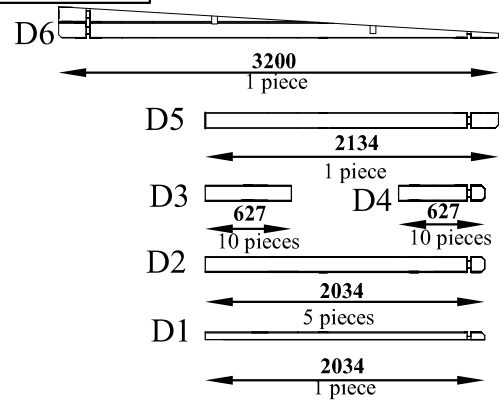
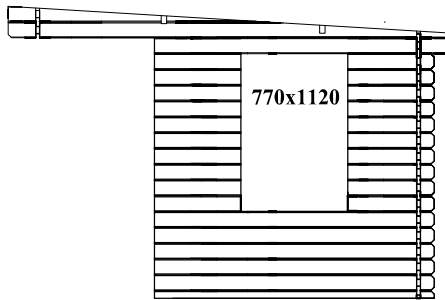
LEFT VIEW

Ⓒ



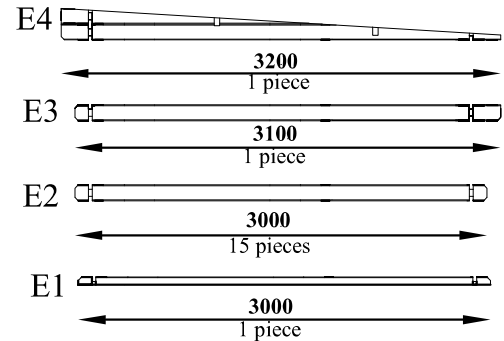
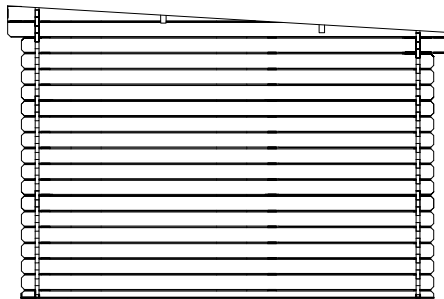
MIDDLE VIEW

Ⓓ



MIDDLE VIEW

Ⓔ



PACKAGE NR.:

MNFCT. ORDER NR.:

CONTROL 1

CONTROL 2

SIGNATURE

SIGNATURE

PAGE/PAGES:

4/7

BUILDING CODE

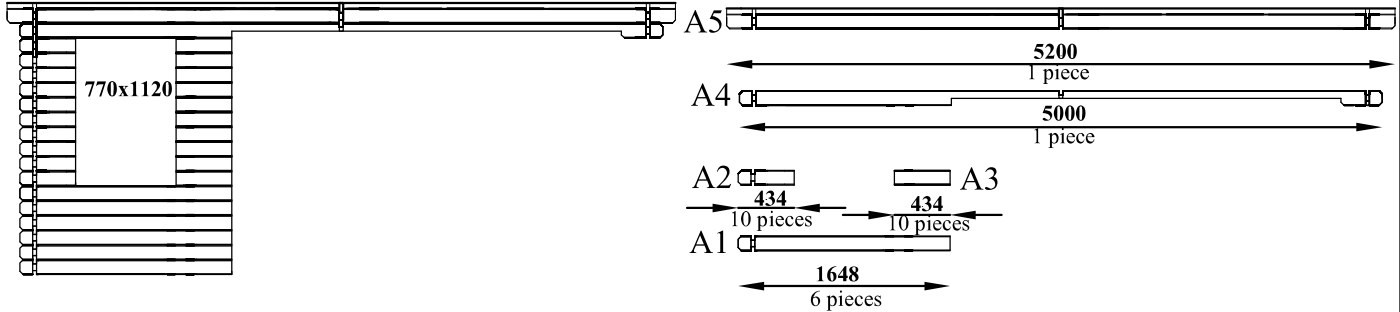
STIG

WALL LOG (mm): 28

SIZE (mm): 5000x3000

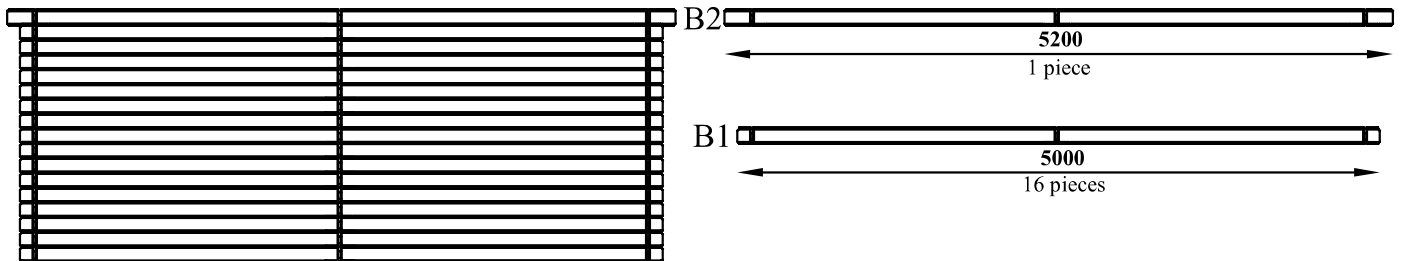
FRONT VIEW

(A)



BACK VIEW

(B)



PACKAGE NR.:

MNFCT. ORDER NR.:

CONTROL 1

CONTROL 2

SIGNATURE

SIGNATURE

PAGE/PAGES:

3/7

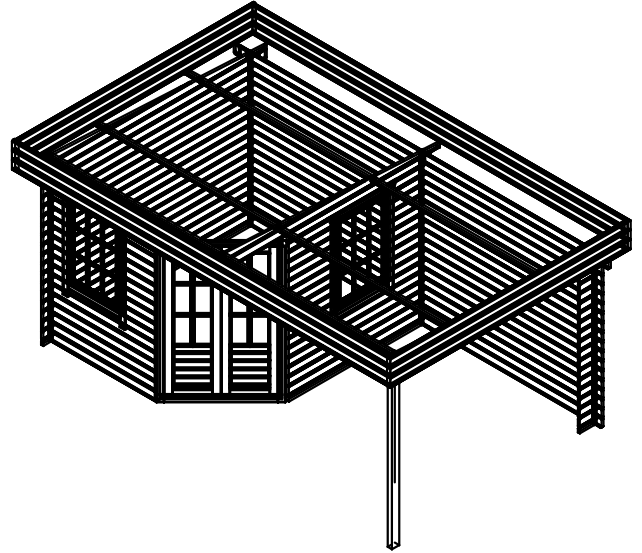
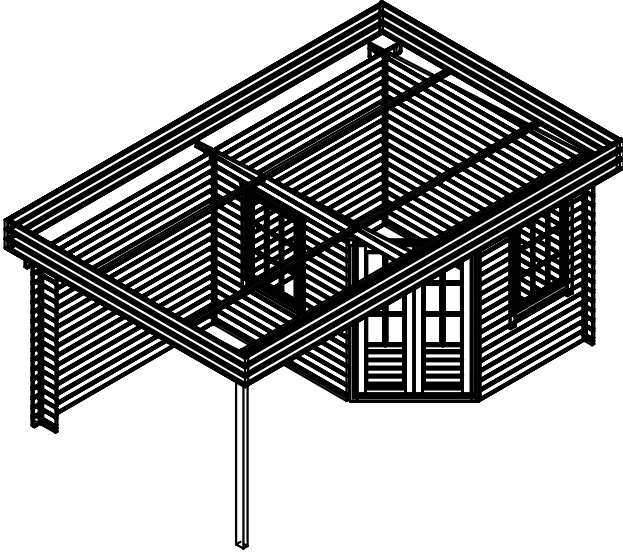
BUILDING CODE

STIG

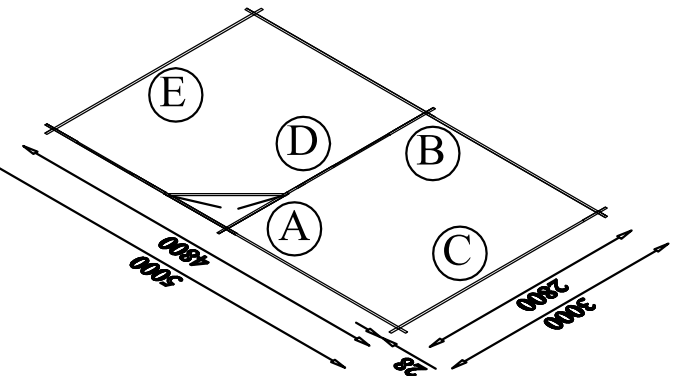
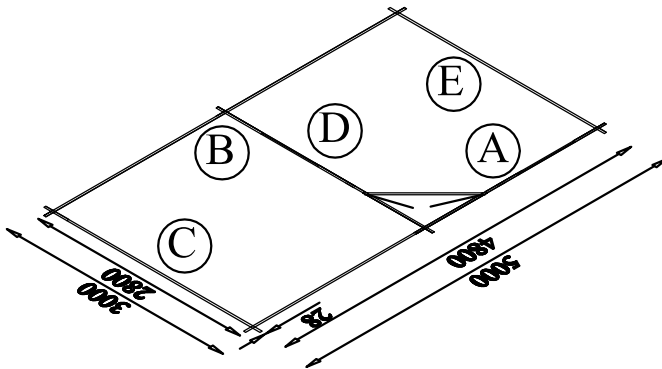
WALL LOG (mm): 28

SIZE (mm): 5000x3000

ISOMETRIC VIEW



TOP VIEW



PACKAGE NR.:

MNFCT. ORDER NR.:

CONTROL 1

CONTROL 2

SIGNATURE

SIGNATURE

PAGE/PAGES: **2/7**

Always keep the package number saved! Without package number their is no guarantee.:

Package number:

WALL LOG (mm): 28

BUILDING CODE

STIG

SIZE (mm): 5000x3000

COMPONENT SPECIFICATION

NUMBER	COMPONENT FUNCTION	COMPONENT CODE	VIEW	SIDE VIEW	DIMENSIONS (mm)			QUANTITY (psc.)
					LENGHT	WIDTH	THICKNESS	
1	Wall board	A1			1648	115	28	6
2	Wall board	A2			434	115	28	10
3	Wall board	A3			434	115	28	10
4	Wall board	A4			5000	115	28	1
5	Wall board	A5			5200	115	28	1
6	Wall board	B1			5000	115	28	16
7	Wall board	B2			5200	115	28	1
8	Wall board	C2			320	115	28	15
9	Wall board	C3,E3			3100	115	28	2
10	Wall board	E2			3000	115	28	15
11	Wall board	D3			627	115	28	10
12	Wall board	D4			627	115	28	10
13	Wall board	D2			2034	115	28	5
14	Wall board	D5			2134	115	28	1
15	Wall board							
16	Wall board							
17	Wall board							
18	Wall board	E1			3000	115	28	1
19	Wall board	D1			2034	60	28	1
20	Wall board	C1			320	60	28	1
21	Apex	C4, D6, E4				28	3	
22	Bracer				1880	40	28	1
23	Door	D-4			1200	1880		1
24	Window	W-1			770	1120		2
25	Roof board				3150	110	19	48
26	Beam				5200	120	40	2
27	Covering board				5238/3200	110	19	2/2
28	Column				1830	100	60	1
29								
30								

PACKAGE NR.:

MNFCT. ORDER NR.:

CONTROL 1

SIGNATURE

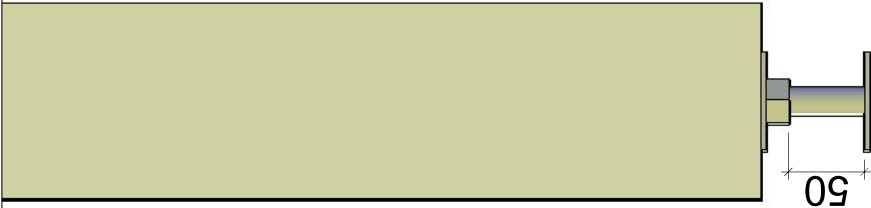
CONTROL 2

SIGNATURE

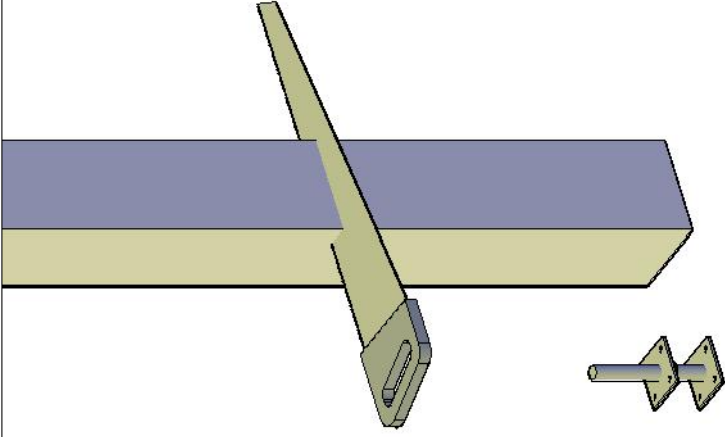
PAGE/PAGES:

1/7

Cutting support post / Schneiden der Stützpfosten



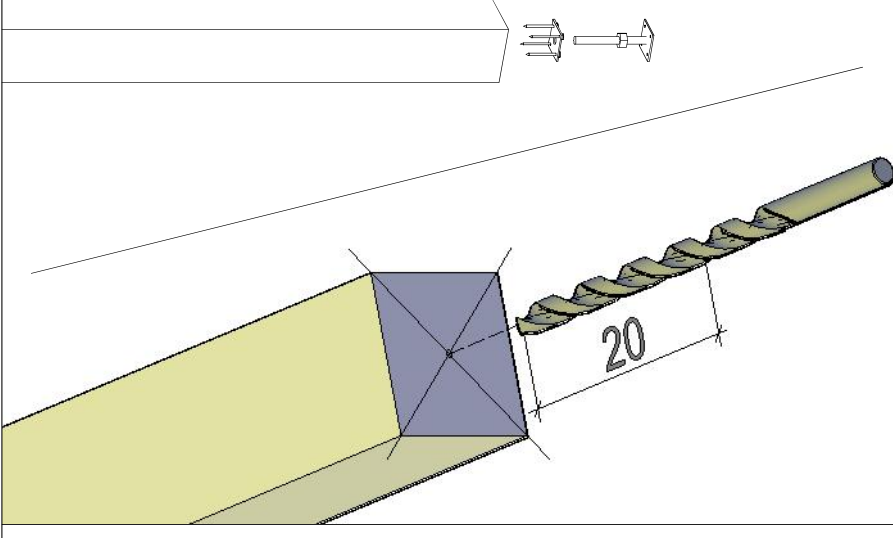
- * Adjustment space for post support should be at least 50mm.
- * Einstellraum für die Pfostenstütze muss mindestens 50mm sein.



- * Support post has extra length for various conditions. Must be sawn to suitable length on spot considering local conditions.
- * Stützpfosten hat extra Länge für verschiedene Bedingungen. Muss vor Ort unter Berücksichtigung der örtlichen Gegebenheiten zu einer geeigneten Länge gesägt werden.



- * In some cases you need to drill a new hole for a post support. Find a matching drill bit.
- * In einigen Fällen müssen Sie ein neues Loch für die Pfostenstütze bohren. Finden Sie hier den passenden Bohrer.



- * Mark the center of the post and drill a new 20cm deep hole. Continue building.
- * Markieren Sie die Mitte des pfostens und bohren Sie ein neues 20cm tiefes Loch. Danach mit Aufbau weiter machen.